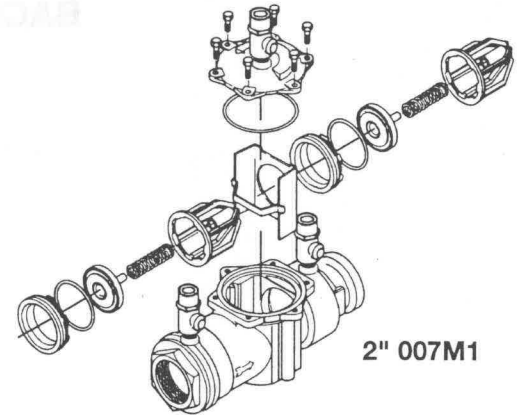
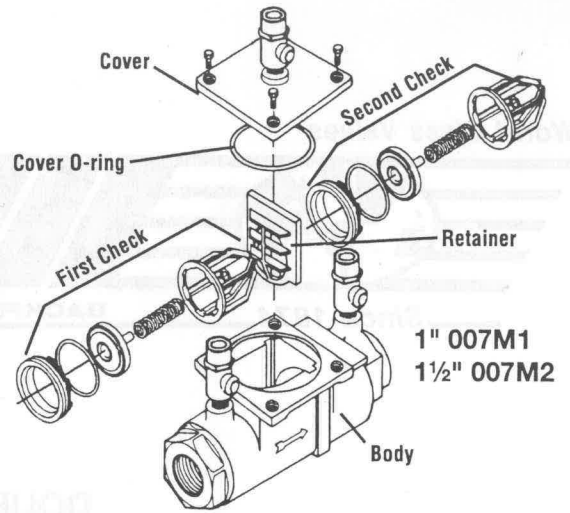
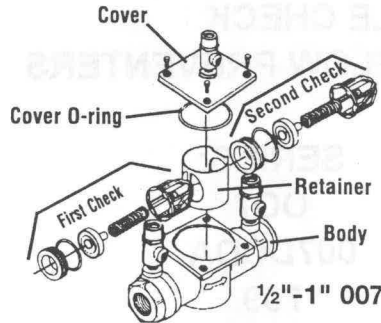
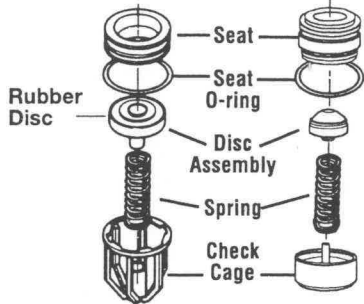
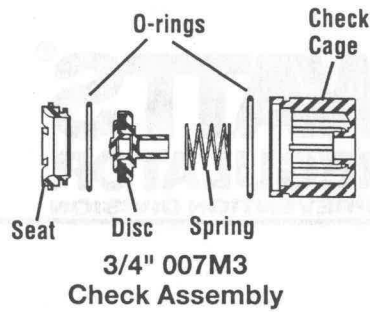


Series 007

Double Check Valve

Sizes 1/2" - 2"



***Note:** Rubber seat disc can be replaced. However, disc holder and disc retainer are permanently bonded to prevent failure.

Repair Kits:

When ordering specify Ordering No., Kit No., and Valve Size.

Ordering No.	Kit No.	Size
Check Kits: 1st or 2nd Check		
0887193	RK 007 CK4	1/2"
0887026	RK 007M1 CK4	3/4" - 1"
0887377	*RK SS007 CK4	1/2"
0888070	*RK SS007M3 CK1	1/2" - 3/4"
0888071	*RK SS007M3 CK2	1/2" - 3/4"
0887393	*RK SS007M2 CK1	3/4"
0887397	*RK SS007M2 CK2	3/4"
0887373	*RK SS007M1 CK4	1"

1st Check

0887023	RK 007 CK1	3/4" - 1"
0887045	RK 007M2 CK1	3/4"
0888550	RK 007M3 CK1	3/4"
0887025	RK 007 CK1	1 1/2" - 2"
0887186	RK 007M1 CK1	1 1/2" - 2"
0887719	RK 007M2 CK1	1 1/4" - 1 1/2"

2nd Check

0887024	RK 007 CK2	3/4" - 1"
0887046	RK 007M2 CK2	3/4"
0888551	RK 007M3 CK2	3/4"
0887028	RK 007 CK2	1 1/2" - 2"
0887187	RK 007M1 CK2	1 1/2" - 2"
0887720	RK 007M2 CK2	1 1/4" - 1 1/2"

Stainless Steel 1st or 2nd Check

0887022	RK 007 CK1 SS	3/4" - 1"
0887030	RK 007 CK2 SS	3/4" - 1"
0887032	RK 007M1 CK4 SS	3/4" - 1"
0887031	RK 007 CK1 SS	1 1/2" - 2"
0887035	RK 007 CK2 SS	1 1/2" - 2"
0887189	RK 007M1 CK1 SS	1 1/2" - 2"
0887190	RK 007M1 CK2 SS	1 1/2" - 2"

Kit includes: Seat, seat o-ring, disc assembly, spring, check cage, cover o-ring.

Ordering No.	Kit No.	Size
Cover Kit		
887195	RK 007 C	1/2"
887379	RK SS007 C	1/2"
887039	RK 007M2 C	3/4"
887380	RK SS007M2 C	3/4"
888553	RK 007M3 C	3/4"
887381	RK SS007M1 C	1"
887036	RK 007 C	3/4" - 1"
887038	RK 007M1 C	3/4" - 1"
887037	RK 007 C	1 1/2" - 2"
887191	RK 007M1 C	1 1/2" - 2"
887722	RK 007M2 C	1 1/4" - 1 1/2"

Kit consist of: Cover and Cover o-ring.

Complete Rubber Parts

887194	RK 007 RT	1/2"
887378	RK SS007 RT	1/2"
887394	RK SS007M2 RT	3/4"
887043	RK 007M2 RT	3/4"
888552	RK 007M3 RT	3/4"
887374	RK SS007M1 RT	1"
887040	RK 007 RT	3/4" - 1"
887042	RK 007M1 RT	3/4" - 1"
887041	RK 007 RT	1 1/2" - 2"
887188	RK 007M1 RT	1 1/2" - 2"
887721	RK 007M2 RT	1 1/4" - 1 1/2"

Kit consist of: Cover o-ring, Two disc assemblies and Two seat o-rings.

Retainer

1047053	99AB47	1/2" 007
1047382	DC7CA47	3/4" - 1" M1 007
1047394	99BA47	3/4" M2/M3 007
1047001	99FA47	1 1/2" - 2" 007
1047112	DCFA47	1 1/2" - 2" M1 007
1047099	DCEA47-P	1 1/4" - 1 1/2" M2 007