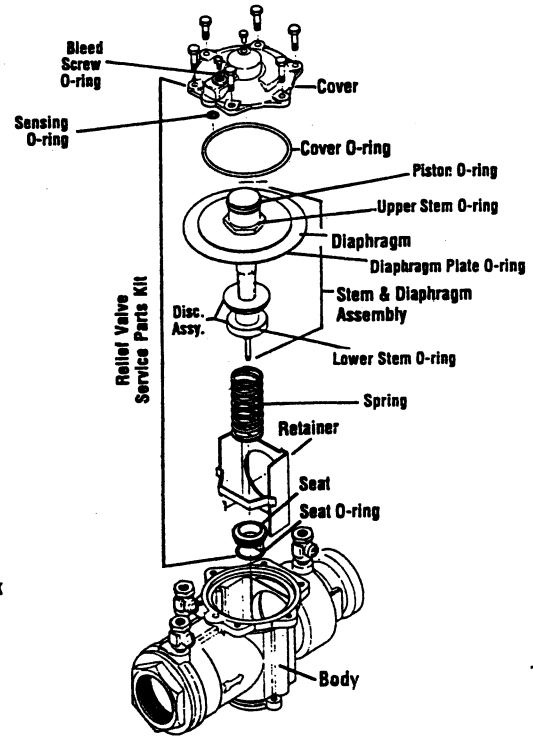
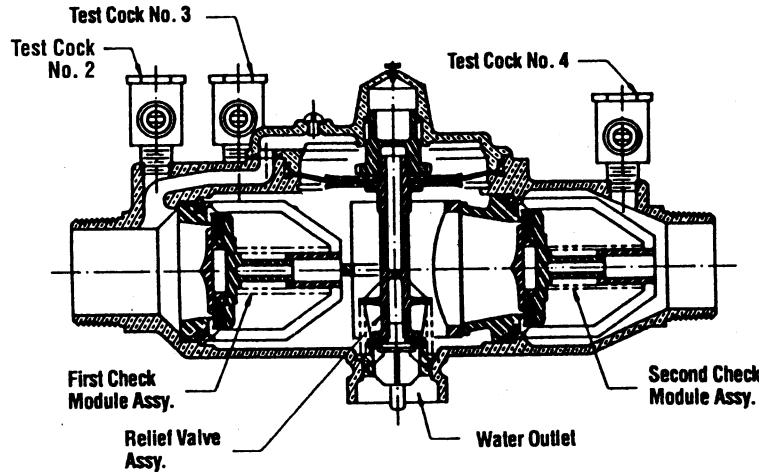


Series 009 1/4" - 2"

Reduced Pressure Zone Backflow Preventers



Relief valve kits:

When ordering specify EDP No., Kit No., and Valve Size.

1/4" - 1"

EDP No.	Kit No.	Size
Relief Valve Kits:		
887294	RK 009 VT	1/4" - 1/2"
887509	RK SS009 VT	1/2"
887002	RK 009M2 VT	3/4"
887520	RK SS009M2 VT	3/4"
888524	RK 009M3 VT	3/4"
887015	RK 009 VT	3/4" - 1"
887503	RK SS009VT	1"
887785	RK 009M2 VT	1"

Kit consists of: seat, seat o-ring, stem & diaphragm assembly, Stem o-ring, cover o-ring and RV spring.

Relief Valve Rubber Parts Kits:

EDP No.	Kit No.	Size
887295	RK 009 RV	1/4" - 1/2"
887510	RK SS009 RV	1/2"
886998	RK 009M2 RV	3/4"
887519	RK SS009M2 RV	3/4"
888523	RK 009M3 RV	3/4"
887181	RK 009 RV	3/4" - 1"
887529	RK SS009 RV	3/4" - 1"
887786	RK 009M2 RV	1"

Kit consists of: diaphragm, disc assembly, stem o-rings, seat o-ring and cover o-ring.

Total Rubber Parts Kits:

EDP No.	Kit No.	Size
887297	RK 009 RT	1/4" - 1/2"
887511	RK SS009 RT	1/2"
886999	RK 009M2 RT	3/4"
887521	RK SS009M2 RT	3/4"
888526	RK 009M3 RT	3/4"
887182	RK 009 RT	3/4" - 1"
887530	RK SS009 RT	1"
887787	RK 009M2 RT	1"

Kit consists of: diaphragm, two disc assemblies, stem o-rings, cover o-ring, two seat o-rings and RV seat o-ring.

Cover Kits:

EDP No.	Kit No.	Size
887296	RK 009 C	1/4" - 1/2"
887500	RK SS009 C	1/2"
887004	RK 009M2 C	3/4"
887501	RK SS009M2 C	3/4"
888525	RK 009M3 C	3/4"
887013	RK 009 C	3/4"-1"
887502	RK SS009 C	1"
887788	RK 009M2 C	1"

Kit consists of: cover and cover o-ring.

1 1/4" - 2"

EDP No.	Kit No.	Size
Relief Valve Total Kit:		
887307	RK 009M2 VT	1 1/4" - 1 1/2"
887277	RK 009M1 VT	1 1/4" - 2"
887016	RK 009 VT	1 1/4" - 2"
887545	RK 009M2 VT	2"

Kit consists of: RV assembly, seat, seat o-ring, cover o-ring, sensing passage o-ring and upper stem o-ring.

Relief Valve Rubber Parts Kit:

EDP No.	Kit No.	Size
887306	RK 009M2 RV	1 1/4" - 1 1/2"
887276	RK 009M1 RV	1 1/4" - 2"
887184	RK 009 RV	1 1/4" - 2"
887544	RK 009M2 RV	2"

Kit consists of: diaphragm, seat o-ring, cover o-ring and sensing passage o-ring.

Complete Rubber Parts Kit:

EDP No.	Kit No.	Size
887309	RK 009M2 RT	1 1/4" - 1 1/2"
887280	RK 009M1 RT	1 1/4" - 2"
887185	RK 009 RT	1 1/4" - 2"
887547	RK 009M2 RT	2"

Kit consists of: two check assembly o-rings, two disc assemblies, one cover o-ring, one RV diaphragm, one RV seat o-ring, one sensing passage o-ring, one diaphragm plate o-ring, one RV lower stem o-ring, one RV upper stem o-ring, one RV disc assembly and one bleed screw o-ring.

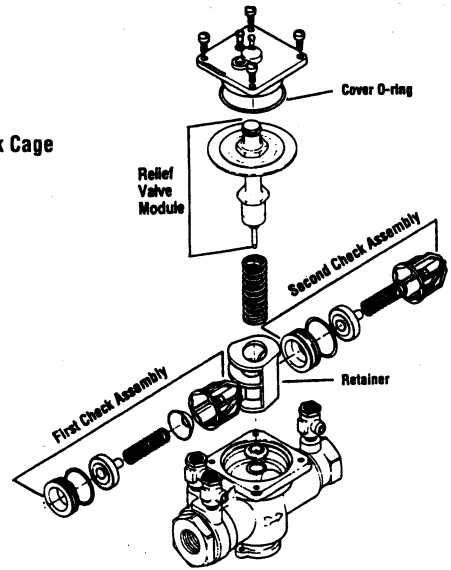
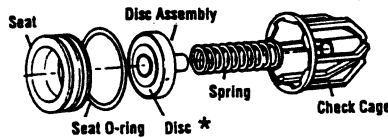
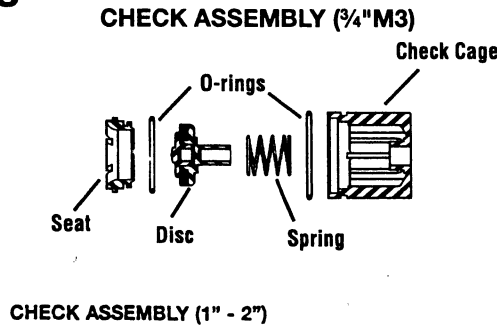
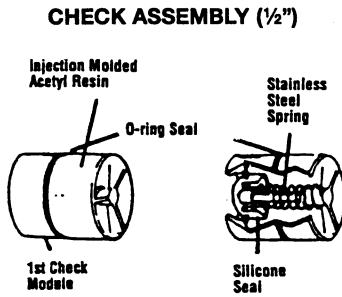
Cover Kit:

EDP No.	Kit No.	Size
887308	RK 009M2 C	1 1/4" - 1 1/2"
887278	RK 009M1 C	1 1/4" - 2"
887014	RK 009 C	1 1/4" - 2"
887546	RK 009M2 C	2"

Kit consists of: cover, cover o-ring sensing passage o-ring, bleed screw o-ring, vent hood and bleed screw.

Series 009 1/4" - 2"

Reduced Pressure Zone Backflow Preventers



***Note:** Rubber seat disc can be replaced. However, disc holder and disc retainer are permanently bonded to prevent failure.

Check valve kits:

When ordering specify EDP No., Kit No., and Valve Size.

1/4" - 1"

EDP No.	Kit No.	Size
First Check Kits:		
887291	RK 009 CK1	1/4" - 1/2"
887505	RK SS009 CK1	1/2"
887000	RK 009M2 CK1	3/4"
887515	RK SS009M2 CK1	3/4"
888520	RK 009M3 CK1	3/4"
887005	RK 009 CK1	3/4" - 1"
887009	RK 009 CK1SS	3/4" - 1"
887525	RK SS009 CK1	1"
887789	RK 009 M2 CK1	1"

Kit consists of: check assembly and cover o-ring.

Second Check Kits:

887292	RK 009 CK2	1/4" - 1/2"
887506	RK SS009 CK2	1/2"
887001	RK 009M2 CK2	3/4"
887516	RK SS009M2 CK2	3/4"
888521	RK 009M3 CK2	3/4"
887007	RK 009 CK2	3/4" - 1"
887011	RK 009 CK2SS	3/4" - 1"
887526	RK SS009 CK2	1"
887790	RK 009M2 CK2	1"

Kit consists of: check assembly and cover o-ring.

Check Rubber Parts:

887293	RK 009 RC3	1/4" - 1/2"
887507	RK SS009 RC1	1/2"
887508	RK SS009 RC2	1/2"
887003	RK 009M2 RC3	3/4"
887517	RK SS009M2 RC1	3/4"
887518	RK SS009M2 RC2	3/4"
888522	RK 009M3 RC3	3/4"
887017	RK 009 RC1	3/4" - 1"
887180	RK 009 RC2	3/4" - 1"
887527	RK 009 RC1	1"
887528	RK 009 RC2	1"
887791	RK 009M2 RC1	1"
887792	RK 009M2 RC2	1"

Kit consists of: disc, cover o-ring and seat o-ring.

Retainers

1047053	99AB47	1/4" - 1/2"	
1047394	99BA47	3/4"	M2-M3
1047001	99FA47	1 1/4" - 2"	
1047001	99FA47	1 1/4" - 2"	M1-2*M2
1047104	99EA47	1 1/4" - 1 1/2"	M2

1 1/4" - 2"

EDP No.	Kit No.	Size
First Check Kit:		
887300	RK 009M2 CK1	1 1/4" - 1 1/2"
887270	RK 009M1 CK1	1 1/4" - 2"
887006	RK 009 CK1	1 1/4" - 2"
887010	RK 009 CK1SS	1 1/4" - 2"
887272	RK 009MI CK1SS	1 1/4" - 2"
887540	RK 009M2 CK1	2"

Kit consists of: first check assembly, cover o-ring and sensing passage o-ring.

Second Check Kit:

887301	RK 009M2 CK2	1 1/4" - 1 1/2"
887271	RK 009M1 CK2	1 1/4" - 2"
887008	RK 009 CK2	1 1/4" - 2"
887012	RK 009 CK2SS	1 1/4" - 2"
887273	RK 009M1 CK2SS	1 1/4" - 2"
887541	RK 009M2 CK2	2"

Kit consists of: second check assembly, cover o-ring and sensing passage o-ring.

First Check Rubber Parts Kit:

887304	RK 009M2 RC1	1 1/4" - 1 1/2"
887274	RK 009M1 RC1	1 1/4" - 2"
887018	RK 009 RC1	1 1/4" - 2"
887542	RK 009M2 RC1	2"

Kit consists of: first check assembly o-ring, disc holder assembly, cover o-ring and sensing passage o-ring.

Second Check Rubber Parts Kit:

887305	RK 009M2 RC2	1 1/4" - 1 1/2"
887275	RK 009M1 RC2	1 1/4" - 2"
887183	RK 009 RC2	1 1/4" - 2"
887543	RK 009M2 RC2	2"

Kit consists of: second check assembly o-ring, disc holder assembly, cover o-ring and sensing passage o-ring.