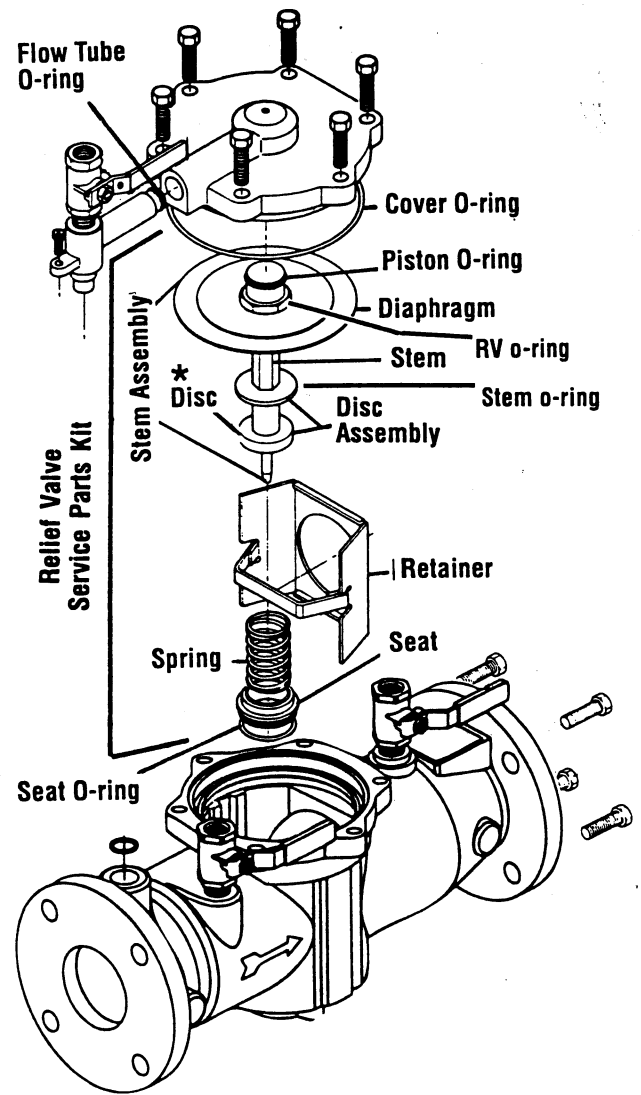
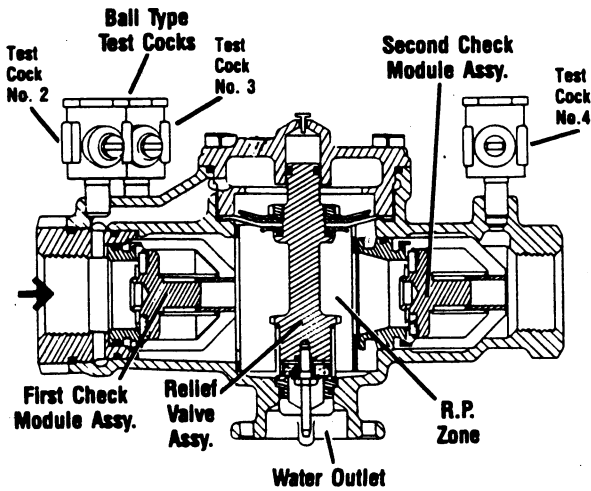


Series 009 2½" - 3"

Reduced Pressure Zone Backflow Preventers



Relief valve kits:

When ordering specify EDP No., Kit No., and Valve Size.

EDP No.	Kit No.	Size
Total Relief Valve Kit:		
887021	RK 009 VT	2½" - 3"
Relief Valve Rubber Parts:		
887206	RK 009 RV	2½" - 3"

Kit consists of: seat, stem assembly, spring, two piston o-rings, flow tube o-ring and cover o-ring.

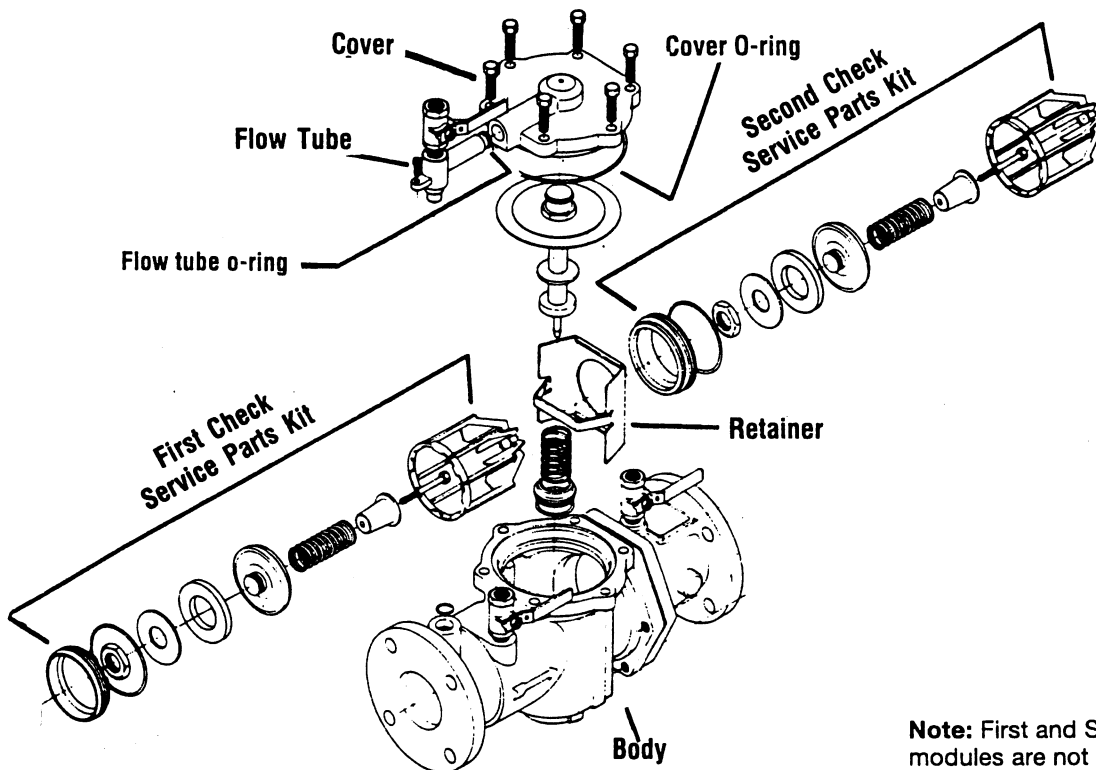
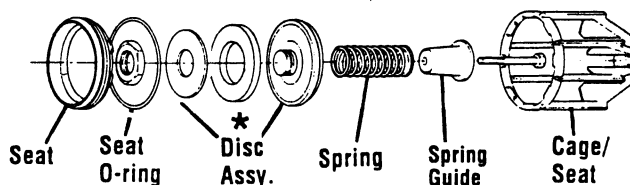
Kit consists of: diaphragm, disc, molded disc assembly, piston o-ring, stem o-ring and cover o-ring.

Stem o-ring located between stem and piston O-ring.

Series 009 2½" - 3"

Reduced Pressure Zone Backflow Preventers

Check Assemblies



Note: First and Second Check Valve modules are not interchangeable.

Check valve kits:

***Note:** Rubber seat disc can be replaced. However, disc holder and disc retainer are permanently bonded to prevent failure.

When ordering specify EDP No., Kit No., and Valve Size.

EDP No.	Kit No.	Size
First Check Parts Kit:		
887019	RK 009 CK1	2½" - 3"

EDP No.	Kit No.	Size
Second Check Parts Kit:		
887020	RK 009 CK2	2½" - 3"

Kit consists of: check assembly, cover o-ring and flow tube o-ring.

EDP No.	Kit No.	Size
First Check Rubber Parts Kit:		
887281	RK 009 RC1	2½" - 3"

EDP No.	Kit No.	Size
Second Check Rubber Parts Kit:		
887205	RK 009 RC2	2½" - 3"

Kit consists of: disc, seat o-ring, cover o-ring and flow tube o-ring.

EDP No.	Kit No.	Size
Total Tubber Parts:		
887207	RK 009 RT	2½" - 3"

Kit consists of: diaphragm, two molded disc assemblies, two seat o-rings, RV o-ring, two piston o-rings, RV stem o-ring, flow tube o-ring and cover o-ring.

EDP No.	Kit No.	Size
Cover Kit:		
887282	RK 009 C	2½" - 3"

Kit consists of: cover, cover o-ring and flow tube o-ring.

EDP No.	Kit No.	Size
Seat Kit:		
887208	RK 009 S1	2½" - 3"
887209	RK 009 S2	2½" - 3"

Kit consists of: check seat, seat o-ring and cover o-ring.