

# Series 2000B Double Check Valve Assembly 1/2" – 2"

ORDERING CODE	KIT NO.	SIZE
---------------	---------	------

## 1st Check

7016330	ARK 2000B CK4	1/2"
7016331	ARK 2000BM2 CK1	3/4"
7016332	ARK 2000BM3 CK1	3/4"
7016333	ARK 2000BM2 CK4	1"
7016334	ARK 2000BM2 CK1	1 1/4" - 1 1/2"
7016335	ARK 2000BM2 CK1	2"

Kit includes: Seat, Seat O-Ring, Disc Assembly, Spring, Check Cage and Cover O-Ring

## 2nd Check

7016330	ARK 2000B CK4	1/2"
7016337	ARK 2000BM2 CK2	3/4"
7016338	ARK 2000BM3 CK2	3/4"
7016333	ARK 2000BM1 CK4	1"
7016340	ARK 2000BM2 CK2	1 1/4" - 1 1/2"
7016341	ARK 2000BM1 CK2	2"

Kit includes: Seat, Seat O-Ring, Disc Assembly, Spring, Check Cage and Cover O-Ring

## Cover Kit

7016342	ARK 2000B C	1/2"
7016343	ARK 2000BM2 C	3/4"
7016344	ARK 2000BM3 C	3/4"
7016345	ARK 2000BM1 C	1"
0425401	LFARK 2000BM3 C	3/4"
0425402	LFARK 2000BM1 C	1"
7016346	ARK 2000BM2 C	1 1/4" - 1 1/2"
7016347	ARK 2000BM1 C	2"

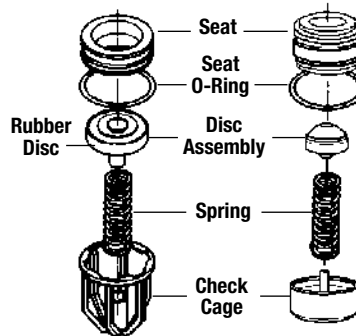
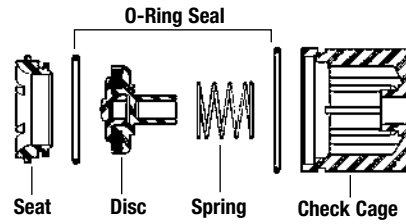
Kit includes: Cover and Cover O-Ring

## Complete Rubber parts

7016348	ARK 2000B RT	1/2"
7016349	ARK 2000BM2 RT	3/4"
7016350	ARK 2000BM3 RT	3/4"
7016351	ARK 2000BM1 RT	1"
7016352	ARK 2000BM2 RT	1 1/4" - 1 1/2"
7016353	ARK 2000BM1 RT	2"

Kit includes: Cover O-Ring, Two Disc Assemblies and Two Seat O-Rings

## Check Assembly 3/4" 2000M3



**Note:** Rubber seat disc can be replaced. However, disc holder and disc retainer are permanently bonded to prevent failure.

