

Series 2001SS Double Check Valve Assembly 2½" – 8" Series 3001SS Double Check Detector Assembly 2½" – 8"

ORDERING CODE	KIT NO.	SIZE
---------------	---------	------

2001SS, 3001SS 1st Check

7010118	ARK 2001SS/3001SS CK1	2½" - 4"
7010119	ARK 2001SS/3001SS CK1	6" - 8"

Kit includes: 1st Check Assembly, Check O-Ring and Lube

2nd Check

7010120	ARK 2001SS/3001SS CK2	2½" - 4"
7010121	ARK 2001SS/3001SS CK2	6" - 8"

Kit includes: 2nd Check Assembly, Check O-Ring and Lube

1st Check Rubber Part Kit

7010122	ARK 2001SS/3001SS RC1	2½" - 4"
7010123	ARK 2001SS/3001SS RC1	6" - 8"

Kit includes: Check Disc and Check O-Ring, C-Clips(2) and Lube

2nd Check Rubber Part Kit

7010124	ARK 2001SS/3001SS RC2	2½" - 4"
7010125	ARK 2001SS/3001SS RC2	6" - 8"

Kit includes: Check Disc and Check O-Ring, C-Clips(2) and Lube

Rubber Total Parts Kit

7010126	ARK 2001SS/3001SS RT	2½" - 4"
7010127	ARK 2001SS/3001SS RT	6" - 8"

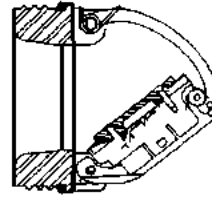
Kit includes: Check Disc (2) and Check O-Ring (2)

Cover Kit

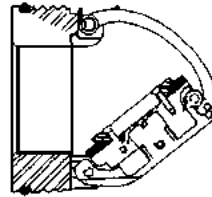
7010090	ARK SS C	2½" - 4"
7010091	ARK SS C	6" - 8"

Kit includes: Cover, Groove Coupler, and Gasket

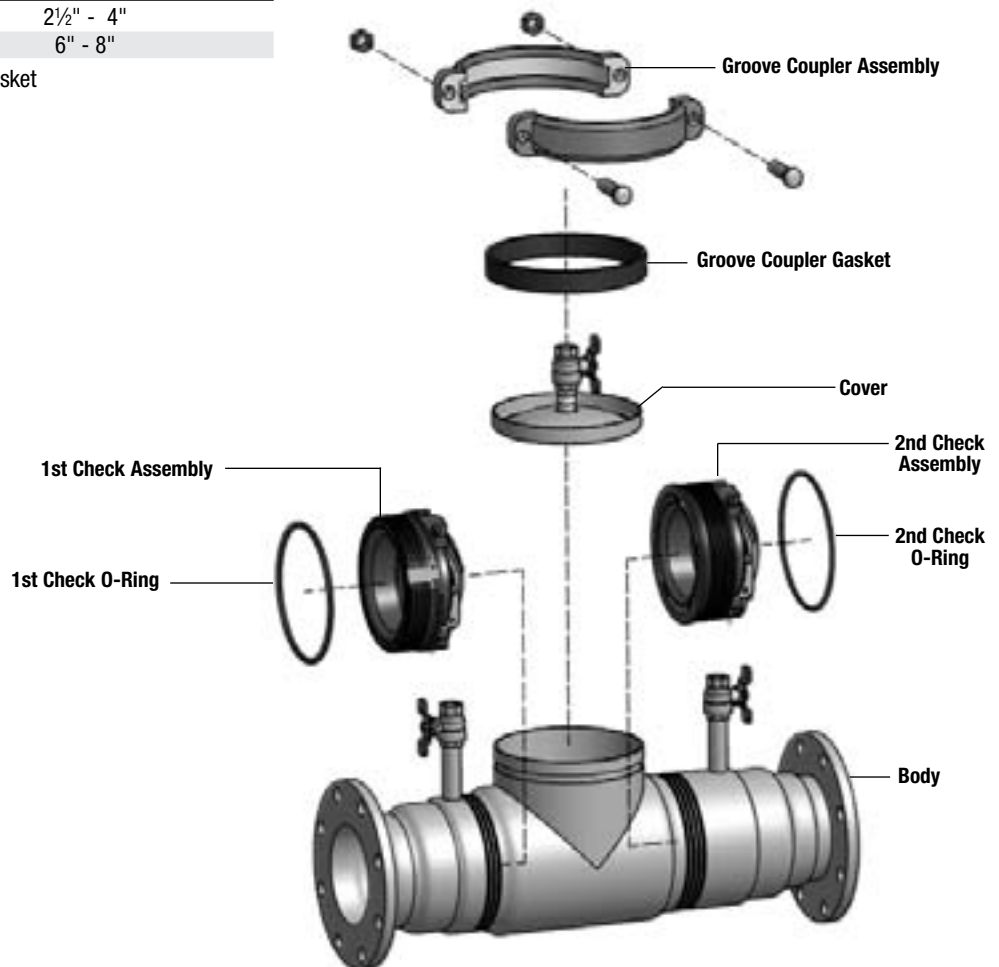
No. 1 Check Assembly



No. 2 Check Assembly



3" – 8" 2001SS/3001SS



Bypass Not Shown