

Series 4000CIV Reduced Pressure Zone Valve 2½" – 3"

ORDERING CODE	KIT NO.	SIZE
---------------	---------	------

First Check Kit

7016206	ARK 4000CIV CK1	2½" - 3"
0425445	LFARK 4000CIV CK1	2½" - 3"

Second Check Kit

7016211	ARK 4000CIV CK2	2½" - 3"
0425446	LFARK 4000CIV CK2	2½" - 3"

Kit includes: Check Assembly, Cover O-Ring and Flow Tube O-Ring.

First Check Rubber Parts Kit

7016216	ARK 4000CIV RC1	2½" - 3"
---------	-----------------	----------

Second Check Rubber Parts Kit

7016221	ARK 4000CIV RC2	2½" - 3"
---------	-----------------	----------

Kit includes: Disc, Seat O-Ring and Flow Tube O-Ring.

Seat Kit

7016226	ARK 4000CIV S	2½" - 3"
0425448	LFARK 4000CIV S	2½" - 3"

Kit includes: Check Seat, Seat O-Ring and Cover O-Ring.

Total Rubber Parts

7016231	ARK 4000CIV RT	2½" - 3"
0425447	LFARK 4000CIV RT	2½" - 3"

Kit includes: Diaphragm, Two Discs, Two Molded Disc Assemblies, Two Seat O-Rings, RV-O-Ring, Two Piston O-Rings, RV Stem O-Ring, Flow Tube O-Rings and Cover O-Ring.

Relief Valve Total Kit

7016270	ARK 4000CIV VT	2½" - 3"
0425443	LFARK 4000CIV VT	2½" - 3"

Kit includes: Seat, Stem Assembly, Spring, Two Piston O-Rings, Flow Tube O-Rings and Cover O-Ring.

Relief Valve Rubber Parts Kit

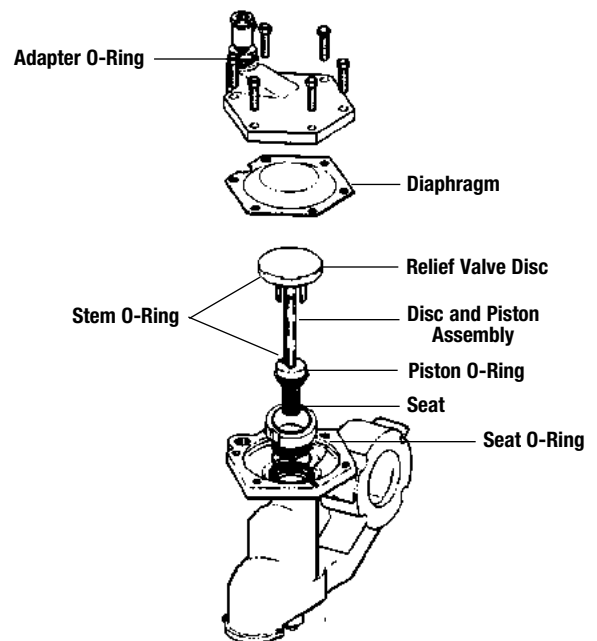
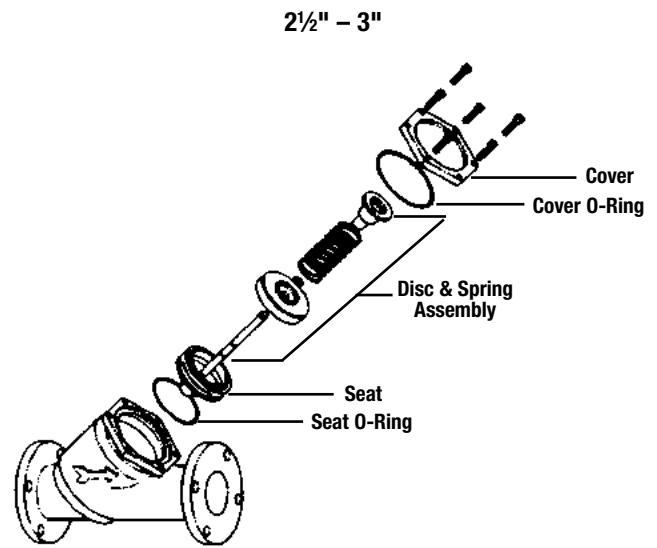
7016266	ARK 4000CIV RV	2½" - 3"
0425444	LFARK 4000CIV RV	2½" - 3"

Kit includes: Diaphragm, Disc, Molded Disc Assembly, Piston O-Rings, Stem O-Ring and Cover O-Ring.

Cover Kit

7016274	ARK 4000CIV C	2½" - 3"
---------	---------------	----------

Kit includes: Cover, Cover O-Ring and Flow Tube O-Ring.



Series 4000CIV Reduced Pressure Zone Assembly 4" – 10"

ORDERING CODE	KIT NO.	SIZE
---------------	---------	------

First Check Kits

7016207	ARK 4000CIV CK1	4"
7016208	ARK 4000CIV CK1	6"
7016209	ARK 4000CIV CK1	8"
7016210	ARK 4000CIV CK1	10"
0425457	LFLFARK 4000CIV CK1	4"
0425458	LFLFARK 4000CIV CK1	6"
0425459	LFLFARK 4000CIV CK1	8"
0425460	LFLFARK 4000CIV CK1	10"

Second Check Kits

7016212	ARK 4000CIV CK2	4"
7016213	ARK 4000CIV CK2	6"
7016214	ARK 4000CIV CK2	8"
7016215	ARK 4000CIV CK2	10"
0425461	LFARK 4000CIV CK2	4"
0425462	LFARK 4000CIV CK2	6"
0425463	LFARK 4000CIV CK2	8"
0425464	LFARK 4000CIV CK2	10"

Kit includes: Disc & Spring Assembly, Cover O-Ring and Lubricant

Seat Kits for Checks

7016227	ARK 4000CIV S	4"
7016228	ARK 4000CIV S	6"
7016229	ARK 4000CIV S	8"
7016230	ARK 4000CIV S	10"
0425465	LFARK 4000CIV S	4"
0425466	LFARK 4000CIV S	6"
0425467	LFARK 4000CIV S	8"
0425468	LFARK 4000CIV S	10"

Kit includes: Seat, Seat O-Ring, Cover O-Ring, Retainer Wire and Lubricant

First Check Rubber Parts Kits

7016217	ARK 4000CIV RC1	4"
7016218	ARK 4000CIV RC1	6"
7016219	ARK 4000CIV RC1	8"
7016220	ARK 4000CIV RC1	10"

Kit includes: Lower Stem O-Ring (6" only), Check Disc, Cover O-Ring and Lubricant

Second Check Rubber Parts Kits

7016222	ARK 4000CIV RC2	4"
7016223	ARK 4000CIV RC2	6"
7016224	ARK 4000CIV RC2	8"
7016225	ARK 4000CIV RC2	10"

Kit includes: Lower Stem O-Ring (6" only), Check Disc, Cover O-Ring and Lubricant

Relief Valve Rubber Parts

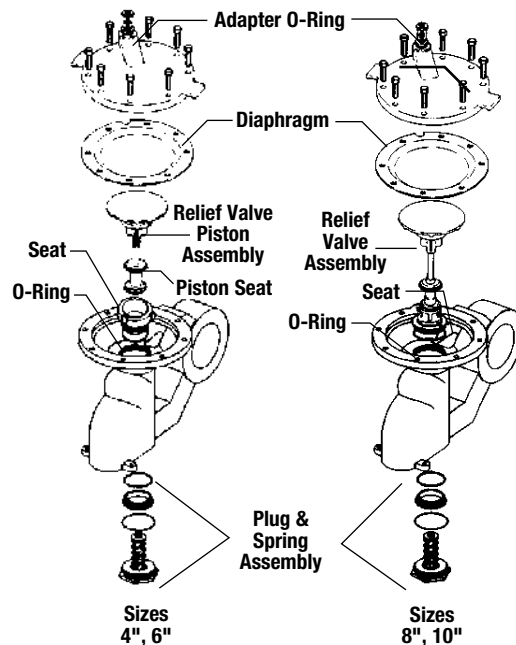
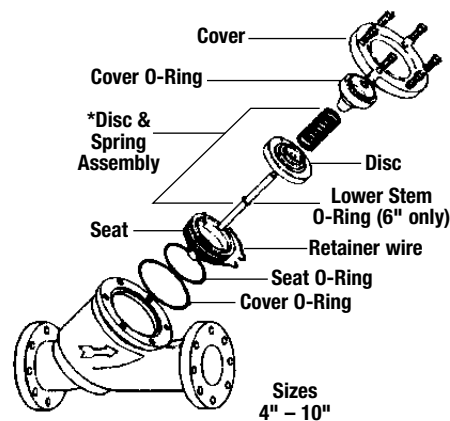
7016268	ARK 4000CIV RV	4" - 10"
0425450	LFARK 4000CIV RV	8" - 10"

Kit includes: Sleeve O-Ring, Seat O-Ring, Piston O-Ring, Stem O-Ring, RV Disc Assembly, Diaphragm, Piston Seal, Bottom Plug O-Ring and Lubricant

Relief Valve Total

7016271	ARK 4000CIV VT	4" - 10"
0425451	LFARK 4000CIV VT	4" - 6"

Kit includes: Adapter O-Ring, Diaphragm, Disc & Piston Assembly Seat, Seat O-Ring and Lubricant



ORDERING CODE	KIT NO.	SIZE
---------------	---------	------

Complete Rubber Parts

7016232	ARK 4000CIV RT	4"
7016233	ARK 4000CIV RT	6"
7016234	ARK 4000CIV RT	8"
7016235	ARK 4000CIV RT	10"
0425453	LFARK 4000CIV RT	4"
0425454	LFARK 4000CIV RT	6"
0425455	LFARK 4000CIV RT	8"
0425456	LFARK 4000CIV RT	10"

Kit includes: RC1, RC2, RV

Cover Kits

7016275	ARK 4000CIV C	4"
7016276	ARK 4000CIV C	6"
7016277	ARK 4000CIV C	8"
7016278	ARK 4000CIV C	10"

Kit includes: Cover, Cover O-Ring and Lubricant

Series 5000CIV Reduced Pressure Detector Assembly 2½" – 10"

ORDERING CODE	KIT NO.	SIZE
---------------	---------	------

First Check Kits

7016236	ARK 5000CIV CK1	2½" - 3"
7016237	ARK 5000CIV CK1	4"
7016238	ARK 5000CIV CK1	6"
7016239	ARK 5000CIV CK1	8"
7016240	ARK 5000CIV CK1	10"

Second Check Kits

7016241	ARK 5000CIV CK2	2½" - 3"
7016242	ARK 5000CIV CK2	4"
7016243	ARK 5000CIV CK2	6"
7016244	ARK 5000CIV CK2	8"
7016245	ARK 5000CIV CK2	10"

Kit includes: Disc & Spring Assembly, Cover O-Ring and Lubricant

Seat Kits for Checks

7016256	ARK 5000CIV S	2½" - 3"
7016257	ARK 5000CIV S	4"
7016258	ARK 5000CIV S	6"
7016259	ARK 5000CIV S	8"
7016260	ARK 5000CIV S	10"

Kit includes: Seat, Seat O-Ring, Cover O-Ring, Retainer Wire and Lubricant O-Ring

First Check Rubber Parts Kits

7016246	ARK 5000CIV RC1	2½" - 3"
7016247	ARK 5000CIV RC1	4"
7016248	ARK 5000CIV RC1	6"
7016249	ARK 5000CIV RC1	8"
7016250	ARK 5000CIV RC1	10"

Second Check Rubber Parts Kits

7016251	ARK 5000CIV RC2	2½" - 3"
7016252	ARK 5000CIV RC2	4"
7016253	ARK 5000CIV RC2	6"
7016254	ARK 5000CIV RC2	8"
7016255	ARK 5000CIV RC2	10"

Kit includes: Lower Stem O-Ring (6" only), Check Disc, Cover O-Ring and Lubricant

ORDERING CODE	KIT NO.	SIZE
---------------	---------	------

Total Rubber Parts Kits

7016261	ARK 5000CIV RT	2½" - 3"
7016262	ARK 5000CIV RT	4"
7016263	ARK 5000CIV RT	6"
7016264	ARK 5000CIV RT	8"
7016265	ARK 5000CIV RT	10"

Kit includes: Lower Stem O-Ring (6" only), Check Disc, Cover O-Ring, Sleeve O-Ring, Piston O-Ring, RV Disc Assembly, Diaphragm, Piston Seat and Lubricant

Relief Valve Rubber Parts

7016279	ARK 5000CIV RV	2½" - 3"
7016280	ARK 5000CIV RV	4" - 10"

Kit includes: Sleeve O-Ring, Seat O-Ring, Piston O-Ring, Stem O-Ring, RV Disc Assembly, Diaphragm, Piston Seal, Bottom plug O-Ring and Lubricant

Relief Valve Total

7016283	ARK 5000CIV VT	2½" - 3"
7016284	ARK 5000CIV VT	4" - 10"

Kit includes: Adapter O-Ring, Diaphragm, Disc & Piston Assembly Seat, Seat O-Ring and Lubricant

Cover Kits

7016287	ARK 5000CIV C	2½" - 3"
7016288	ARK 5000CIV C	4"
7016289	ARK 5000CIV C	6"
7016290	ARK 5000CIV C	8"
7016291	ARK 5000CIV C	10"

Kit includes: Cover, Cover O-Ring and Lubricant