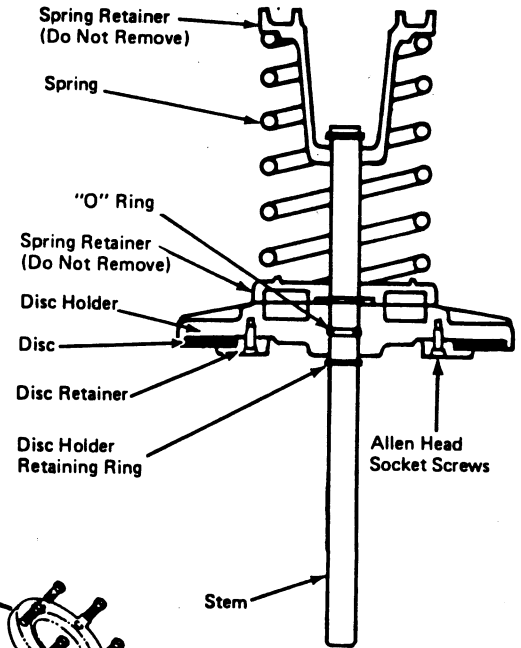
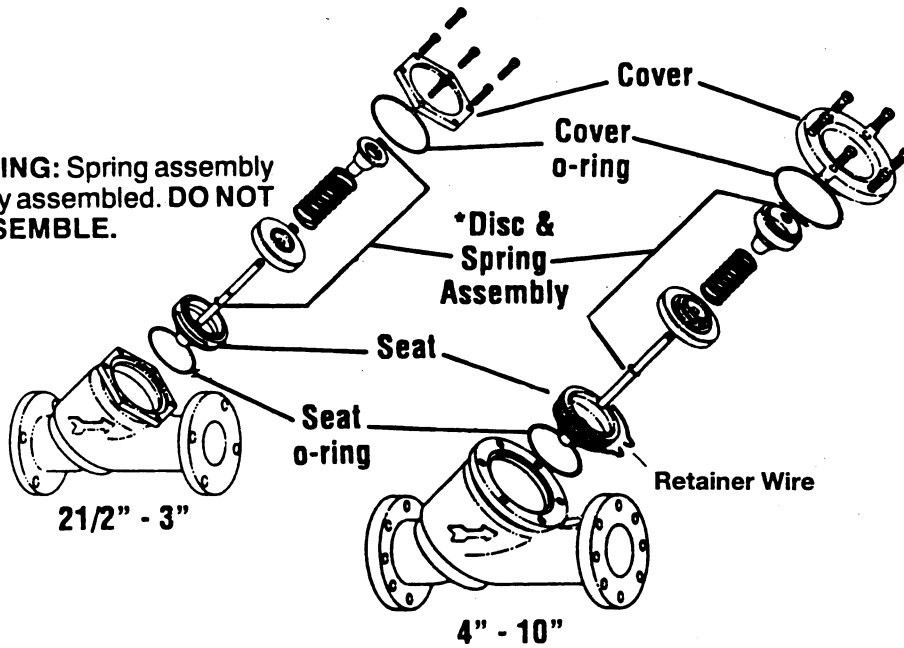


Series 709

Double Check Valve

Sizes 2½" - 10"

***WARNING:** Spring assembly is factory assembled. DO NOT DISASSEMBLE.



Repair Kits:

When ordering specify EDP No., Kit No., and Valve Size.

EDP No.	Kit No.	Size
First or Second Check Kits		
887900	RK 709 CK4	2½" - 3"
887901	RK 709 CK4	4"
887902	RK 709 CK4	6"
887903	RK 709 CK4	8"
887904	RK 709 CK4	10"

Kit consist of: Disc & spring assembly and Cover o-ring.

Rubber Parts (for one check)

EDP No.	Kit No.	Size
887905	RK 709 RC4	2½" - 3"
887906	RK 709 RC4	4"
887907	RK 709 RC4	6"
887908	RK 709 RC4	8"
887909	RK 709 RC4	10"

Kit consist of: Disc and Cover o-ring.

Complete Rubber Parts

EDP No.	Kit No.	Size
887915	RK 709 RT	2½" - 3"
887916	RK 709 RT	4"
887917	RK 709 RT	6"
887918	RK 709 RT	8"
887919	RK 709 RT	10"

Kit consist of: Two discs and Two cover o-rings.

EDP No.	Kit No.	Size
Seat Kits		
887910	RK 709S	2½" - 3"
887911	RK 709S	4"
887912	RK 709S	6"
887913	RK 709S	8"
887914	RK 709S	10"

Kit consist of: Seat, Seat o-ring, Cover o-ring and retainer wire.

Cover Kits

EDP No.	Kit No.	Size
887920	RK 709 C	2½" - 3"
887921	RK 709 C	4"
887922	RK 709 C	6"
887923	RK 709 C	8"
887924	RK 709 C	10"

Kit consist of: Cover and Cover o-ring.