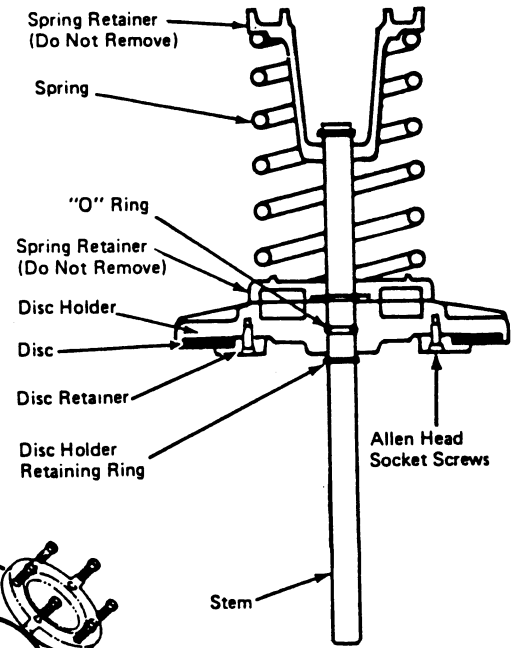
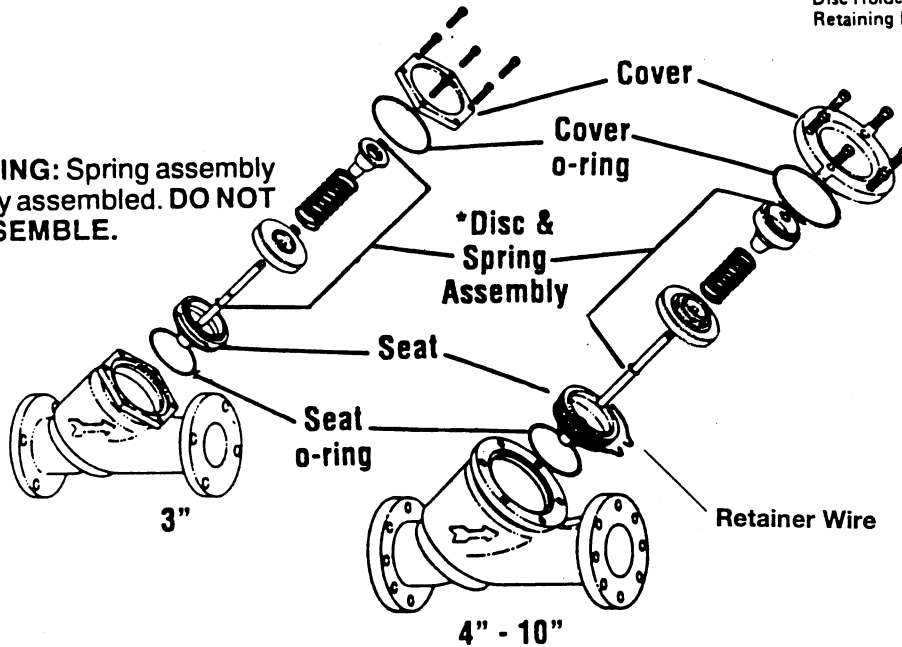


Series 709DCDA

Double Check Detector Assembly

Sizes 3" - 10"

***WARNING:** Spring assembly is factory assembled. DO NOT DISASSEMBLE.



Repair Kits:

When ordering specify EDP No., Kit No., and Valve Size.

EDP No.	Kit. No.	Size
First Check Kits		
887930	RK 709DCDA CK1	3"
887931	RK 709DCDA CK1	4"
887932	RK 709DCDA CK1	6"
887933	RK 709DCDA CK1	8"
887934	RK 709DCDA CK1	10"

EDP No.	Kit. No.	Size
Second Check Kits		
887935	RK 709DCDA CK2	3"
887936	RK 709DCDA CK2	4"
887937	RK 709DCDA CK2	6"
887938	RK 709DCDA CK2	8"
887939	RK 709DCDA CK2	10"

Kit consist of : Disc assembly, Spring and Cover o-ring.

EDP No.	Kit. No.	Size
Rubber Parts (for one check)		
887940	RK 709DCDA RC4	3"
887941	RK 709DCDA RC4	4"
887942	RK 709DCDA RC4	6"
887943	RK 709DCDA RC4	8"
887944	RK 709DCDA RC4	10"

Kit consist of: Disc and Cover o-ring.

EDP No.	Kit. No.	Size
Seat Kits		
887945	RK 709DCDA S	3"
887946	RK 709DCDA S	4"
887947	RK 709DCDA S	6"
887948	RK 709DCDA S	8"
887949	RK 709DCDA S	10"

Kit consist of: Seat, Seat o-ring, cover o-ring and retainer wire.

EDP No.	Kit. No.	Size
Cover Kits		
887950	RK 709DCDA C	3"
887951	RK 709DCDA C	4"
887952	RK 709DCDA C	6"
887953	RK 709DCDA C	8"
887954	RK 709DCDA C	10"

Kit consist of: Cover and Cover o-ring.

EDP No.	Kit. No.	Size
Complete Rubber Parts		
887956	RK 709DCDA RT	3"
887957	RK 709DCDA RT	4"
887958	RK 709DCDA RT	6"
887959	RK 709DCDA RT	8"
887960	RK 709DCDA RT	10"

Kit consist of : 2 Discs and 2 cover o-rings.