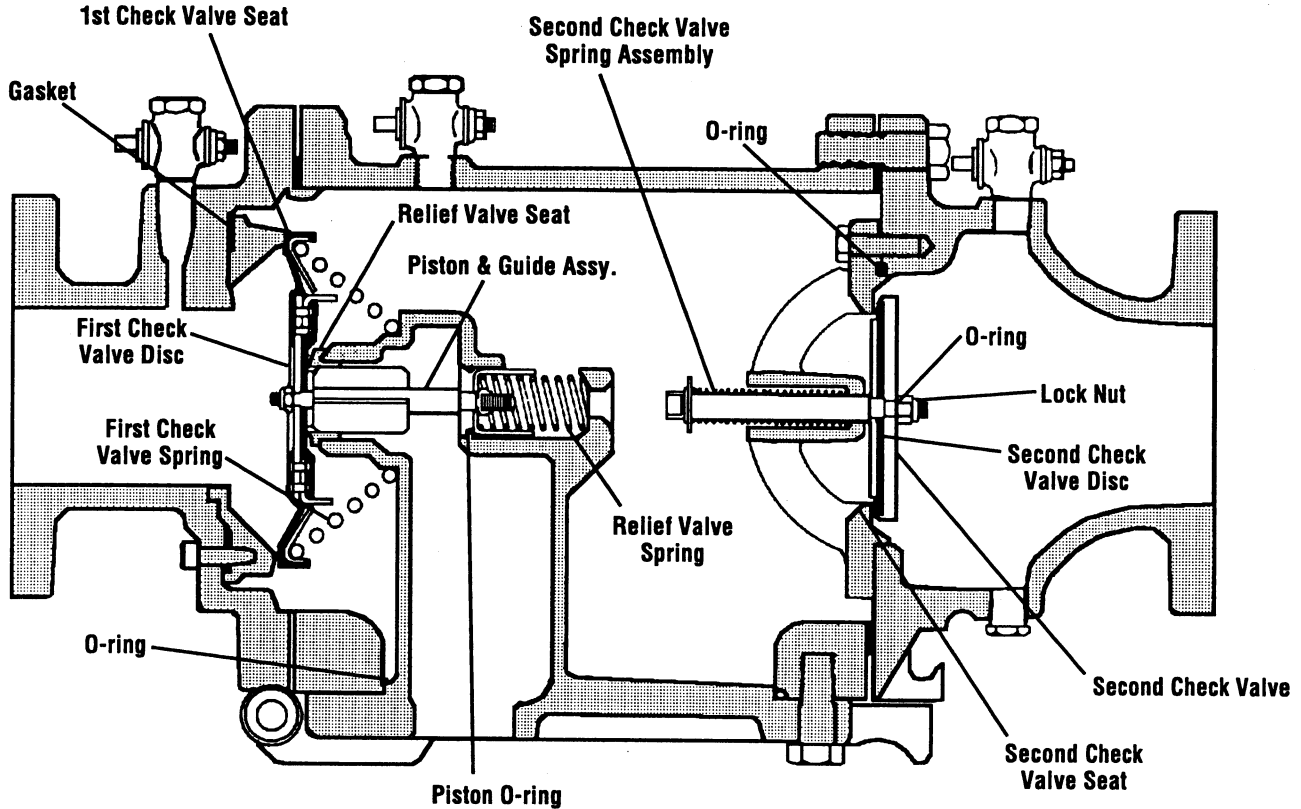


# Series 900 2½" - 6"

## Reduced Pressure Zone Backflow Preventers

**IMPORTANT:** Service of these sizes require proper factory maintenance tool kit (see below).



### Repair kits:

When ordering specify Order Code No., Kit No., and Valve Size.

| Order Code No.                    | Kit No.   | Size    |
|-----------------------------------|-----------|---------|
| <b>First Check Assembly Kits:</b> |           |         |
| 889100                            | 36 BFP-RK | 2½", 3" |
| 889110                            | 37 BFP-RK | 4"      |
| 889120                            | 38 BFP-RK | 6"      |

Kit consists of: first check valve seat and disc, valve spring, gasket, relief valve seat and spring.

| Order Code No.                     | Kit No.   | Size    |
|------------------------------------|-----------|---------|
| <b>Second Check Assembly Kits:</b> |           |         |
| 889105                             | 39 BFP-RK | 2½", 3" |
| 889115                             | 40 BFP-RK | 4"      |
| 889125                             | 41 BFP-RK | 6"      |

Kit consists of: second check valve spring assy. valve disc and seat, o-rings, lock nut, piston o-ring and guide assy. and relief valve o-ring.

| Order Code No.            | Kit No.   | Size    |
|---------------------------|-----------|---------|
| <b>Rubber Parts Kits:</b> |           |         |
| 881295                    | 42 BFP-RK | 2½", 3" |
| 881297                    | 43 BFP-RK | 4"      |
| 881298                    | 44 BFP-RK | 6"      |

Kit consists of: first check valve disc, second check valve disc, o-rings and silicone grease.

| Order Code No.                           | Kit No.    | Size    |
|--|------------|---------|
| <b>Series 900 Maintenance Tool Kits:</b> |            |         |
| 834019                                   | SAT900H153 | 2½", 3" |
| 834042                                   | SAT900J153 | 4"      |
| 834018                                   | SAT900K153 | 6"      |

Kit consists of: jacking tool, tuning fork and compression rod.