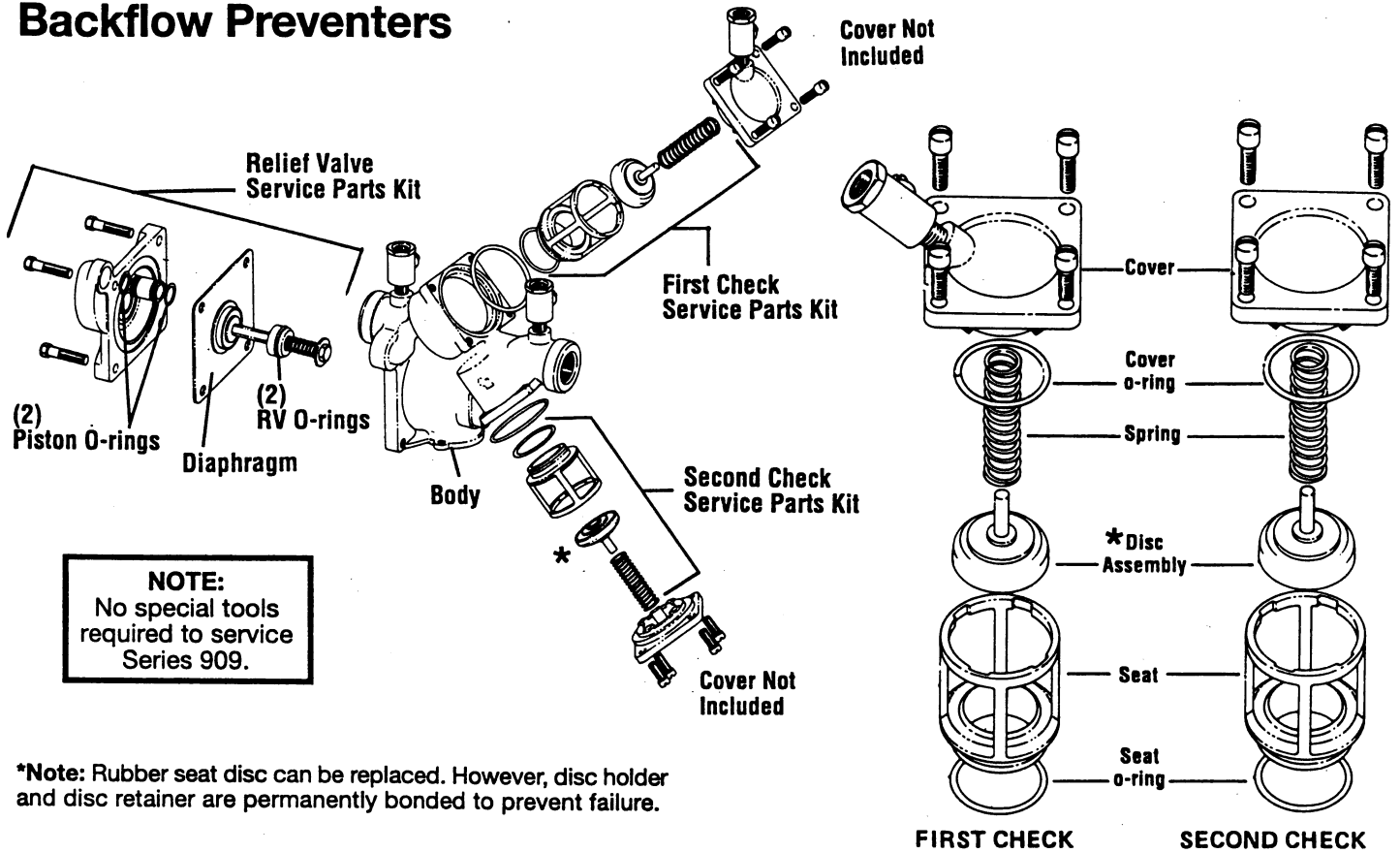


# Series 909 3/4" - 2"

## Reduced Pressure Zone Backflow Preventers



**NOTE:**  
No special tools  
required to service  
Series 909.

\*Note: Rubber seat disc can be replaced. However, disc holder and disc retainer are permanently bonded to prevent failure.

### Check valve kits:

When ordering specify EDP No., Kit No., and Valve Size.

EDP No.	Kit No.	Size
<b>First Check Kits:</b>		
887120	RK 909 CK1	3/4" - 1"
887133	RK 909 CK1	1 1/4" - 2"
887122	RK 909 CK1SS*	3/4" - 1"
887135	RK 909 CK1SS*	1 1/4" - 2"

EDP No.	Kit No.	Size
<b>Second Check Kits:</b>		
887121	RK 909 CK2	3/4" - 1"
887134	RK 909 CK2	1 1/4" - 2"
887123	RK 909 CK2SS*	3/4" - 1"
887136	RK 909 CK2SS*	1 1/4" - 2"

Kit consists of: disc assembly, spring, seat, seat o-ring, cover o-ring and lubricant.

#### Rubber Parts for Both Checks:

EDP No.	Kit No.	Size
887129	RK 909 RC3	3/4" - 1"
887142	RK 909 RC3	1 1/4" - 2"
887310	RK 909RC3 HW	3/4" - 1"
887311	RK 909RC3 HW	1 1/4" - 2"

Kit consists of: Disc assembly, seat o-ring, cover o-ring and lubricant.

#### Complete Rubber Parts:

EDP No.	Kit No.	Size
887130	RK 909 RT	3/4" - 1"
887144	RK 909 RT	1 1/4" - 2"

Kit consists of: Disc assembly, seat o-rings, RV diaphragm, RV o-rings, piston o-rings, cover o-rings and lubricant.

\*Stainless steel seat

EDP No.	Kit No.	Size
<b>Seat Kits</b>		
887160	RK709 S4	3/4" - 1"
887161	RK709 S4	1 1/4" - 2"
887162	RK709 S4SS*	3/4" - 1"
887163	RK709 S4SS*	1 1/4" - 2"

Kit consists of: seat, seat o-ring and lubricant.

#### Cover Kits

EDP No.	Kit No.	Size
887156	RK 709C1	3/4" - 1"
887157	RK 709C1	1 1/4" - 2"
887158	RK 709C2	3/4" - 1"
887132	RK 909 VC	3/4" - 1"
887143	RK 909 VC	1 1/4" - 2"

Kit consists of: cover, cover o-ring and lubricant.

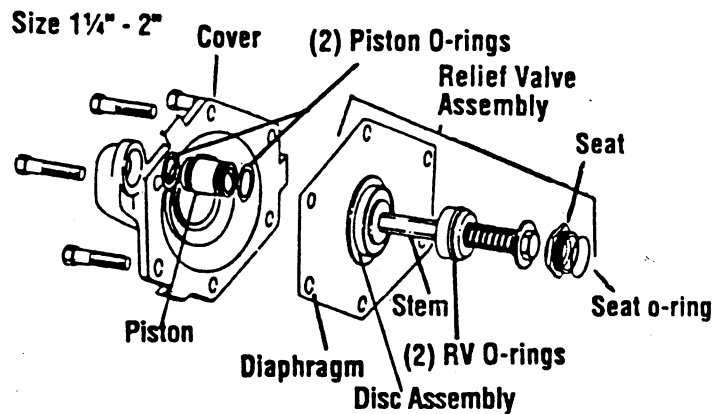
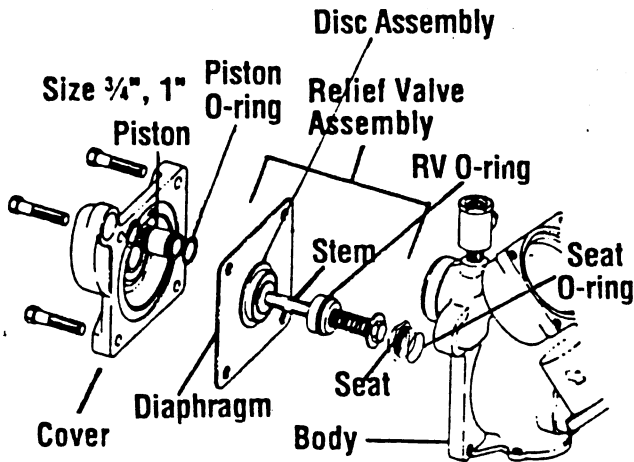
#### Polymer Coated Valves

EDP No.	Kit No.	Size
887780	RK 909PC CK1	3/4" - 1"
887781	RK 909PC CK2	3/4" - 1"
887782	RK 909PC CK1	1 1/4" - 2"
887783	RK 909PC CK2	1 1/4" - 2"

Kit consists of: Disc assembly, Seat, Seat o-ring, Sleeve, Check spring, PC cover and Cover o-ring.

# Series 909 $\frac{3}{4}$ " - 2"

## Reduced Pressure Zone Backflow Preventers



### ***Relief valve kits:***

When ordering specify EDP No., Kit No., and Valve Size.

#### **Series 909**

EDP No.	Kit No.	Size
<b>Relief Valve Kits:</b>		
887126	RK 909 VT	$\frac{3}{4}$ " - 1"
887138	RK 909 VT	1 $\frac{1}{4}$ " - 2"

Kit consists of: relief valve assembly, seat, seat o-ring, 2 piston o-rings and lubricant.

#### **Rubber Parts for Relief Valve:**

887131	RK 909 RV	$\frac{3}{4}$ " - 1"
887141	RK 909 RV	1 $\frac{1}{4}$ " - 2"

Kit consists of: diaphragm, disc assembly, seat o-ring, RV o-ring, 2 piston o-ring, and lubricant.

#### **Seat Kits for Relief Valve:**

887372	RK 909 SV	$\frac{3}{4}$ " - 1"
887371	RK 909 SV	1 $\frac{1}{4}$ " - 2"

Kit consists of: seat, seat o-ring, 2 piston o-ring and lubricant.