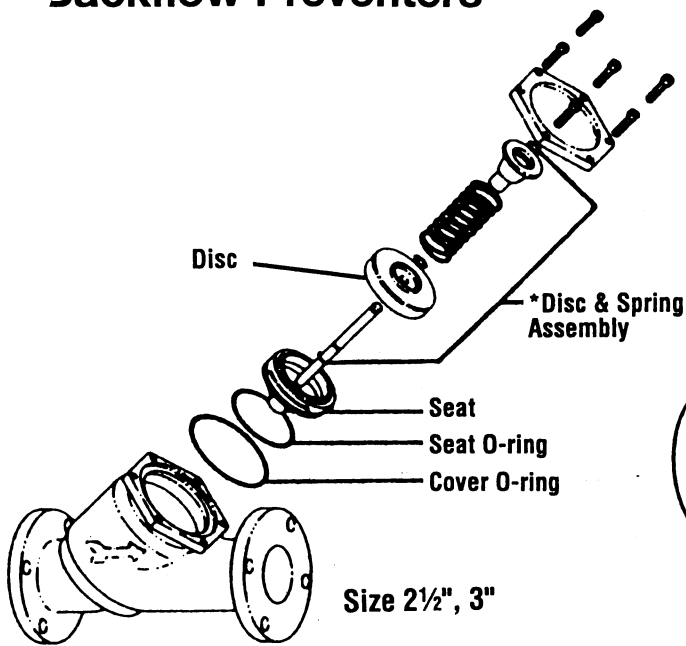
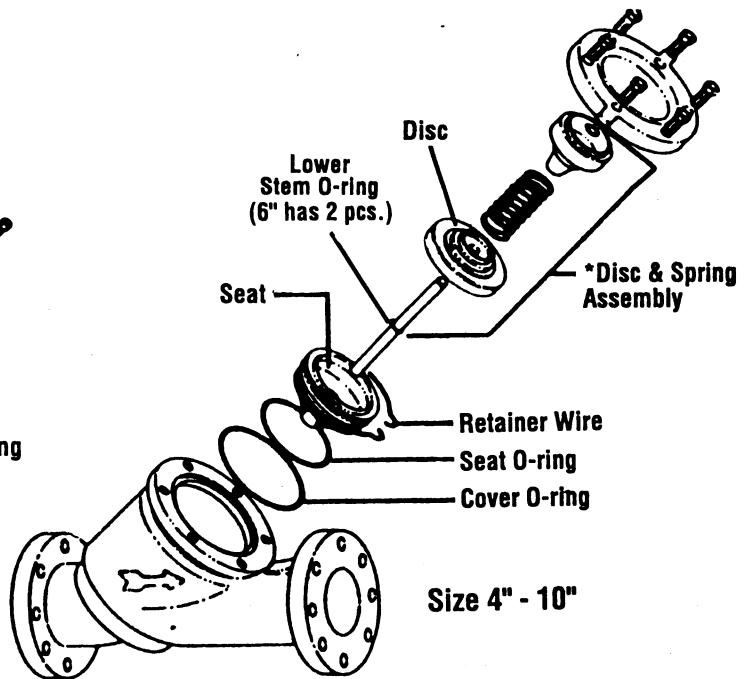


Series 909 2½" - 10"

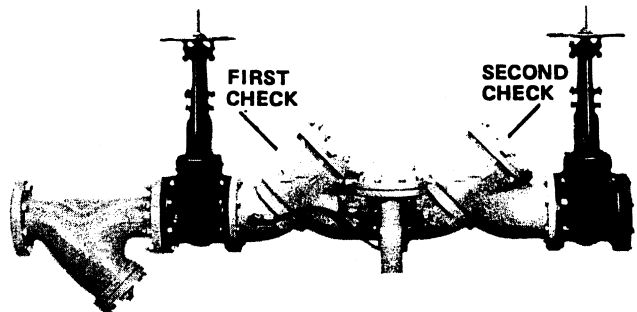
Reduced Pressure Zone Backflow Preventers



Size 2½", 3"



Size 4" - 10"



First and second checks
are not interchangeable.

WARNING: Spring assembly is factory assembled.
DO NOT DISASSEMBLE.

Check valve kits:

When ordering specify EDP No., Kit No., and Valve Size.

EDP No.	Kit No.	Size
First Check Kits:		
887210	RK 909 CK1	2½" - 3"
887212	RK 909 CK1	4"
887213	RK 909 CK1	6"
887214	RK 909 CK1	8"
887215	RK 909 CK1	10"

EDP No.	Kit No.	Size
Second Check Kits:		
887211	RK 909 CK2	2½" - 3"
887216	RK 909 CK2	4"
887217	RK 909 CK2	6"
887218	RK 909 CK2	8"
887219	RK 909 CK2	10"

Kit consists of: disc & spring assembly, cover o-ring and lubricant.

EDP No.	Kit No.	Size
Seat Kits:		
887730	RK 909 S	2½" - 3"
887731	RK 909 S	4"
887732	RK 909 S	6"
887733	RK 909 S	8"
887734	RK 909 S	10"

Kit consists of: seat, seat o-ring, cover o-ring, retainer wires and lubricant.

EDP No.	Kit No.	Size
First Check Rubber Parts Kits:		
887220	RK 909 RC1	2½" - 3"
887221	RK 909 RC1	4"
887223	RK 909 RC1	6"
887224	RK 909 RC1	8"
887225	RK 909 RC1	10"

EDP No.	Kit No.	Size
Second Check Rubber Parts Kits:		
887226	RK 909 RC2	2½" - 3"
887227	RK 909 RC2	4"
887228	RK 909 RC2	6"
887229	RK 909 RC2	8"
887230	RK 909 RC2	10"

Kit consists of: lower check stem o-ring (6" only), check disc, cover o-ring and lubricant.

EDP No.	Kit No.	Size
Cover Kits for Checks:		
887740	RK 909 C	2½" - 3"
887741	RK 909 C	4"
887742	RK 909 C	6"
887743	RK 909 C	8"
887744	RK 909 C	10"

Kit consists of: cover, cover o-ring and lubricant.

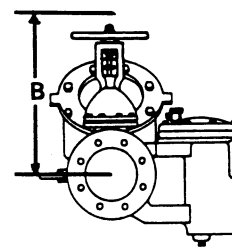
Series 909 2½" - 10"

Reduced Pressure Zone Backflow Preventers

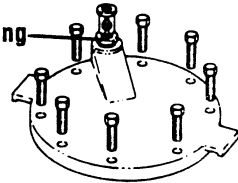
Relief Module

Clearance Required for Servicing

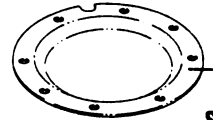
	A	B
2½-3	10"	11"
4	15"	14"
6	15"	16"
8	23"	21"
10	25"	21"



Adapter O-ring



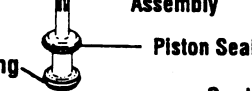
Diaphragm



Stem O-ring



Disc & Piston Assembly



Piston Seal

Piston O-ring



Seat

Seat O-ring

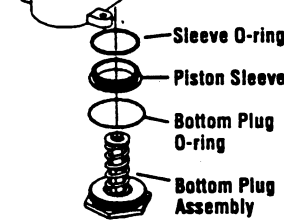


Sleeve O-ring

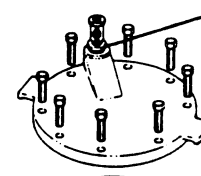
Piston Sleeve

Bottom Plug O-ring

Bottom Plug Assembly



Adapter O-ring



Diaphragm



Disc & Piston Assembly



Seat

Seat O-ring



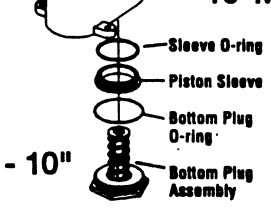
Sizes 8"M1, 10"M1

Sleeve O-ring

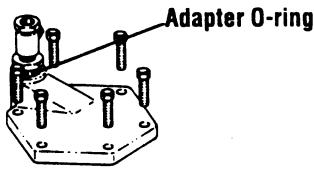
Piston Sleeve

Bottom Plug O-ring

Bottom Plug Assembly



Sizes 4" - 10"



Relief Valve Disc

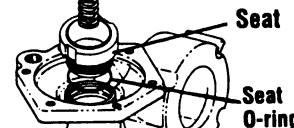
Disc & Piston Assembly

Stem O-ring

Piston O-ring

Seat

Seat O-ring



Sizes 2½", 3"

Relief valve kits:

When ordering specify EDP No., Kit No., and Valve Size.
*M1 = Cast iron relief valve.

Series 909

EDP No.	Kit No.	Size
Relief Valve Rubber Parts:		
887231	RK 909 RV	2½" - 3"
887232	RK 909 RV	4" - 6"
887233	RK 909 RV	8" - 10"
887234	*RK 909M1 RV	4" - 10"

Kit consists of: sleeve o-ring, piston o-ring, stem o-ring, RV disc assembly, diaphragm, piston seal, bottom plug o-ring, adapter o-ring and lubricant.

Relief Valve Total:

EDP No.	Kit No.	Size
887235	RK 909 VT	2½" - 3"
887236	RK 909 VT	4" - 6"
887237	RK 909 VT	8" - 10"
887238	*RK 909M1 VT	4" - 10"

Kit consists of: diaphragm, disc & piston assembly, seat, seat o-ring, adapter o-ring and lubricant. (Sizes 4"-10"M1 includes bottom plug & spring assembly).

EDP No.	Kit No.	Size
Total Rubber Parts Kits:		
887750	RK 909 RT	2½" - 3"
887751	RK 909 RT	4"
887752	RK 909 RT	6"
887753	RK 909 RT	8"
887761	RK 909M1 RT	8"
887754	RK 909 RT	10"
887762	RK 909M1 RT	10"

Kit consists of: lower check stem o-ring (6" only), check disc, cover o-ring, sleeve o-ring, piston o-ring, RV disc assembly, diaphragm, piston seal and lubricant.