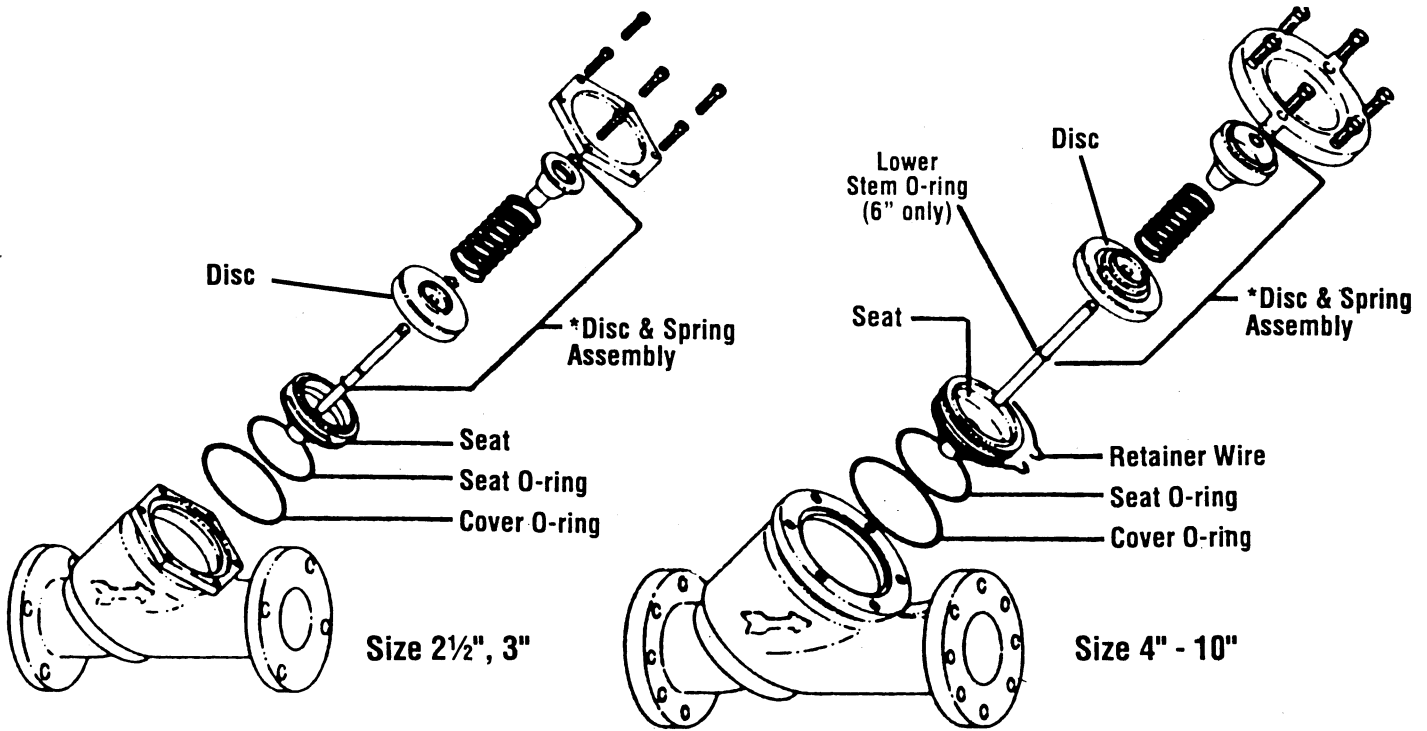


Series 909RPDA 2½" - 10"

Reduced Pressure Detector Assemblies



***WARNING:** Spring assembly is factory assembled.
DO NOT DISASSEMBLE.

Check valve kits:

When ordering specify EDP No., Kit No., and Valve Size.

EDP No.	Kit No.	Size
First Check Kits:		
887239	RK 909RPDA CK1	2½" - 3"
887240	RK 909RPDA CK1	4"
887241	RK 909RPDA CK1	6"
887242	RK 909RPDA CK1	8"
887243	RK 909RPDA CK1	10"

EDP No.	Kit No.	Size
Second Check Kits:		
887244	RK 909RPDA CK2	2½" - 3"
887245	RK 909RPDA CK2	4"
887246	RK 909RPDA CK2	6"
887247	RK 909RPDA CK2	8"
887248	RK 909RPDA CK2	10"

Kit consists of: disc & spring assembly, cover o-ring and lubricant.

EDP No.	Kit No.	Size
First Check Rubber Parts Kits:		
887249	RK 909RPDA RC1	2½" - 3"
887250	RK 909RPDA RC1	4"
887251	RK 909RPDA RC1	6"
887252	RK 909RPDA RC1	8"
887253	RK 909RPDA RC1	10"

EDP No.	Kit No.	Size
Second Check Rubber Parts Kits:		
887254	RK 909RPDA RC2	2½" - 3"
887255	RK 909RPDA RC2	4"
887256	RK 909RPDA RC2	6"
887257	RK 909RPDA RC2	8"
887258	RK 909RPDA RC2	10"

Kit consists of: lower check stem o-ring (6" only), check disc, cover o-ring and lubricant.

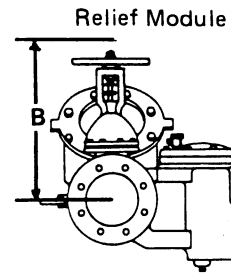
EDP No.	Kit No.	Size
Seat Kits:		
887735	RK 909RPDA S	2½" - 3"
887736	RK 909RPDA S	4"
887737	RK 909RPDA S	6"
887738	RK 909RPDA S	8"
887739	RK 909RPDA S	10"

Kit consists of: seat, seat o-ring, cover o-ring, retainer wires and lubricant.

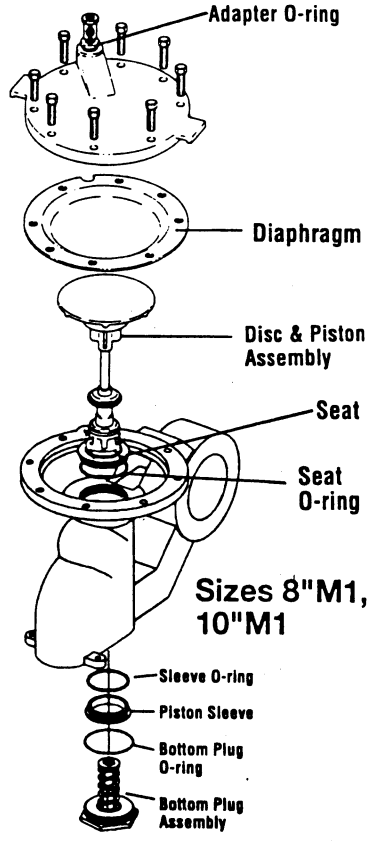
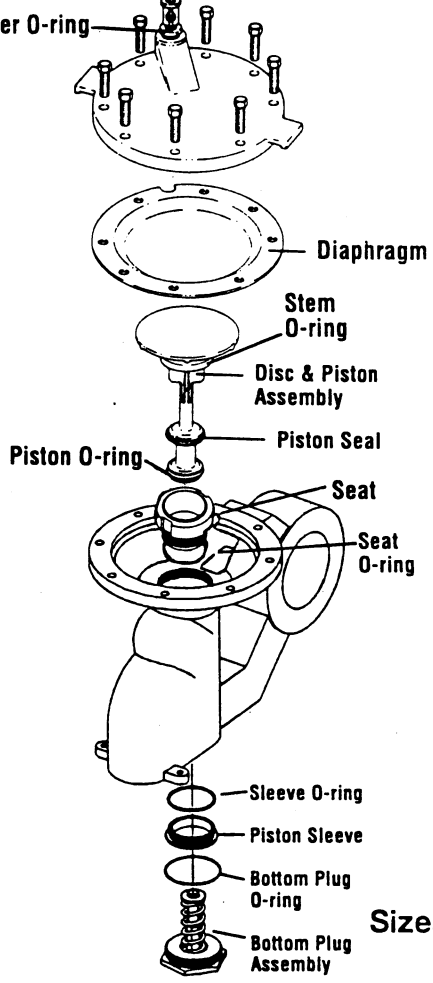
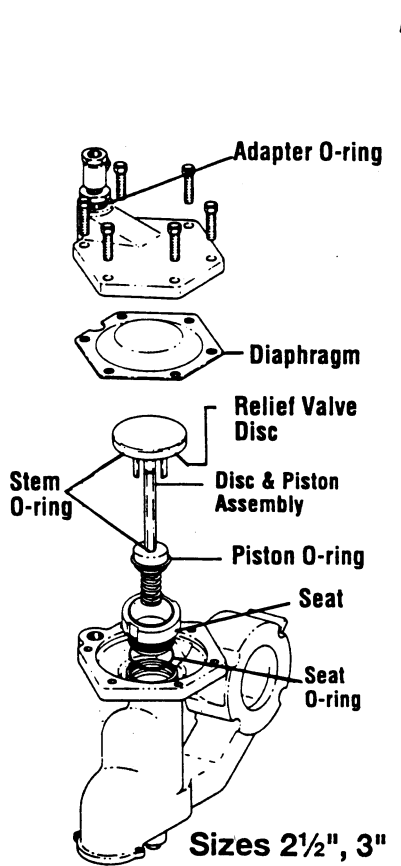
EDP No.	Kit No.	Size
Cover Kits for Checks:		
887745	RK 909RPDA C	2½" - 3"
887746	RK 909RPDA C	4"
887747	RK 909RPDA C	6"
887748	RK 909RPDA C	8"
887749	RK 909RPDA C	10"

Series 909RPDA 2½" - 10"

Reduced Pressure Detector Assemblies



Clearance Required for Servicing	A	B
	2½-3	10"
4	15"	14"
6	15"	16"
8	23"	21"
10	25"	21"



Relief valve kits:

When ordering specify EDP No., Kit No., and Valve Size.
*M1 = Cast iron relief valve.

Series 909RPDA

EDP No.	Kit No.	Size
Relief Valve Rubber Parts:		
887263	RK 909RPDA RV	2½" - 3"
887264	RK 909RPDA RV	4" - 6"
887265	RK 909RPDA RV	8" - 10"
887266	*RK 909RPDAM1 RV	4" - 10"

Kit consists of: sleeve o-ring, seat o-ring, piston o-ring, stem o-ring, RV disc assembly, diaphragm, piston seal, bottom plug o-ring, adapter o-ring and lubricant.

Relief Valve Total:

887259	RK 909RPDA VT	2½" - 3"
887260	RK 909RPDA VT	4" - 6"
887261	RK 909RPDA VT	8" - 10"
887262	*RK 909RPDAM1 VT	4" - 10"

Kit consists of: diaphragm, disc & piston assembly, seat, seat o-ring, adapter o-ring and lubricant. (Sizes 4"-10"M1 includes bottom plug & spring assembly.)

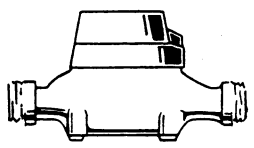
EDP No.	Kit No.	Size
Total Rubber Parts Kits:		
887756	RK 909RPDA RT	2½" - 3"
887757	RK 909RPDA RT	4"
887758	RK 909RPDA RT	6"
887759	RK 909RPDA RT	8"
887764	RK 909RPDAM1 RT	8"
887760	RK 909RPDA RT	10"
887765	RK 909RPDAM1 RT	10"

Kit consists of: lower check stem o-ring (6" only), check disc, cover o-ring sleeve o-ring, piston o-ring, RV disc assembly, diaphragm, piston seat and lubricant.

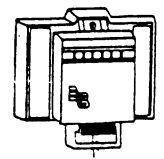
Replacement Water Meters for 2½" - 10" Series 909RPDA, 990RPDA and 992RPDA.

EDP No.	Valve Series	Size	Description
835561	909RPDA/990RPDA/992RPDA	2½" thru 10"	D709BA203 (registers in gallons)
1203010	909RPDA/990RPDA/992RPDA	2½" thru 10"	D709BB203-CFM (registers in cubic feet)
CFM AND GPM Outside Reader Kit			
1203015	909RPDA/990RPDA/992RPDA	2½" thru 10"	D709BA203-CFM R.O.M. Kit

Note: For outside recorder, consult your technical sales representative.



Water Meter



Outside Reader