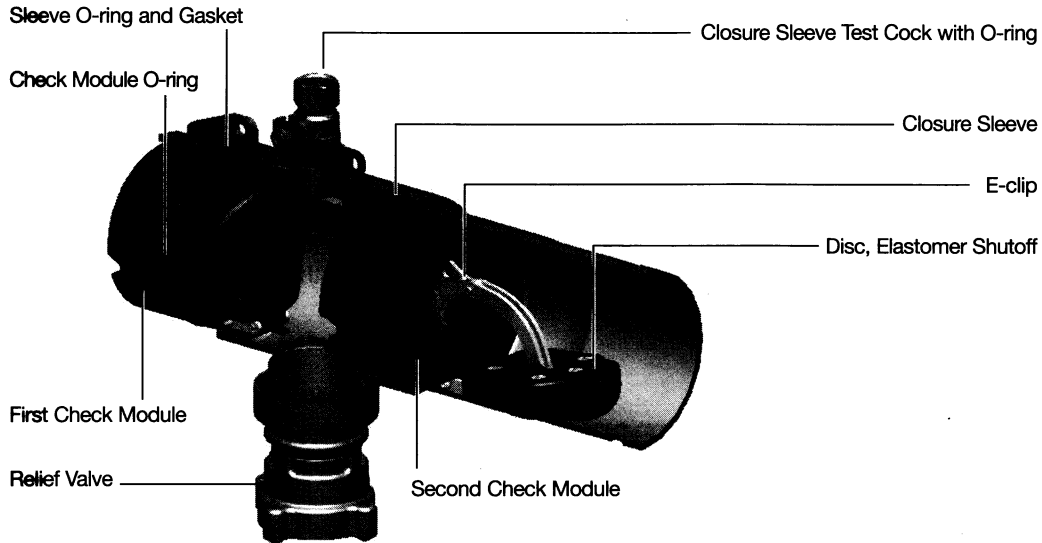


Series 957, 957N, 957Z, 957RPDA, 957NRPDA, 957ZRPDA Check Repair Kits

2 1/2" - 10"



ORDERING NO.	SIZE	MODEL
1st Check Kits		
7018129	2 1/2" - 4"	RK 957/957RPDA CK1
7018132	6"	RK 957/957RPDA CK1
7018135	8"	RK 957/957RPDA CK1
0899215	10"	RK 957/957RPDA CK1

Kit consists of: First check module, Check module O-ring and Disc elastomer

2nd Check Kits		
0899216	2 1/2" - 4"	RK 957/957RPDA CK2
0899217	6"	RK 957/957RPDA CK2
0899218	8"	RK 957/957RPDA CK2
0899219	10"	RK 957/957RPDA CK2

Kit consists of: Second check module, Check module O-ring and Disc elastomer

1st or 2nd Check Rubber Parts Kits		
0899220	2 1/2" - 4"	RK 957/957RPDA RC4
0899221	6"	RK 957/957RPDA RC4
0899222	8"	RK 957/957RPDA RC4
0899223	10"	RK 957/957RPDA RC4

Kit consists of: Check module O-ring, Disc elastomer and E-clip

ORDERING NO.	SIZE	MODEL
Check Sleeve Cover Kits		
0899240	2 1/2" - 4"	RK 957/957RPDA C
0899241	6"	RK 957/957RPDA C
0899242	8"	RK 957/957RPDA C
0899243	10"	RK 957/957RPDA C

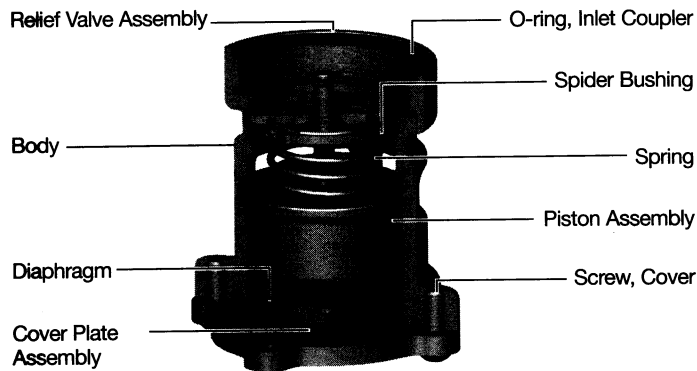
Kit consists of: Closure sleeve, Sleeve O-ring and gasket

Total Rubber Parts Kits		
0899244	2 1/2" - 4"	RK 957/957RPDA RT
0899245	6"	RK 957/957RPDA RT
0899246	8"	RK 957/957RPDA RT
0899247	10"	RK 957/957RPDA RT

Kit consists of: 1st and 2nd Check module O-ring, (2) Disc elastomer, (2) E-clips, Relief valve diaphragm, Relief valve inlet coupler O-ring and Relief valve piston assembly

Series 957, 957N, 957Z, 957RPDA, 957NRPDA, 957ZRPDA Relief Valve Kits

2 1/2" - 10"



Relief Valve Hose		
0298120	2 1/2" - 4" 957, 957RPDA	1/2 x 1/2 CFC-S-CFx24
0298121	2 1/2" & 3" 957, 957RPDA N & Z	1/2 x 1/2 CFC-S-CFx24
0298122	6" 957, 4" 957N 2 1/2", 3", 4" 957Z 6", 8" 957RPDA 4", 6", 8" 957RPDA N & Z 2 1/2", 3", 4" 957RPDA BFG 2 1/2", 3", 4", 6" 957RPDA BFG N & Z	1/2 x 1/2 CFC-S-CFx24
0298123	8" & 10" 957 6", 8", 10" 957 N & Z 10" 957RPDA N & Z 6" & 8" 957RPDABFG N & Z	1/2 x 1/2 CFC-S-CFx36

Relief Valve Total Kit

0899232	2 1/2" - 10"	RK 957/957RPDA VT
---------	--------------	-------------------

Kit consists of: Complete relief valve assembly

Relief Valve Rubber Parts Kit

0899236	2 1/2" - 10"	RK 957/957RPDA RV
---------	--------------	-------------------

Kit consists of: Diaphragm, Inlet coupler O-ring and Piston assembly

Air Gap

0111764	2 1/2" - 10"	957AG
0111815	2 1/2" - 10"	957AG Splash Guard