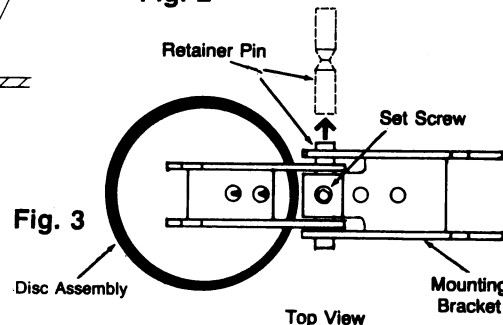
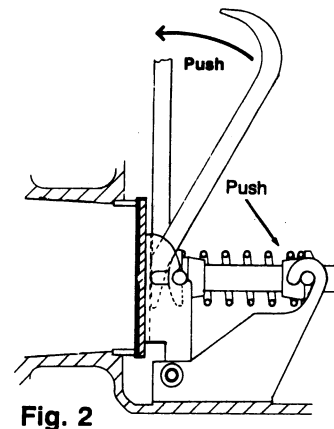
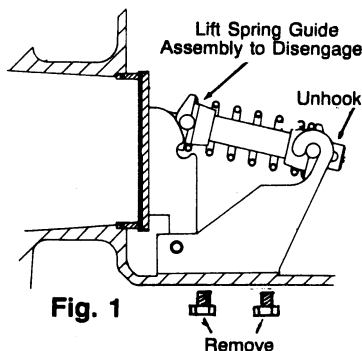
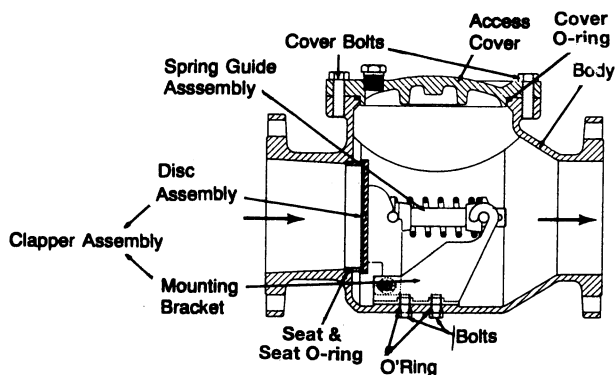


# Series 990 4" - 8"

## Reduced Pressure Zone Backflow Preventers

# Series 990RPDA 4" - 8"

## Reduced Pressure Detector Assemblies



### Check valve kits:

When ordering specify EDP No., Kit No., and Valve Size.

#### Series 990

EDP No.	Kit No.	Size
<b>First Check Repair Kits:</b>		
887315	RK 990 CK1	4"
887316	RK 990 CK1	6"
887317	RK 990 CK1	8"

<b>Second Check Repair Kits:</b>		
887318	RK 990 CK2	4"
887319	RK 990 CK2	6"
887320	RK 990 CK2	8"

Kit consists of: spring assembly and cover o-ring.

#### Check Rubber Parts:

887321	RK 990 RC1	4"
887322	RK 990 RC1	6"
887313	RK 990 RC2	4"
887314	RK 990 RC2	6"
887323	RK 990 RC4	8"

Kit consists of: cover o-ring, two bolt o-rings and disc assembly for one check.

#### Seat Kits:

887330	RK 990 S	4"
887331	RK 990 S	6"
887332	RK 990 S	8"

Kit consists of: seat and seat o-ring for one check.

#### Total Kits

<b>Complete Rubber Parts:</b>		
887333	RK 990 RT	4"
887334	RK 990 RT	6"
887335	RK 990 RT	8"

Kit consists of: two cover o-rings, four bolt o-rings, two disc assemblies, one relief valve diaphragm, relief valve cover o-ring, piston o-ring, relief valve seat disc and seat o-ring.

#### Complete Repair Kits:

887336	RK 990 T	4"
887337	RK 990 T	6"
887338	RK 990 T	8"

Kit consists of: two cover o-rings, four bolt o-rings, two disc assemblies, two spring assemblies, relief valve, stem assembly, seat o-ring and cover o-ring.

#### Series 990RPDA

EDP No.	Kit No.	Size
<b>First Check Repair Kits:</b>		
887340	RK 990RPDA CK1	4"
887341	RK 990RPDA CK1	6"
887342	RK 990RPDA CK1	8"

<b>Second Check Repair Kits:</b>		
887343	RK 990RPDA CK2	4"
887344	RK 990RPDA CK2	6"
887345	RK 990RPDA CK2	8"

Kit consists of: spring assembly and cover o-ring.

#### Check Rubber Parts:

887346	RK 990RPDA RC1	4"
887347	RK 990RPDA RC1	6"
887366	RK 990RPDA RC2	4"
887367	RK 990RPDA RC2	6"
887348	RK 990RPDA RC4	8"

Kit consists of: cover o-ring, two bolt o-ring and disc assembly for one check.

#### Seat Kits:

887352	RK 990RPDA S	4"
887353	RK 990RPDA S	6"
887354	RK 990RPDA S	8"

Kit consists of: seat and seat o-ring for one check.

#### Total Kits

<b>Complete Rubber Parts:</b>		
887361	RK 990RPDA RT	4"
887362	RK 990RPDA RT	6"
887363	RK 990RPDA RT	8"

Kit consists of: two cover o-rings, four bolt o-rings, two disc assemblies, one relief valve diaphragm, relief valve cover o-ring, piston o-ring, relief valve seat disc and seat o-ring.

#### Complete Repair Kits:

887349	RK 990RPDA T	4"
887350	RK 990RPDA T	6"
887351	RK 990RPDA T	8"

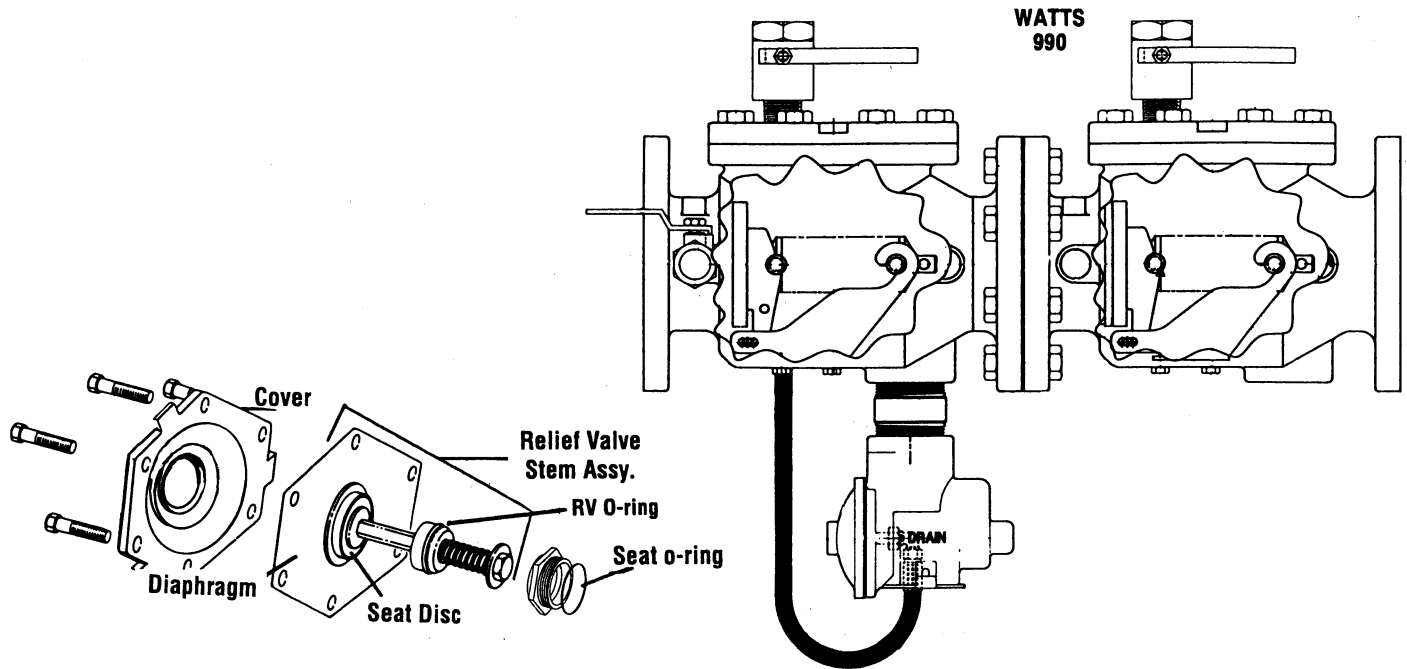
Kit consists of: two cover o-rings, four bolt o-rings, two disc assemblies, two spring assemblies, relief valve, stem assembly, seat o-ring and cover o-ring.

# Series 990 4" - 8"

Reduced Pressure Zone Backflow Preventers

# Series 990RPDA 4" - 8"

Reduced Pressure Detector Assemblies



## Relief valve kits:

When ordering specify EDP No., Kit No., and Valve Size.

### Series 990

EDP No.	Kit No.	Size
<b>Relief Valve Total:</b>		
887327	RK 990 VT	4"
887328	RK 990 VT	6"
887329	RK 990 VT	8"

Kit consists of: relief valve stem assembly, seat o-ring.

#### Relief Valve Rubber Parts:

887324	RK 990 RV	4"
887325	RK 990 RV	6"
887326	RK 990 RV	8"

Kit consists of: relief valve diaphragm, piston o-rings, seat disc, seat o-ring.

### Series 990RPDA

EDP No.	Kit No.	Size
<b>Relief Valve Total:</b>		
887358	RK 990RPDA VT	4"
887359	RK 990RPDA VT	6"
887360	RK 990RPDA VT	10"

Kit consists of: relief valve stem assembly, seat o-ring.

#### Relief Valve Rubber Parts:

887355	RK 990RPDA RV	4"
887356	RK 990RPDA RV	6"
887357	RK 990RPDA RV	8"

Kit consists of: relief valve diaphragm, piston o-rings, seat disc, seat o-ring.