

# Series 992 4" - 10"

## Reduced Pressure Zone Backflow Preventers

# Series 992RPDA 4" - 10"

## Reduced Pressure Detector Assemblies

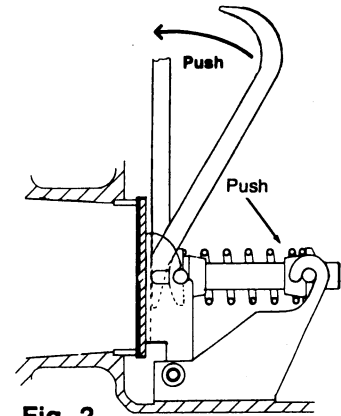
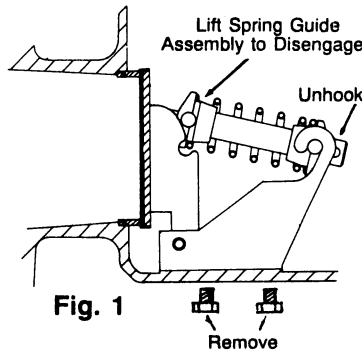
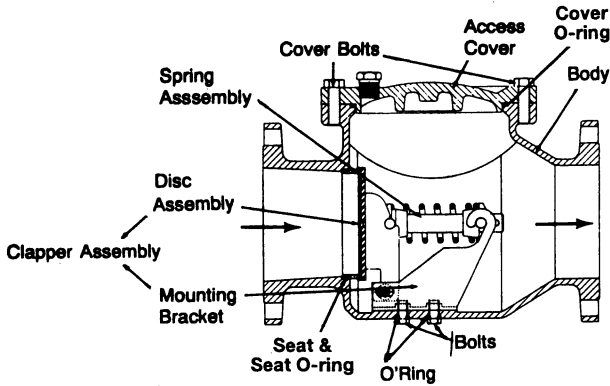


Fig. 2

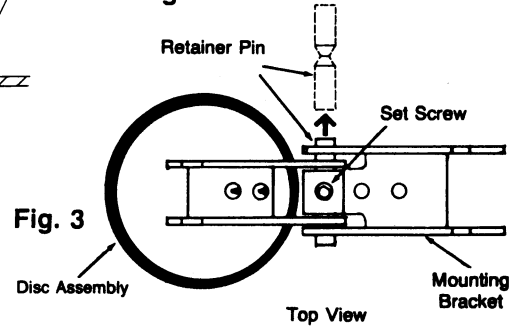


Fig. 3

**Note: 992 Series utilizes 990 Repair Kits**

### Check valve kits:

When ordering specify EDP No., Kit No., and Valve Size.

#### Series 992

EDP No.	Kit No.	Size
<b>First Check Repair Kits:</b>		
887315	992 CK1	4"
887316	992 CK1	6" - 8"
887317	992 CK1	10"
<b>Second Check Repair Kits:</b>		
887318	992 CK2	4"
887319	992 CK2	6" - 8"
887320	992 CK2	10"
Kit consists of: spring assembly and cover o-ring.		
<b>Check Rubber Parts:</b>		
887321	992 RC4	4"
887322	992 RC4	6" - 8"
887323	992 RC4	10"
Kit consists of: cover o-ring, two bolt o-rings and disc assembly for one check.		
<b>Seat Kits:</b>		
887330	992 S	4"
887331	992 S	6" - 8"
887332	992 S	10"
Kit consists of: seat and seat o-ring for one check.		
<b>Complete Rubber Parts:</b>		
887333	992 RT	4"
887334	992 RT	6" - 8"
887335	992 RT	10"

Kit consists of: two cover o-rings, four bolt o-rings, two disc assemblies, one relief valve diaphragm, relief valve cover o-ring, piston o-ring, relief valve seat disc and seat o-ring.

#### Series 992RPDA

EDP No.	Kit No.	Size
<b>First Check Repair Kits:</b>		
887340	992RPDA CK1	4"
887341	992RPDA CK1	6" - 8"
887342	992RPDA CK1	10"
<b>Second Check Repair Kits:</b>		
887343	992RPDA CK2	4"
887344	992RPDA CK2	6" - 8"
887345	992RPDA CK2	10"
Kit consists of: spring assembly and cover o-ring.		
<b>Check Rubber Parts:</b>		
887346	992RPDA RC4	4"
887347	992RPDA RC4	6" - 8"
887348	992RPDA RC4	10"
Kit consists of: cover o-ring, two bolt o-ring and disc assembly for one check.		
<b>Seat Kits:</b>		
887352	992RPDA S	4"
887353	992RPDA S	6" - 8"
887354	992RPDA S	10"
Kit consists of: seat and seat o-ring for one check.		
<b>Complete Rubber Parts:</b>		
887361	992RPDA RT	4"
887362	992RPDA RT	6" - 8"
887363	992RPDA RT	10"

Kit consists of: two cover o-rings, four bolt o-rings, two disc assemblies, one relief valve diaphragm, relief valve cover o-ring, piston o-ring, relief valve seat disc and seat o-ring.

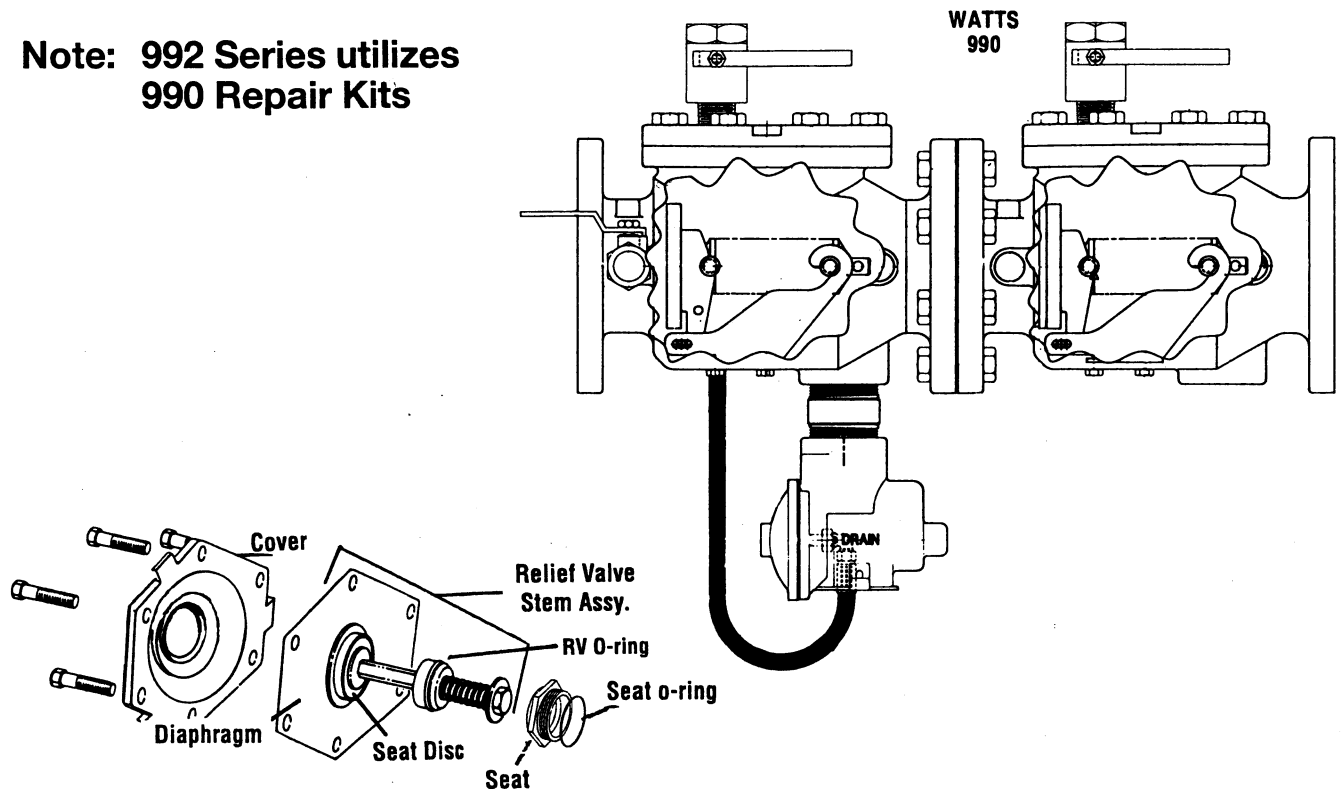
# Series 992 4" - 10"

## Reduced Pressure Zone Backflow Preventers

# Series 992RPDA 4" - 10"

## Reduced Pressure Detector Assemblies

**Note: 992 Series utilizes 990 Repair Kits**



### Relief valve kits:

*When ordering specify EDP No., Kit No., and Valve Size.*

#### Series 992

EDP No.	Kit No.	Size
<b>Relief Valve Total:</b>		
887327	992 VT	4"
887328	992 VT	6" - 8"
887329	992 VT	10"

Kit consists of: relief valve stem assembly, seat o-ring and cover o-ring.

#### Relief Valve Rubber Parts:

887324	992 RV	4"
887325	992 RV	6" - 8"
887326	992 RV	10"

Kit consists of: relief valve diaphragm, piston o-rings, seat disc, seat o-ring and cover o-ring.

#### Series 992RPDA

EDP No.	Kit No.	Size
<b>Relief Valve Total:</b>		
887358	992RPDA VT	4"
887359	992RPDA VT	6" - 8"
887360	992RPDA VT	10"

Kit consists of: relief valve stem assembly, seat o-ring and cover o-ring.

#### Relief Valve Rubber Parts:

887355	992RPDA RV	4"
887356	992RPDA RV	6" - 8"
887357	992RPDA RV	10"

Kit consists of: relief valve diaphragm, piston o-rings, seat disc, seat o-ring and cover o-ring.