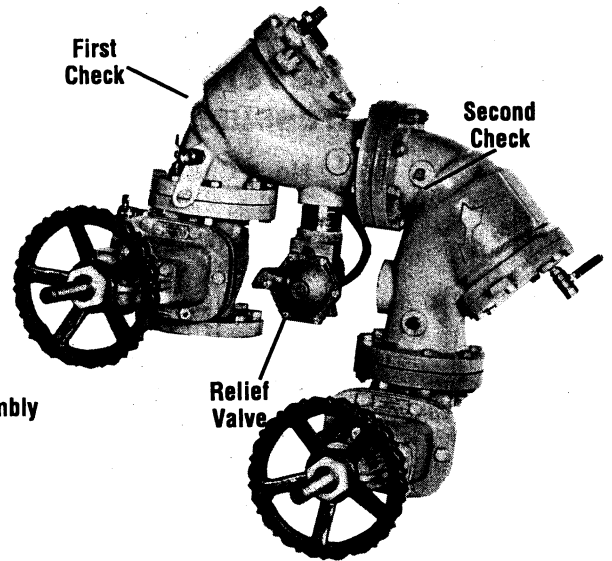
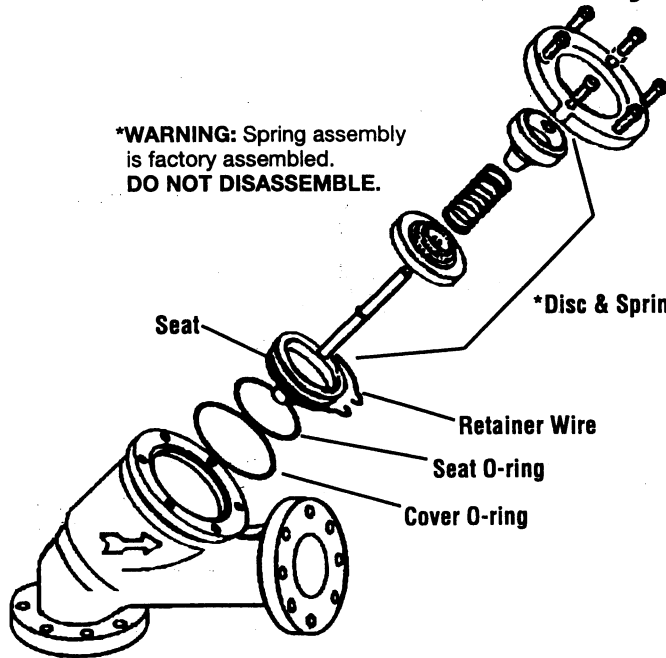


Series 993 4" and 6" Reduced Pressure Zone Backflow Preventer

Series 993RPDA 4" and 6" Reduced Pressure Detector Assembly



Check valve kits:

When ordering specify EDP No., Kit No. and Valve Size.

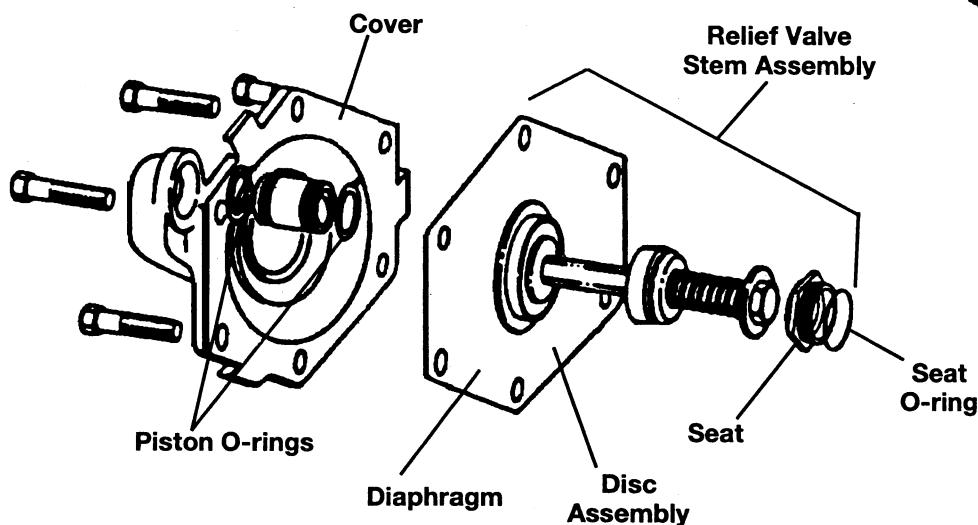
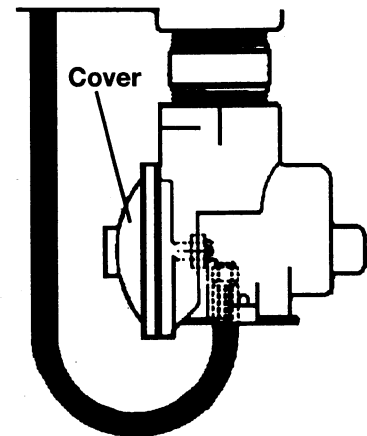
Series 993

EDP No.	Kit No.	Size
First Check Kit		
888040	RK 993 CK1	4"
888500	RK 993 CK1	6"
Second Check Kit		
888041	RK 993 CK2	4"
888501	RK 993 CK2	6"
Kit consists of: Disc & Spring assembly, Cover o-ring and Lubricant.		
First Check Rubber Parts Kit		
888042	RK 993 RC1	4"
888502	RK 993 RC1	6"
Second Check Rubber Parts Kit		
888043	RK 993 RC2	4"
888503	RK 993 RC2	6"
Kit consists of: Disc assembly, Cover o-ring and Lubricant.		
Seat Kit for Checks		
888044	RK 993 S	4"
888504	RK 993 S	6"
Kit consists of: Seat, Seat o-ring, Cover o-ring, Retainer wire and Lubricant.		
Total Rubber Parts Kit		
888048	RK 993 RT	4"
888505	RK 993 RT	6"
Kit consists of: Disc assembly, Cover o-ring, Sleeve o-ring, Piston o-ring, RV disc assembly, Diaphragm, Piston seat and Lubricant.		
Cover Kit		
888047	RK 993 C	4"
888506	RK 993 C	6"
Kit consists of: Cover, Cover o-ring and Lubricant.		

Series 993RPDA

EDP No.	Kit No.	Size
First Check Kit		
888400	RK 993RPDA CK1	4"
888510	RK 993RPDA CK1	6"
Second Check Kit		
888401	RK 993RPDA CK2	4"
888511	RK 993RPDA CK2	6"
Kit consists of: Disc & Spring assembly, Cover o-ring and Lubricant.		
First Check Rubber Parts Kit		
888402	RK 993RPDA RC1	4"
888512	RK 993RPDA RC1	6"
Second Check Rubber Parts Kit		
888403	RK 993RPDA RC2	4"
888513	RK 993RPDA RC2	6"
Kit consists of: Disc assembly, Cover o-ring and Lubricant.		
Seat Kit for Checks		
888404	RK 993RPDA S	4"
888514	RK 993 RPDA S	6"
Kit consists of: Seat, Seat o-ring, Cover o-ring, Retainer wire and Lubricant.		
Total Rubber Parts Kit		
888408	RK 993RPDA RT	4"
888515	RK 993 RPDA RT	6"
Kit consists of: Disc assembly, Cover o-ring, Sleeve o-ring, Piston o-ring, RV disc assembly, Diaphragm, Piston seat and Lubricant.		
Cover Kit		
888407	RK 993RPDA C	4"
888516	RK 993RPDA C	6"
Kit consists of: Cover, Cover o-ring and Lubricant.		

Series 993 4" and 6"
Reduced Pressure Zone Backflow Preventer
Series 993RPDA 4" and 6"
Reduced Pressure Detector Assembly



Relief valve kits:

When ordering specify EDP No., Kit No. and Valve Size.

Series 993

EDP No.	Kit No.	Size
Relief Valve Rubber Parts		
888045	RK 993 RV	4"
888507	RK 993 RV	6"

Kit consists of: Relief valve diaphragm, Piston o-rings, Disc assembly, Seat o-ring and Lubricant.

Relief Valve Total		
888046	RK 993 VT	4"
888508	RK 993 VT	6"

Kit consists of: Relief valve stem assembly, Seat o-ring, and Lubricant.

Series 993RPDA

EDP No.	Kit No.	Size
Relief Valve Rubber Parts		
888405	RK 993RPDA RV	4"
888517	RK 993RPDA RV	6"

Kit consists of: Relief valve diaphragm, Piston o-rings, Disc assembly, Seat o-ring and Lubricant.

Relief Valve Total		
888406	RK 993RPDA VT	4"
888518	RK 993RPDA VT	6"

Kit consists of: Relief valve stem assembly, Seat o-ring, and Lubricant.