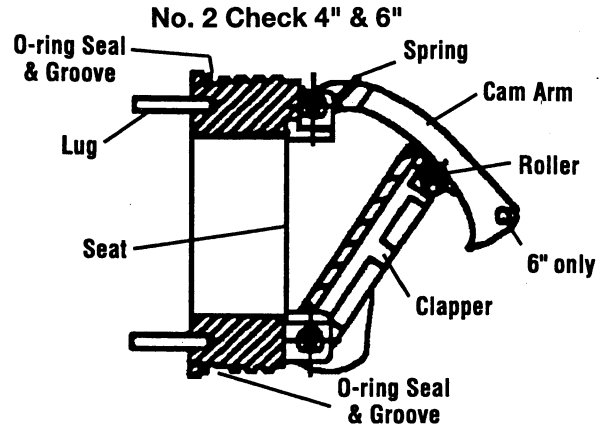
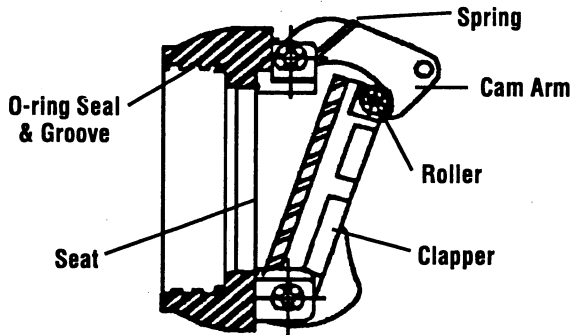


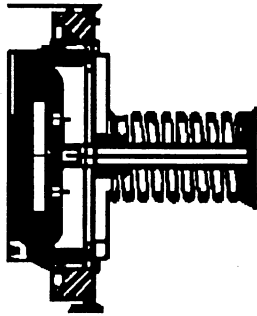
Series 994 4" to 10" Reduced Pressure Zone Backflow Preventer

Series 994RPDA 4" to 10" Reduced Pressure Detector Assembly

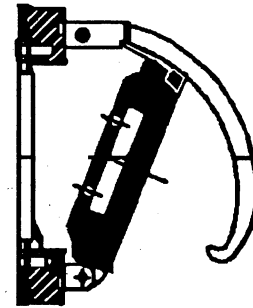
No. 1 Check 4" & 6"



No. 1 Cam-Check 8" & 10"



No. 2 Cam-Check 8" & 10"



When ordering specify Order Code No., Kit No., and Valve Size.

994/994RPDA Repair Kits

Order Code No.	Kit No.	Size
First Check Kit		
888830	RK 994/994 RPDA CK1	4"
888831	RK 994/994 RPDA CK1	6"
888832	RK 994/994 RPDA CK1	8", 10"

Kit consists of: Complete No. 1 Check with Check o-ring.

Second Check Kit		
888833	RK 994/994 RPDA CK2	4"
888834	RK 994/994 RPDA CK2	6"
888835	RK 994/994 RPDA CK2	8", 10"

Kit consists of: Complete No. 2 Check with Check o-ring.

Cover Kit		
888836	RK 994/994 RPDA C	4"
888837	RK 994/994 RPDA C	6"
888838	RK 994/994 RPDA C	8", 10"

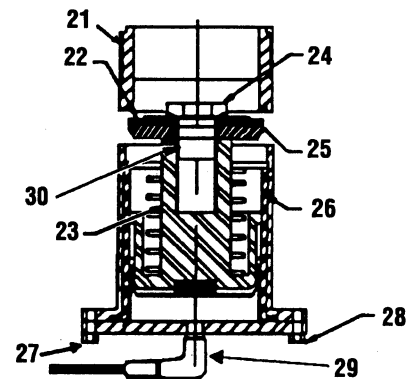
Kit consists of: Cover, Grooved coupler, Gasket.

Relief Valve Rubber Parts Kit		
888839	RK 994/994 RPDA RV	4"-10"

Kit consists of: Rubber disc, Piston diaphragm assembly, Disc retainer, Relief valve body o-ring.

Relief Valve Total Kit		
888840	RK 994/994 RPDA VT	4"-10"

Kit consists of: Body, Disc, Piston diaphragm assembly, Hex head bolt, Disc retainer, Sleeve, Bottom bolt, Shut-off plate and Bottom flange.



Item No.	Part Description	Qty.
21	Relief valve body	1
22	Rubber shut-off disc	1
23	Piston diaphragm assembly	1
24	Hex head bolt	1
25	Disc retainer	1
26	Sleeve	1
27	Bottom bolt	1
28	Bottom flange (w. st. elbow)	1
29	Bottom St. Ell	1
30	O-ring disc	1