

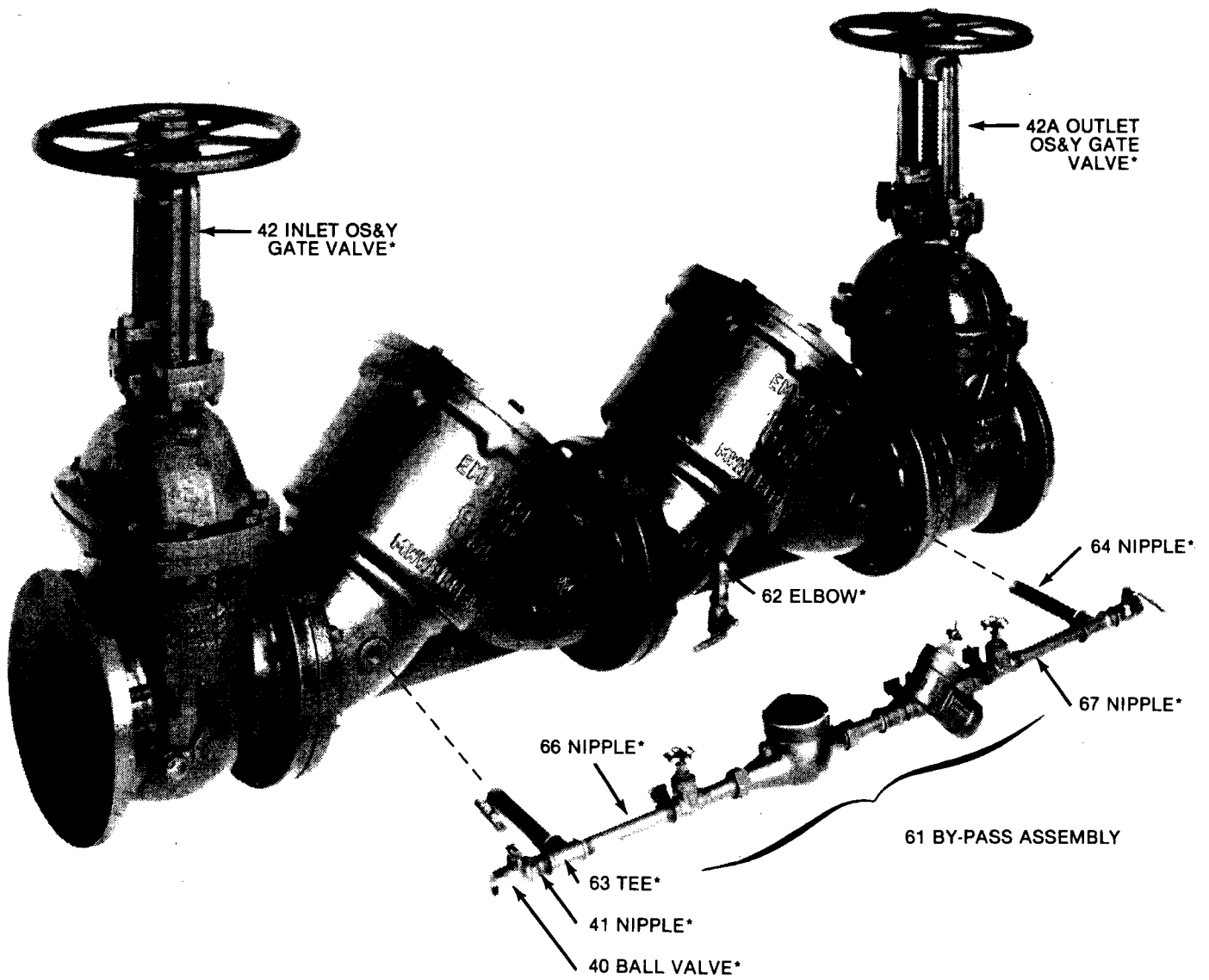
**Model 806DCDA
(4" - 10")**

PARTS LIST

FIG. NO.	DESCRIPTION	QTY.	SIZE 4"	SIZE 6"	SIZE 8"	SIZE 10"
	Spring	2	780-778	780-779	780-780	780-781
	Mainline Spring Assembly	2	902-514	902-515	902-516	902-517
	Seat Kit	2	902-384	902-383	902-382	902-381
42	Resilient Seated OS&Y	1	780-895	780-897	780-899	780-901
61	Bypass Assembly Kit w/o Meter	1	905-138	905-138	905-138	905-138
61B	Meter (Std.-Gal.)	1	780-666	780-666	780-666	780-666

**NOTE: Refer to 805Y for part numbers of all other parts.
The items listed above are used only on the Model 806DCDA and are not interchangeable with the Model 805Y.**

MODEL 806DCDA



61A COUPLING/ADAPTOR
61B METER
61C COUPLING
61D 805Y-3/4 LG

ITEMS NOT SHOWN:
65 REDUCING BUSHING (2)
(806-4" ONLY)

*COMMERCIAL PARTS

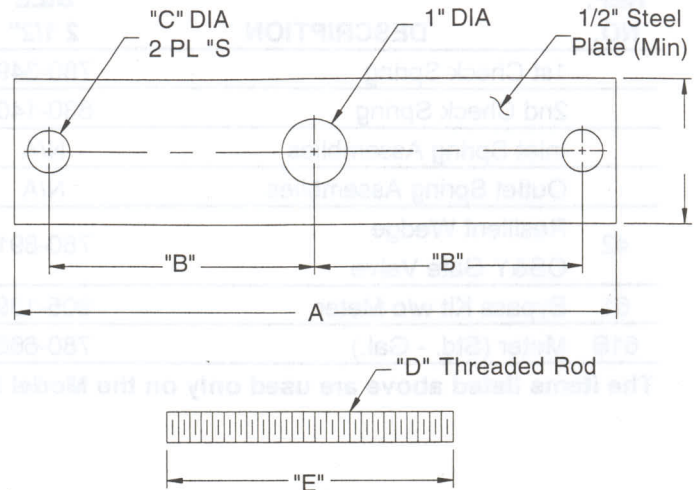
Spring Removal Tool

Dimensions (Inches)					
Valve Size	A	B	C	D	E
4"	9 1/2	4 1/4	5/8	1/2 - 13	5 1/2
6"	12 1/2	5 5/8	3/4	5/8 - 11	5 1/2
8"	14 1/4	6 3/8	7/8	3/4 - 10	7
10"	16 1/2	7 1/2	7/8	3/4 - 10	7

NOTE: This information is provided to expedite servicing of FEBCO products. One tool may be fabricated for use on all required sizes by drilling all holes at appropriate dimensions in a single steel plate of maximum required length.

To order a FEBCO spring removal tool order part number 905-121

CAUTION: To avoid possible injury during use, do not fabricate tool from lesser strength material or to smaller dimensions than the minimums shown.



Seat Ring Tool

For Model 825 Only.

Dimensions (Inches)					
Valve Size	A	B	C	D	E
1 1/2"	1 1/2	6	3/8	3/4	3/4
2"	1 1/2	6	3/8	3/4	3/4
2 1/2"	2 1/2	8	1/2	1	1
3"	3	8	1/2	1	1
4"	4	9	1/2	1	1
6"	6	10	5/8	1	1
8"	8	12	5/8	1	1
10"	8	12	5/8	1	1

NOTE: This information is provided to expedite servicing of FEBCO products.

