

**Model 850,
856, 870, 876,
870V & 876V
(2 1/2"-10")**

PARTS AND MATERIALS LIST

ITEM	DESCRIPTION	MATERIALS	ITEM	DESCRIPTION	MATERIALS
1	Body	A536 GR 65-45-12	12.1	Bushing-Spr. Stem	Acetal Resin
2	Cover (w/hole)	A536 GR 65-45-12	13	Pivot Bearing	B585 Alloy C83600
2.1	O-Ring	EPDM ASTM D2000	14	Flange Gasket	Rubber/Fabric
2.2	Cap Screw	Plated Steel	15	Bearing Socket	Acetal Resin
2.3	Hex Nut	Plated Steel	16	Hex Jam Nut (2 1/2"-8")	18-8 SS
2.4	Expansion Pin	Stainless Steel		Capscrew (10")	18-8 SS
2.5	Cover (w/o hole)	A536 GR 65-45-12	17	Washer	302 SS
3	Seat Ring	B584 Alloy C83600	18	Flange Bolt	Plated Steel
3.1	Gasket	EPDM ASTM D2000	18.1	Flange Nut	Plated Steel
4	Arm	B584 Alloy C83600	19	Cover	B584 Alloy C83600
4.1	Bushing-Swing Pin	Acetal Resin	24	Bolt	Plated Steel
4.2	Swing Pin	Stainless Steel	25	Bolt	Plated Steel
5	Retaining Clip	Stainless Steel	26	Gasket	EPDM ASTM D2000
5.1	Retaining Clip	Stainless Steel	35	O-Ring	EPDM ASTM D2000
6	Check Disk (2 1/2"-8")	EPDM Coated GR, 45	35.1	Back-Up Ring	Acetal Resin
		Ductile Iron with	38	Cover	B584 Alloy C83600
		304 SS stem	40	Ball Valve	B584 Alloy C84400
	Seat Disc (10")	Silicone ASTM D2000	41	Nipple	Brass
6.1	Disc Holder (10" Only)	ASTM A743 304 SS	42	Gate Valve (NRS)	AWWA C509
6.2	Disc Retainer (10" only)	ASTM A743 304 SS	43	Bulkhead Fitting	B584 Alloy C83600
6.3	Capscrew (10" only)	Stainless Steel	43.1	Bulkhead Fitting	B584 Alloy C83600
7	Load Pin	Stainless Steel	44	Bulkhead Plug	B584 Alloy C83600
8	Lwr Spring Retr	B584 Alloy C83600	45	Gasket	EPDM ASTM D2000
9	Spring Stem	Stainless Steel	45.1	Gasket	EPDM ASTM D2000
9.1	Electric Stop Jam Nut	Stainless Steel	46	Washer	B36 Alloy 260
10	Spring	A313 Type 631 SS	46.1	Washer	B36 Alloy 260
10.2	Spring Shim	A313 Type 631 SS	47	Nut	B584 Alloy C83600
10.3	Spring Shim	Acetal Resin	47.1	Nut	B584 Alloy C83600
11	Spring Guide	B130 Alloy C22000	70	Clamp (870V and 876V ONLY).	AWWA C606
12	Upr Spring Retr	B584 Alloy C83600			

REPAIR KITS: MODELS 850,856,870, 876, 870V, and 876V

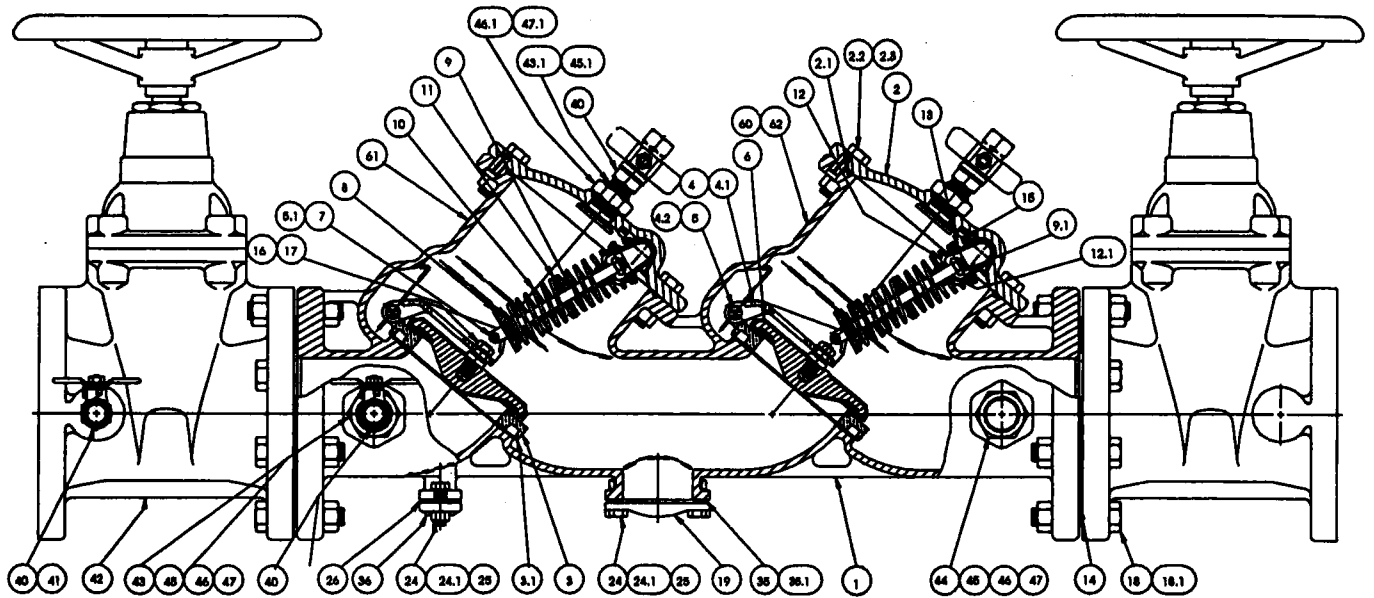
Description	2 1/2"	3"	4"	6"	8"	10"
850/870 DC Inlet Spring Module (items 5.1, 7, 8, 9, 9.1, 10, 11, 12, 12.1)	905-142	905-142	905-143	905-144	905-145	905-146
856/876 DCDA Inlet Spring Module (items 5.1, 7, 8, 9, 9.1, 10, 10.2, 11, 12, 12.1)	905-147	905-147	905-148	905-149	905-150	905-151
850/870 DC Outlet Spring Module (items 5.1, 7, 8, 9, 9.1, 10, 11, 12, 12.1)	905-142	905-142	905-143	905-144	905-145	905-146
856/876 DCDA Outlet Spring Module (items 5.1, 7, 8, 9, 9.1, 10, 10.2, 10.3, 11, 12, 12.1) (8"-item 10.3)	905-147	905-147	905-148	905-149	905-150	905-151
850/856 Disc Assembly (items 6, 16, 17) (10"-item 6 only)	905-182	905-182	905-153	905-154	905-155	400-145
870/876 Disc Assembly (items 6, 16, 17) (10"-item 6 only)	905-152	905-152	905-153	905-154	905-155	400-145
Seat Ring / Arm Assembly (items 3, 3.1, 3.2, 3.3, 3.4, 4, 4.1, 4.2, 5)	905-157	905-157	905-158	905-159	905-160	905-161
850/856 Rubber Kit (items 2.1, 3.1, 6, 15, 26, 35, 35.1, 45, 45.1)	905-249	905-249	905-163	905-164	905-165	905-166
870/876 Rubber Kit (items 2.1, 3.1, 6, 15, 26, 35, 35.1, 45, 45.1)	905-162	905-162	905-163	905-164	905-165	905-166
850/856 Cover Assembly both checks/880(V) Inlet Check only (items 2, 2.1, 2.4, 15)	905-167	905-167	905-168	905-169	905-170	905-171
870(V)/876(V) Cover Assembly Outlet Check only (items 2.1, 2.5, 15)	905-244	905-244	905-245	905-246	905-247	905-248
Bulkhead Fittings Assembly Cover (items 43.1, 45.1, 46.1, 47.1)	905-275	905-275	905-275	-	-	-
Bulkhead Fittings Assembly Cover (items 43, 45, 46, 47)	905-276	905-276	905-276	-	-	-
Bulkhead Fittings Assembly Body & Cover (items 43, 45, 46, 47)	905-277*	905-277*	905-277*	905-277	905-277	905-277
Bulkhead Plug Assembly 2nd Check Cover (N & V Units) Early Prod.-(items 44, 45.1, 46.1, 47.1)	905-278	905-278	905-278	-	-	-
Bulkhead Plug Assembly 2nd Check Cover (N & V Units) Early Prod.-(items 44, 45, 46, 47)	-	-	-	905-279	905-279	905-279

* Models 856 and 876 only Some of the above items are only available as part of a repair kit.

Cut-a-way views

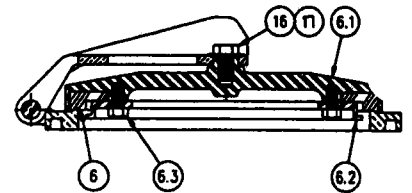
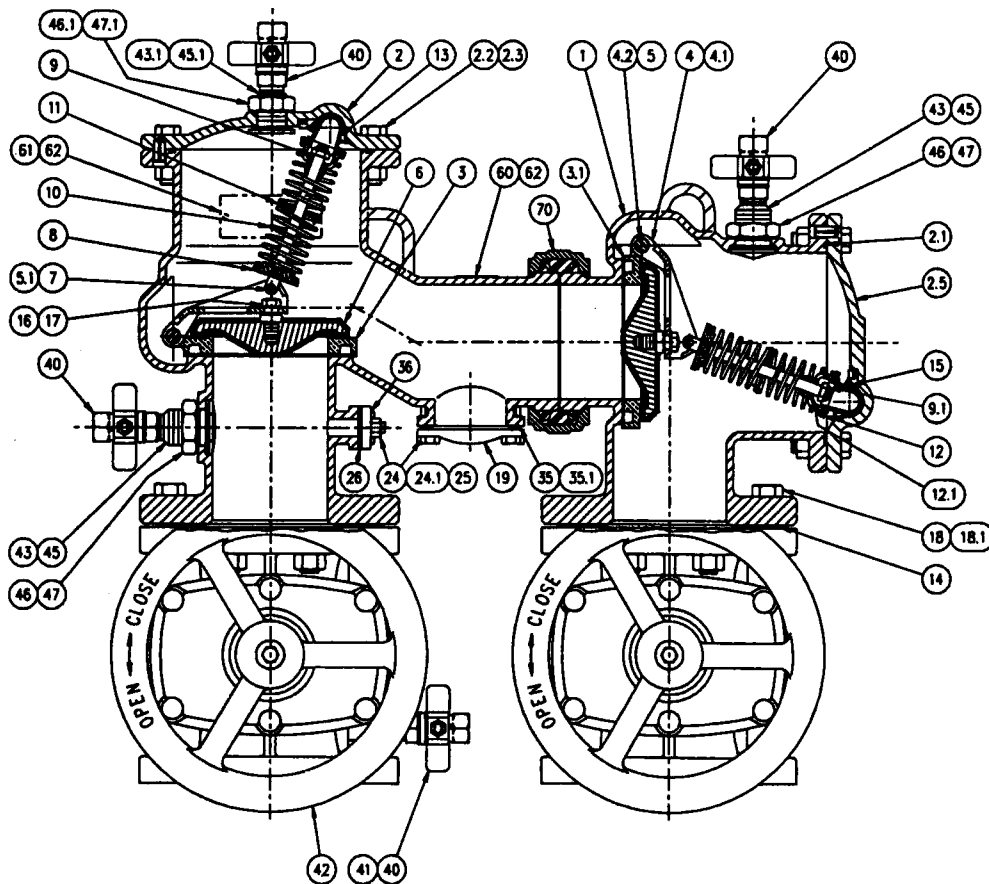
(2 1/2"-10")

MODEL 850 CUT-A-WAY

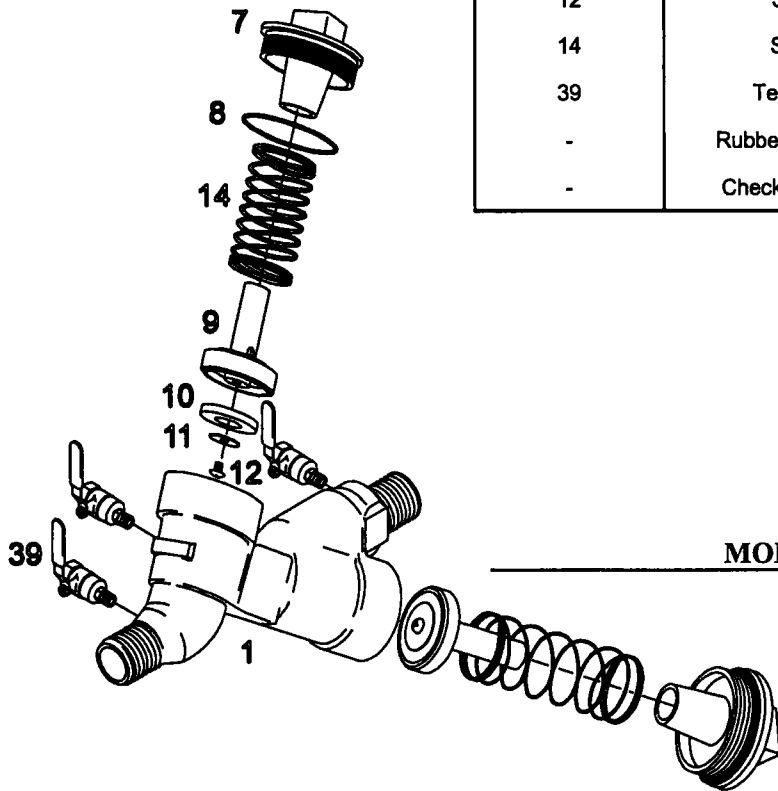
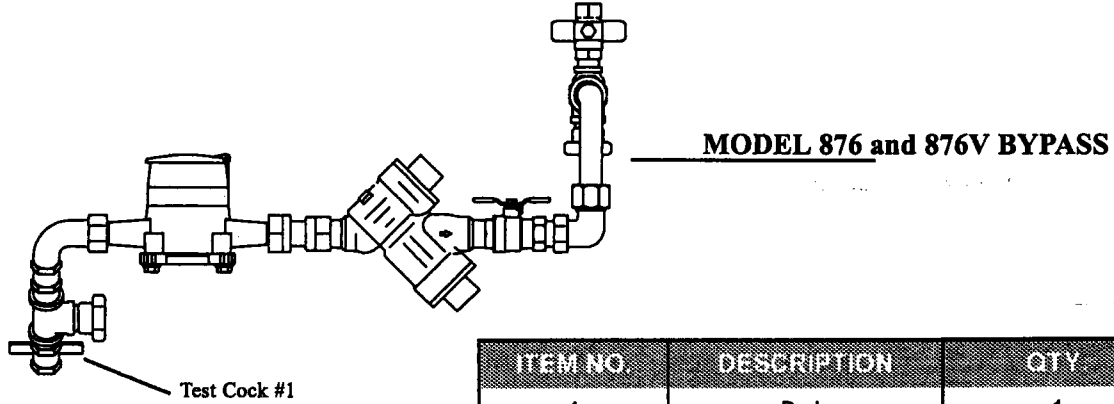
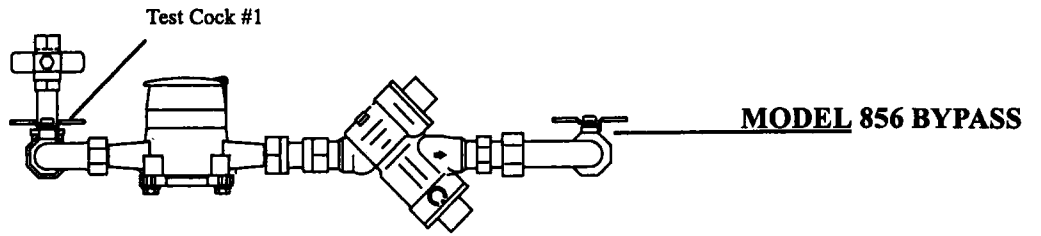


MODEL 870 AND 870V
(STANDARD CONFIGURATION)
CUT-A-WAY

10" DISC ASSEMBLY



805YB 3/4" bypass



ITEM NO.	DESCRIPTION	QTY	PART NUMBER
1	Body	1	-
7	Cap	2	-
8	O-Ring	2	-
9	Disc Holder	2	-
10	Seat Disc	2	-
11	Washer	2	-
12	Screw	2	-
14	Spring	2	-
39	Test Cock	3	781074
-	Rubber Repair Kit	1	905042
-	Check Assembly	2	905044

MODEL 805YB 3/4" BYPASS