

# Model 826 Type YD (2-1/2" - 10") Parts

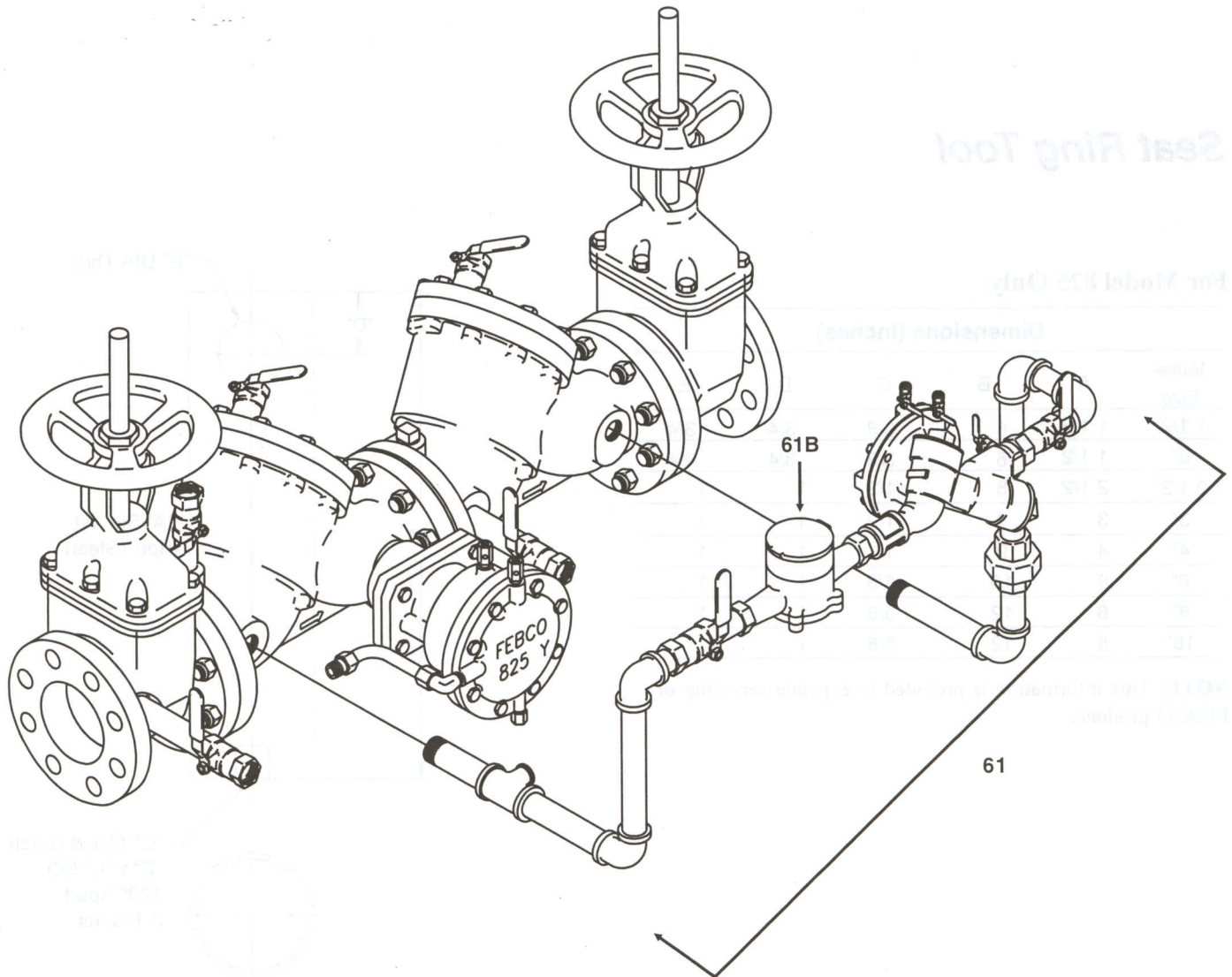
## Relief Valve with Bypass: Model 826YD

REF. NO.	DESCRIPTION	SIZE 2 1/2"	SIZE 3"	SIZE 4"	SIZE 6"	SIZE 8"	SIZE 10"
	1st Check Spring	780-349	780-350	630-142	630-143	630-144	630-145
	2nd Check Spring	630-140	630-141	780-778	780-779	780-780	780-781
	Inlet Spring Assemblies	N/A	N/A	902-623	902-624	902-625	902-626
	Outlet Spring Assemblies	N/A	N/A	902-514	902-515	902-516	902-517
42	Resilient Wedge OS&Y Gate Valve	780-891	780-893	780-895	780-897	780-899	780-901
61	Bypass Kit w/o Meter	905-139	905-139	905-139	905-139	905-139	905-139
61B	Meter (Std. - Gal.)	780-666	780-666	780-666	780-666	780-666	780-666

The items listed above are used only on the Model 826YD and are not interchangeable with the Model 825YD.

## Reduced Pressure Detector

### Model 826YD



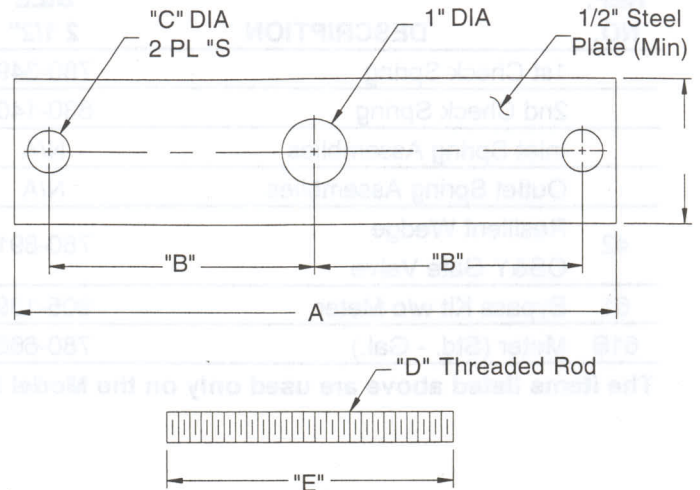
# Spring Removal Tool

Dimensions (Inches)					
Valve Size	A	B	C	D	E
4"	9 1/2	4 1/4	5/8	1/2 - 13	5 1/2
6"	12 1/2	5 5/8	3/4	5/8 - 11	5 1/2
8"	14 1/4	6 3/8	7/8	3/4 - 10	7
10"	16 1/2	7 1/2	7/8	3/4 - 10	7

**NOTE:** This information is provided to expedite servicing of FEBCO products. One tool may be fabricated for use on all required sizes by drilling all holes at appropriate dimensions in a single steel plate of maximum required length.

To order a FEBCO spring removal tool order part number 905-121

**CAUTION:** To avoid possible injury during use, do not fabricate tool from lesser strength material or to smaller dimensions than the minimums shown.



# Seat Ring Tool

For Model 825 Only.

Dimensions (Inches)					
Valve Size	A	B	C	D	E
1 1/2"	1 1/2	6	3/8	3/4	3/4
2"	1 1/2	6	3/8	3/4	3/4
2 1/2"	2 1/2	8	1/2	1	1
3"	3	8	1/2	1	1
4"	4	9	1/2	1	1
6"	6	10	5/8	1	1
8"	8	12	5/8	1	1
10"	8	12	5/8	1	1

**NOTE:** This information is provided to expedite servicing of FEBCO products.

