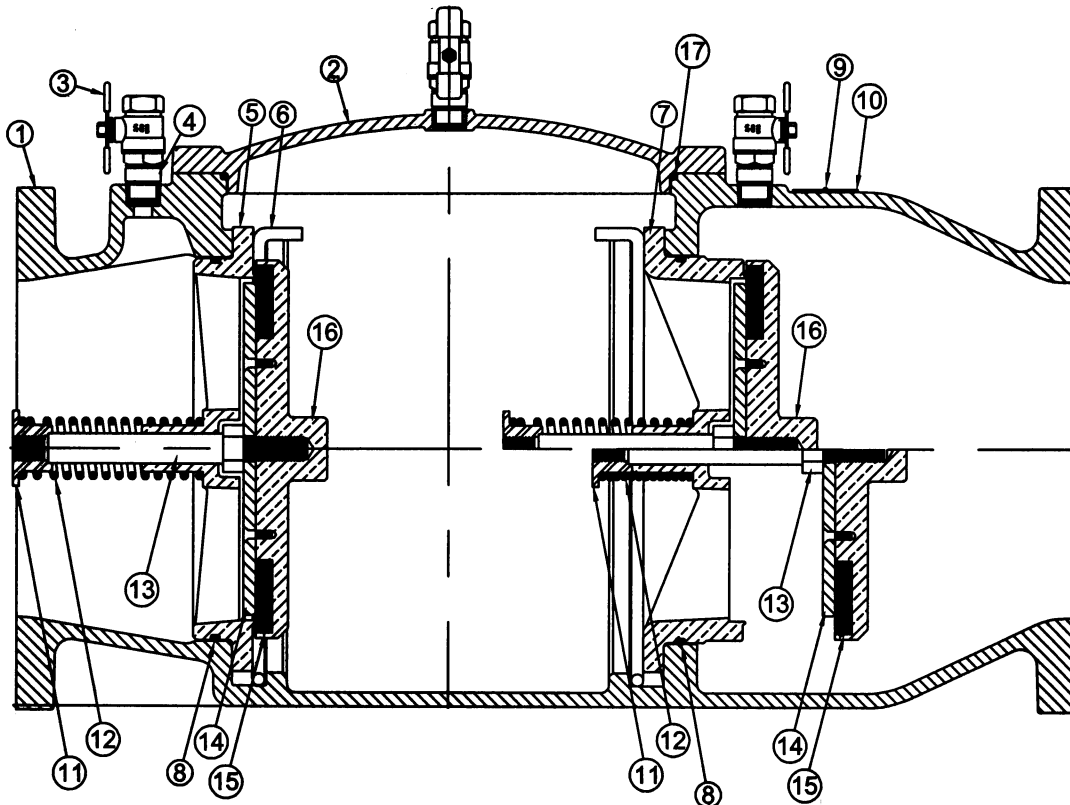


Note: Repair kits on page FM11

CV = Check Valve * = Items are Epoxy Coated
Items 20-26 are not shown on drawing

Item #	Qty	Description	Material	ASTM	Item #	Qty	Description	Material	ASTM
1	1	Body	Ductile Iron*	60-40-18	14	1	2nd CV Stem Retainer	Stainless Steel	304
2	1	Cover	Ductile Iron*	60-40-18	15	1	2nd CV Spring	Stainless Steel	302
3	4	Ball Valve	Unleaded Bronze	C90500	16	1	2nd CV Seat Ring	Noryl GFN2-780S	-----
4	1	Cover Gasket	Nitrile/Nylon	-----	17	3	Nipple	Red Brass	-----
5	1	1st CV Stem Retainer	Stainless Steel	304	18	1	ID Tag	Brass	-----
6	1	1st CV Spring	Stainless Steel	302	19	2	Grip Nail	Stainless Steel	304
7	2	CV Stem	Stainless Steel	304	20	2	NRS Gate Valve	Cast Iron*	-----
8	1	1st CV Seat Ring	Unleaded Bronze	C89833	21	8	Bolt	Galvanized Steel	-----
9	2	CV O'Ring	Buna-n	-----	22	8	Nut	Galvanized Steel	-----
10	2	CV Disc Retainer	Stainless Steel	304	23	8	Bolt	Stainless Steel	18-8
11	2	CV Disc	Silicone Rubber	-----	24	2	Ring Gasket	Buna-n	-----
12	2	CV Spring Clip	Stainless Steel	302	25	1	Nipple	Red Brass	-----
13	2	CV Disc Holder	Unleaded Bronze	C89833	26	1	NPT Plug	Zinc Plated	-----



Note: Repair kits on page FM11

Item #	Qty	Description	Material	ASTM	Item #	Qty	Description	Material	ASTM
1	1	Body	Ductile Iron*	60-40-18	13	2	CV Stem	Stainless Steel	304
2	1	Cover	Ductile Iron*	60-40-18	14	2	CV Disc Retainer	Stainless Steel	304
3	4	Ball Valve	Unleaded Bronze	C90500	15	2	CV Disc	Silicone Rubber	-----
4	4	Nipple	Red Brass	-----	16	2	CV Disc Holder	Unleaded Bronze	C89833
5	1	1st CV Seat Ring	Unleaded Bronze	C89833	17	1	Cover O'Ring	Buna-n	-----
6	2	CV Spring Clip	Stainless Steel	302	18	2	R.W. NRS Gate Valve	Cast Iron*	-----
7	1	2nd CV Seat Ring	Unleaded Bronze	C89833	19	1	3/4" NPT Pipe Plug	Bronze	B584
8	2	CV Seat O'Ring	Buna-n	-----	20	24	Nut	Galvanized Steel	-----
9	2	Grip Nail	Stainless Steel	304	21	24	Bolt	Galvanized Steel	-----
10	1	ID Tag	Brass	-----	22	2	Ring Gasket	Silicone Rubber	-----
11	2	CV Spring Retainer	Stainless Steel	304	23	16	Bolt	Stainless Steel	18-8
12	2	CV Spring	Stainless Steel	302	CV = Check Valve RV = Relief Valve * = Items are Epoxy Coated Items 18-23 are not shown on drawing				

Repair Kits

FLOMATIC®

Models:

DCV
DCVE

Size	1st Check	2nd Check	Rubber Kit
3/4" & 1"	89855P0	89849P0	B91RK00
1 1/2" & 2"	89855P3	89849P3	B91RK03
2 1/2" & 3"	89855P5	89849P5	B91RK05
4"	89855P7	89849P7	B91RK07
6"	89855P9	89849P9	B91RK09
8"	89855P10	89849P10	B91RK10