

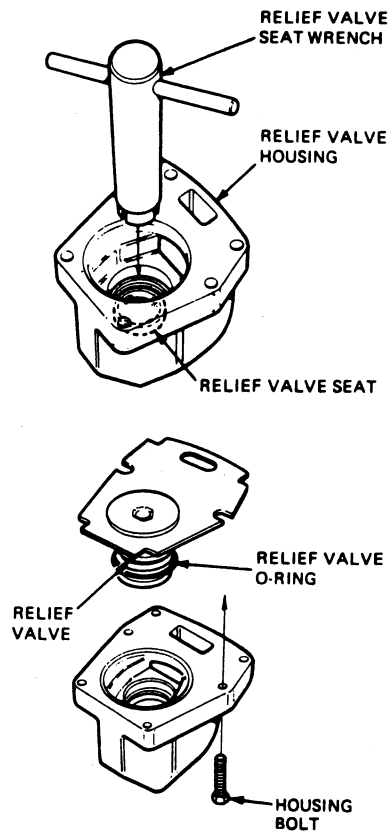
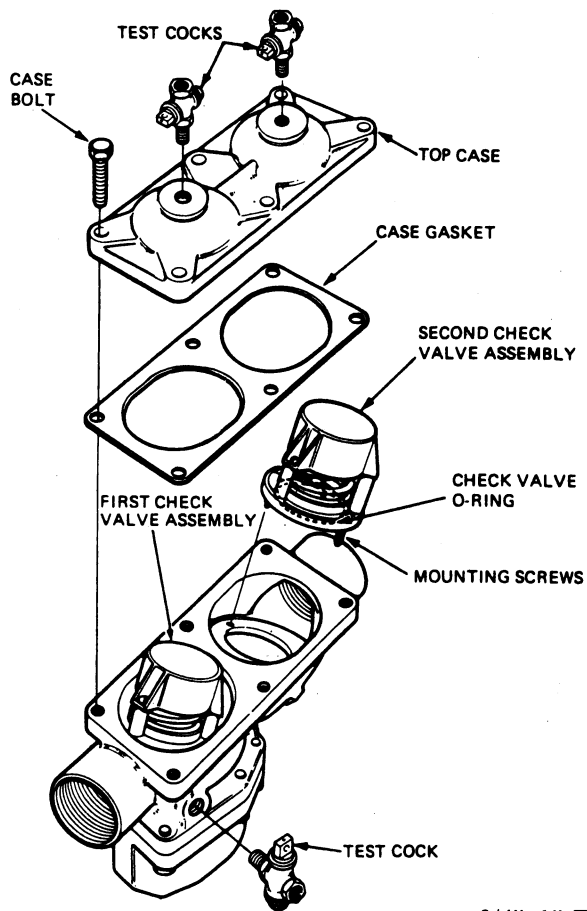
FRP 3/4" AND 1" REPLACEMENT PARTS

	Part No.	
COMPLETE VALVE KIT — FRP I	3/4"-1" 65554	RELIEF VALVE AIR GAP FITTING KIT 65639
FRP II	65627	
Includes:		RELIEF VALVE SEAT 65524
First Check Valve Assembly		INSTALLATION KIT
Second Check Valve Assembly		Includes:
Relief Valve Assembly		Relief Valve Seat
Case Gasket		Relief Valve Seat Wrench
Check Valve O-rings (2)		Relieve Valve Adhesive/Sealant
Relieve Valve O-ring		
Check Valve Mounting Screws (4)		
 FIRST CHECK VALVE KIT	 65555	
Includes:		OTHER PARTS:
First Check Valve Assembly		Relief valve cover-FRP II 65624
Check Valve O-ring		Relief valve housing w/seat
Case Gasket		Ring-FRP I N/A
Mounting Screws (2)		Top case 65531
 SECOND CHECK VALVE KIT	 65556	Bottom case-FRP II 3/4" 65623
Includes:		Bottom case-FRP II 1" 65622
Second Check Valve Assembly		Bottom case-FRP I N/A
Check Valve o-ring		Case bolts -FRP I 90026 (12)
Case Gasket		Case bolts-FRP II 90026 (12)
Mounting Screws (2)		Test cocks 96339 (3)
 RELIEF VALVE KIT — FRP I	 65557	Check valve mounting screws 98116 (4)
FRP II	65628	Case gasket 65534
Includes:		(Figures in parentheses after part number indicate number of parts required, if more than one.)
Relief Valve		
O-ring Seal		

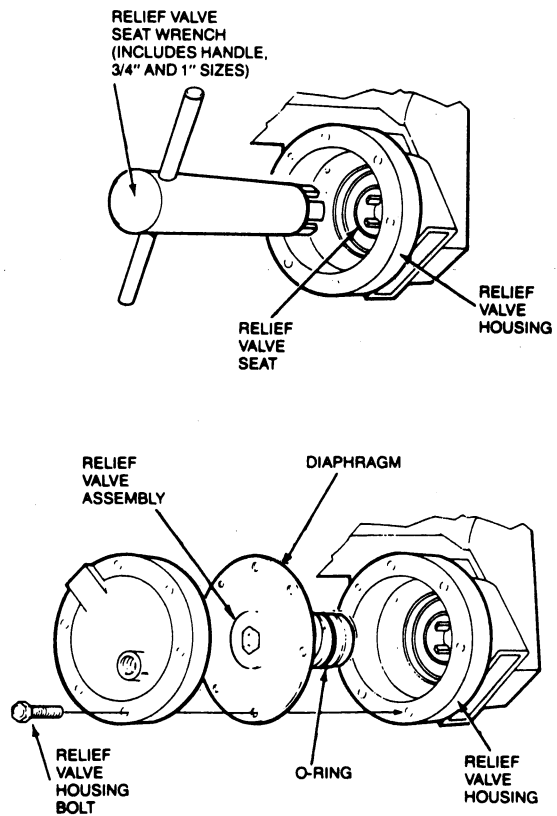
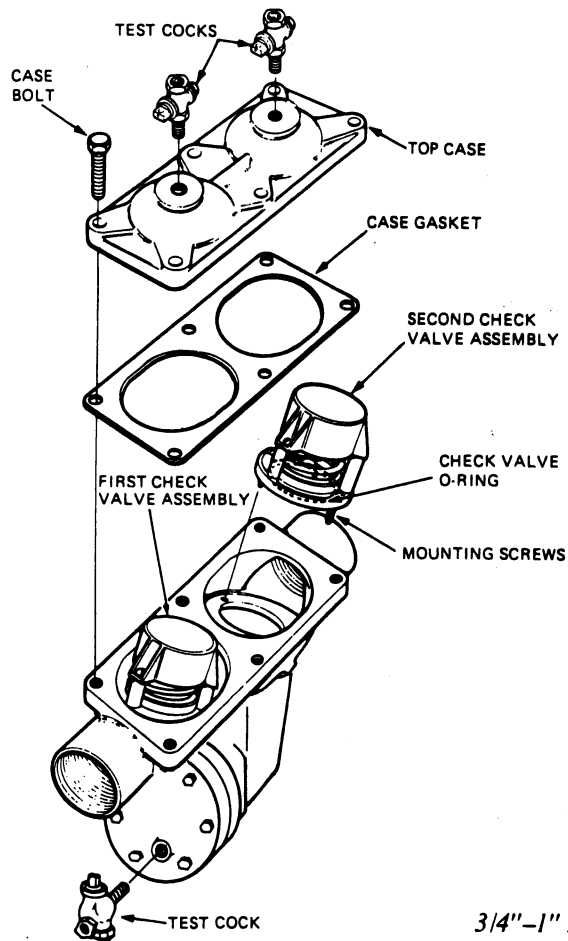
BASIC REPAIR KIT

Rubber repair kit contains all rubber discs, O'rings, quad ring, diaphragm, mounting screws, and gasket

<u>SIZE</u>	<u>KIT NO</u>
FRP II 3/4"-1"	65668



3/4"-1" FRP-I REPLACEMENT PARTS



3/4"-1" FRP-II REPLACEMENT PARTS