

FRP 1 1/4", 1 1/2" and 2" FRP-II REPLACEMENT PARTS

If more than one part per unit is required, quantity is indicated in parentheses after part number.

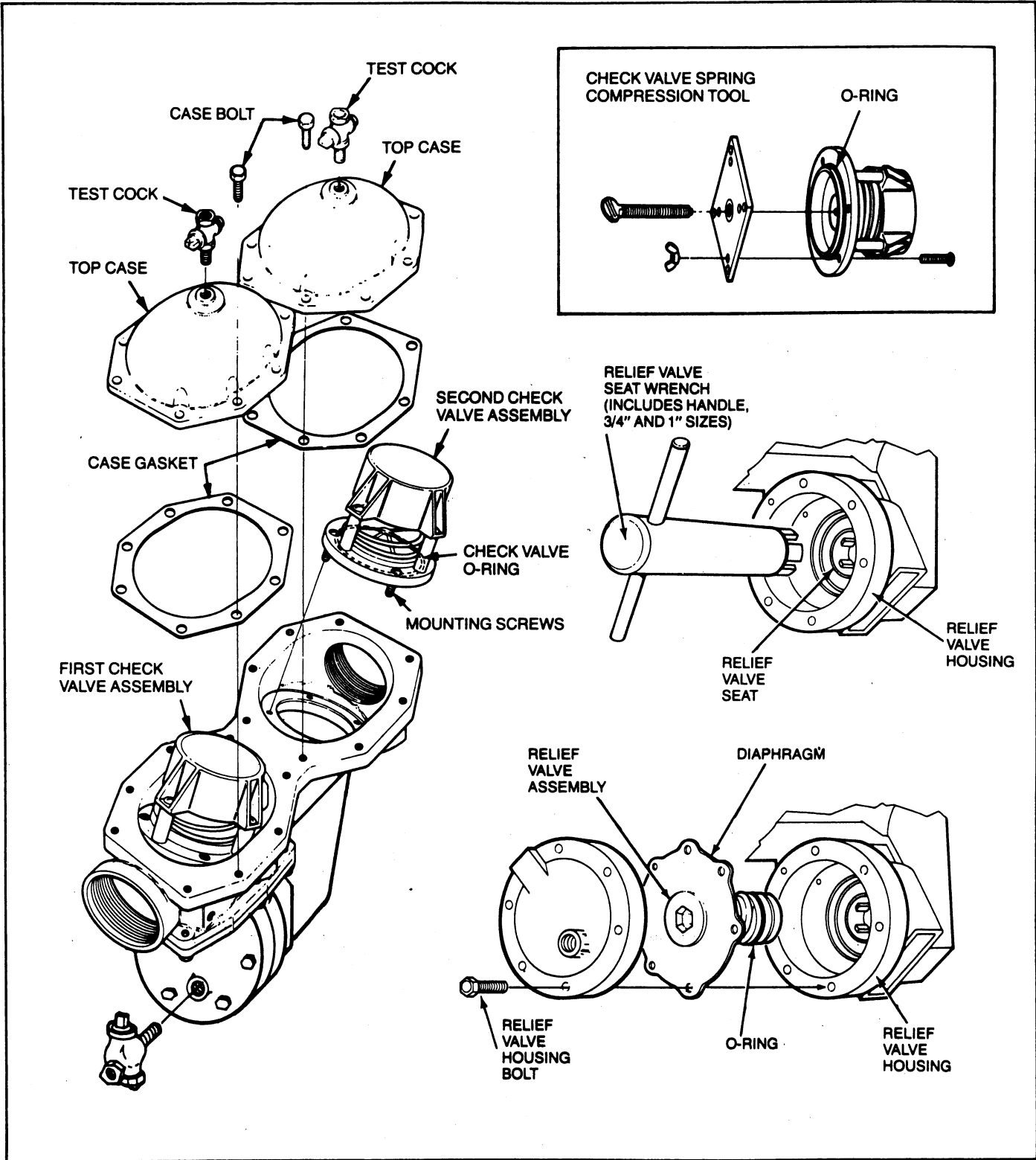
	Part No. 1 1/4", 1 1/2"	Part No. 2"
COMPLETE VALVE KIT		
Includes:	65525	65543
First Check Valve Assembly		
Second Check Valve Assembly		
Relief Valve Assembly		
Case Gaskets (2)		
Check Valve O-rings (2)		
Relief Valve O-ring		
Check Valve Mounting Screws (8)		
FIRST CHECK VALVE KIT	65526	65544
Includes:		
First Check Valve Assembly		
Check Valve O-ring		
Case Gasket		
Mounting Screws (4)		
SECOND CHECK VALVE KIT	65527	65545
Includes:		
Second Check Valve Assembly		
Check Valve O-ring		
Case Gasket		
Mounting Screws (4)		
RELIEF VALVE KIT	65546	65546
Includes:		
Relief Valve		
O-Ring Seal		
RELIEF VALVE SEAT INSTALLATION KIT	65548	65548
Includes:		
Relief Valve Seat		
Relief Valve Seat Wrench		
Relief Valve Adhesive/Sealant		

BASIC REPAIR KIT

Rubber repair kit contains all rubber discs, O'rings, quad ring, diaphragm, mounting screws, and gasket

<u>SIZE</u>	<u>KIT NO</u>
1 1/4"-1 1/2"	65669
2"	65670

	Part No. 1 1/4", 1 1/2"	Part No. 2"
OTHER PARTS		
Relief Valve Cover	65632	65632
Top Case	65560(2)	65578(2)
Bottom Case	65631	65636
Case Bolts	90028(18)	90028(22)
Test Cocks	96339(3)	96339(3)
Check Valve Spring Compression Tool	65572	65572
Check Valve Mounting Screws	98174(8)	98174(8)
1 1/2" x 1 1/4" Reducing Bushing (1 1/4" only)	67016(2)	-----
Case Gasket	65568(2)	65595(2)



1 1/4", 1 1/2" AND 2" FRP II REPLACEMENT PARTS

* RELIEF VALVE AIR GAP FITTING KIT

65640