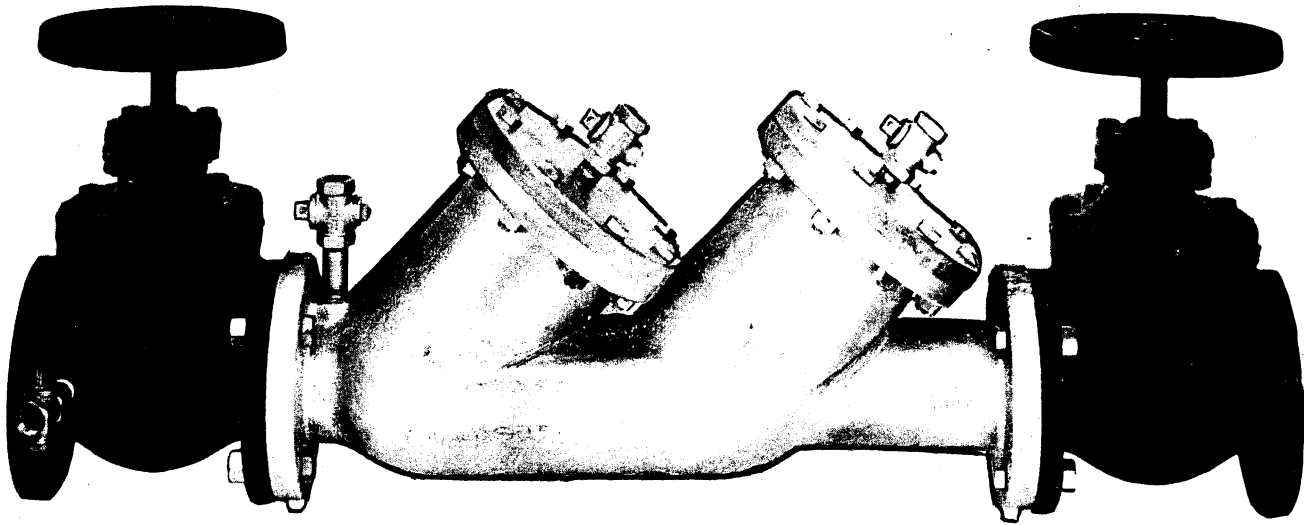


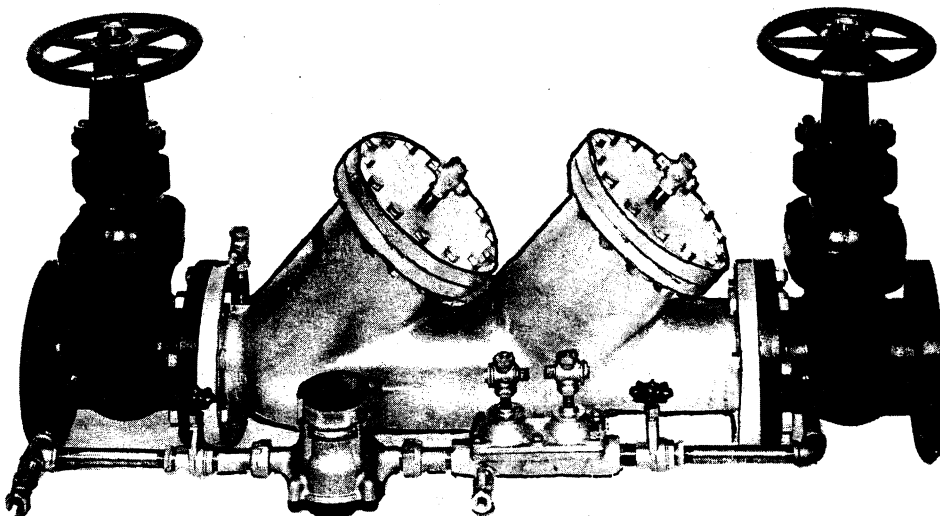
Model No. 2

Hersey[®]
PRODUCTS



*REPAIR PARTS AND RUBBER PARTS KITS ON PAGE H17

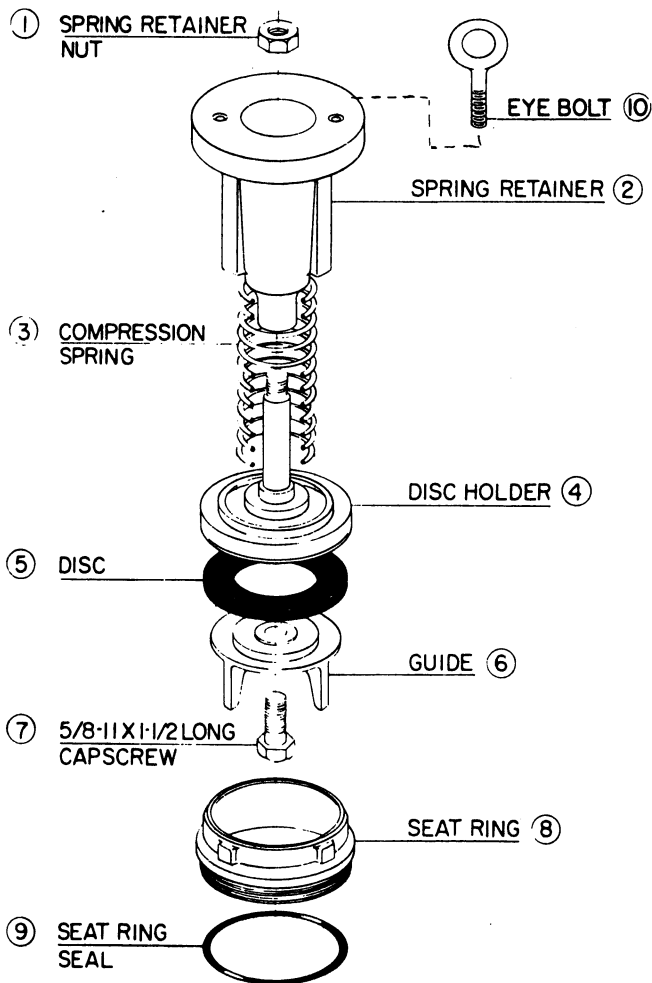
Model DDC II



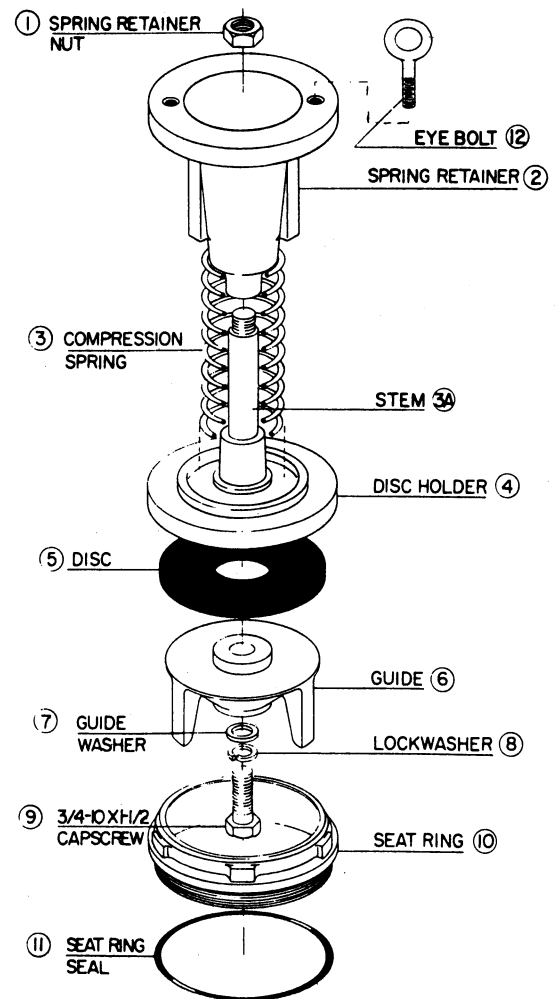
If more than one part is required per assembly, quantity is indicated in parentheses after part number.

ILLUS. NO.	DESCRIPTION	3" PART NO.	4" PART NO.	6" PART NO.
	Cover Bolt	90129(8)	90168(14)	90292(16)
	Cover Nut	90151(8)	90151(14)	90251(16)
	Cover	63302	63402	63602
	Cover Gasket	63304	63404	63604
1	Spring Retainer Nut	90260	90336	90336
2	Spring Retainer	63309	63409	63609
3	Spring	61388	62304	61485
4	Disc Holder	61832	61852	61892
5	Disc	62334	62335	63605
6	Guide	63311	63411	63611
7	Guide Cap Screw	90282	90282	90382
8	Seat	63306	63406	63606
9	O-Ring	98335	98336	98337
1-11	Complete Valve Assembly	63313	63413	63613

ILLUS. NO.	DESCRIPTION	8" PART NO.	10" PART NO.
	Cover Bolt	90141(14)	90360(2)
	Cover Bolt	90140(2)	90371(16)
	Cover Nut	90358(14)	90372(16)
	Cover	63802	63902
	Cover Gasket	63804	63904
1	Spring Retainer Nut	90336	90373
1A	Eyebolt	90198	90199
2	Spring Retainer	63809	63909
3	Spring	63808	63908
3A	Stem	63852	62238
4	Disc Holder	61275	62235
5	Disc	63810	63910
6	Guide	61754	62236
7	Guide Washer	63820	63820
8	Lockwasher	90337	90337
9	Guide Cap Screw	90381	90381
10	Seat	63806	63906
11	O-Ring	98343	98340
1-11	Complete Valve Assembly	63813	63913



CHECK VALVE ASSEMBLY
2 1/2" - 6" HERSEY NO. 2



CHECK VALVE ASSEMBLY
8" - 10" HERSEY NO. 2

MODEL 6CM FITTINGS AND TOOLS

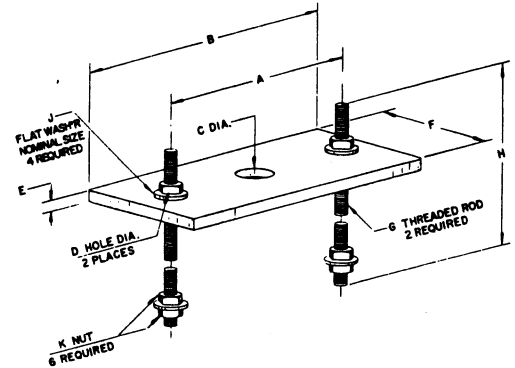
If more than one part is required per unit, quantity is indicated in parenthesis after part number.

RELIEF VALVE AIR GAP FUNNEL KITS

SIZE	PART NO.
(2½" - 6")	63358
(8", 10")	63858

Two sizes are provided: one for installation on 2½"-6" devices; and the second for installation on 8" and 10" devices. The internal thread size is 2"-11½ NPT on the funnel for 2½"-6" devices; and 4"-8 NPT on the funnel for 8" and 10" devices. Both fittings are available as kits which include the fitting and two connection bolts.

8" and 10" Relief Valve upper seat removal tool - part no. 6162-2 (not illustrated).

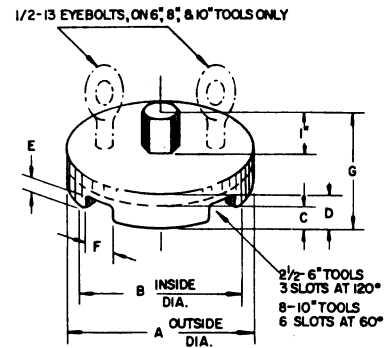


HERSEY PART NO.	SIZE DEVICE	A IN.	B IN.	C IN.	D IN.	E IN.	F IN.	G IN.	H IN.	J IN.	K IN.
63360	2½"	6	7½	1½	½	¼	4	7/16-14	12½	7/16	7/16-14
63360	3"	7	8½	1¾	¾	¼	4	½-13	17	½	½-13
63460	4"	8¼	9¾	2	1	½	4	½-13	17	½	½-13
63660	6"	11	13	2	1	½	6	½-13	17	½	½-13
63860	8"	14¾	17	2	1	½	6	¾-10	30	¾	¾-10
63960	10"	18	21	2½	1	½	6	¾-10	30	¾	¾-10

SPRING REMOVAL TOOLS

MODEL 6CM MAIN & CHECK VALVE SEAT REMOVAL TOOLS

SIZE	TOOL PART NO.
2 1/2"	63553
3"	63353
4"	63453
6"	63653
8"	63853
10"	63953



MODEL 6CM SPRING REMOVAL TOOLS

SIZE	TOOL PART NO.
2 1/2"	63560
3"	63360
4"	63460
6"	63660
8"	63860
10"	63960

HERSEY PART NO.	SIZE DEVICE	A IN.	B IN.	C IN.	D IN.	E IN.	F IN.	G IN.
63553	2½"	3 11/16	3 3/8	1 1/16	1 5/16	1/4	9/16	1 5/16
63353	3"	4 5/16	4	1 1/16	1 5/16	5/16	1 3/16	1 7/16
63453	4"	5 7/16	5	1 3/16	1 7/16	5/8	1 1/16	2 1/16
63653	6"	7 13/16	7 7/16	1 5/16	1 5/16	3/4	1 1/16	2 3/16
63853	8"	10 3/4	9 5/8	1 1/8	1 3/8	3/8	1 1/8	2 3/8
63953	10"	12 1/2	11 3/32	1 3/16	1 9/16	1"	1 3/8	2 9/16

MAIN & CHECK VALVE SEAT REMOVAL TOOLS

HERSEY NO. 2 CHECK VALVE ASSEMBLY

If more than one part is required per unit, quantity is indicated in parenthesis after part number.

FITTINGS

DESCRIPTION	PART NO.
SIZE 3"	
Space Nipple (first testcock)	96263
Testcock	96443(3)
Coupling (first testcock)	96027
SIZE 4"	
Space Nipple (first testcock)	96263
Testcock	96443(3)
Coupling (first testcock)	96027
SIZE 6"	
Testcock	96444(3)
SIZE 8"	
Testcock	96444(3)
SIZE 10"	
Testcock	96444(3)
3", 4" Inlet Gate Valve	
Testcock	96443
Space Nipple	96263
Coupling	96027
6", 8", 10" Inlet Gate Valve	
Testcock	96444
Space Nipple	96060
Coupling	96147

RUBBER PARTS KITS

DESCRIPTION	PART NO.
SIZE: 3"	
Rubber Parts Kits Complete	63351
CV Disc	62334(2)
CV Cover Gasket	63304(2)
CV O-Ring	98335(2)
SIZE: 4"	
Rubber Parts Kits Complete	63451
CV Disc	62335(2)
CV Cover Gasket	63404(2)
CV O-Ring	98336(2)
SIZE: 6"	
Rubber Parts Kits Complete	63651
CV Disc	63605(2)
CV Cover Gasket	63604(2)
CV O-Ring	98337(2)
SIZE: 8"	
Rubber Parts Kits Complete	63851
CV Disc	63810(2)
CV Cover Gasket	63804(2)
CV O-Ring	98343(2)
SIZE: 10"	
Rubber Parts Kits Complete	63951
CV Disc	63910(2)
CV Cover Gasket	63904(2)
CV O-Ring	98340(2)

HERSEY NO. 2 BODIES

SIZE	PART NO.
3"	63318
4"	63418
6"	63618
8"	63818
10"	63918