

Series M-400 Reduced Pressure Zone Assembly 2½" – 10"

Series M-500 Reduced Pressure Detector Assembly 2½" – 10"

| ORDERING CODE | KIT NO. | SIZE | CHECK DISK MATERIAL |
|---------------|---------|------|---------------------|
|---------------|---------|------|---------------------|

M400, M500 1st Check

| | | | |
|---------|---------------------|----------|--------------|
| 7010067 | ARK M400/M500 CK1 | 2½" - 3" | Red Silicone |
| 7010069 | ARK M400/M500 CK1 | 4" | Red Silicone |
| 7010070 | ARK M400/M500 CK1 | 6" | Red Silicone |
| 7010071 | ARK M400/M500 CK1 | 8" - 10" | Red Silicone |
| 7010066 | ARK M400/M500 CK1-E | 2½" - 3" | EPDM |
| 7010068 | ARK M400/M500 CK1-E | 4" | EPDM |

Kit includes: 1st Check Assembly, Check O-Ring and Lube

2nd Check

| | | | |
|---------|---------------------|----------|--------------|
| 7010073 | ARK M400/M500 CK2 | 2½" - 3" | Red Silicone |
| 7010075 | ARK M400/M500 CK2 | 4" | Red Silicone |
| 7010076 | ARK M400/M500 CK2 | 6" | Red Silicone |
| 7010077 | ARK M400/M500 CK2 | 8" - 10" | Red Silicone |
| 7010072 | ARK M400/M500 CK2-E | 2½" - 3" | EPDM |
| 7010074 | ARK M400/M500 CK2-E | 4" | EPDM |

Kit includes: 2nd Check Assembly, Check O-Ring and Lube

Check Rubber Parts Kit

| | | | |
|---------|---------------------|----------|--------------|
| 7010079 | ARK M400/M500 RC4 | 2½" - 3" | Red Silicone |
| 7010081 | ARK M400/M500 RC4 | 4" | Red Silicone |
| 7010082 | ARK M400/M500 RC4 | 6" | Red Silicone |
| 7010083 | ARK M400/M500 RC4 | 8" - 10" | Red Silicone |
| 7010078 | ARK M400/M500 RC4-E | 2½" - 3" | EPDM |
| 7010080 | ARK M400/M500 RC4-E | 4" | EPDM |

Kit includes: Shutoff Disk (1), Check O-Ring (1), E-Clip and Lube

Total Rubber Parts Kit

| | | | |
|---------|--------------------|----------|--------------|
| 7010085 | ARK M400/M500 RT | 2½" - 3" | Red Silicone |
| 7010087 | ARK M400/M500 RT | 4" | Red Silicone |
| 7010088 | ARK M400/M500 RT | 6" | Red Silicone |
| 7010089 | ARK M400/M500 RT | 8" - 10" | Red Silicone |
| 7010084 | ARK M400/M500 RT-E | 2½" - 3" | EPDM |
| 7010086 | ARK M400/M500 RT-E | 4" | EPDM |

Kit Includes: Shutoff Disk (2), Check O-Ring (2), Sleeve O-Ring (2), E-Clip (2), RV Diaphragm, RV Piston, RV E-Clip, RV O-Ring and Lube

Relief Valve Kit – Total

| | | | |
|---------|--------------------|-----------|--|
| 7010046 | ARK C/M 400/500 VT | 2½" - 10" | |
|---------|--------------------|-----------|--|

Kit Includes: Complete RV w/36" Hose, RV O-Ring and Lube

Relief Valve Rubber Parts Kit

| | | | |
|---------|--------------------|-----------|--|
| 7010047 | ARK C/M 400/500 RV | 2½" - 10" | |
|---------|--------------------|-----------|--|

Kit Includes: RV Diaphragm, RV Piston, RV E-Clip, RV O-Ring and Lube

Sleeve Kit

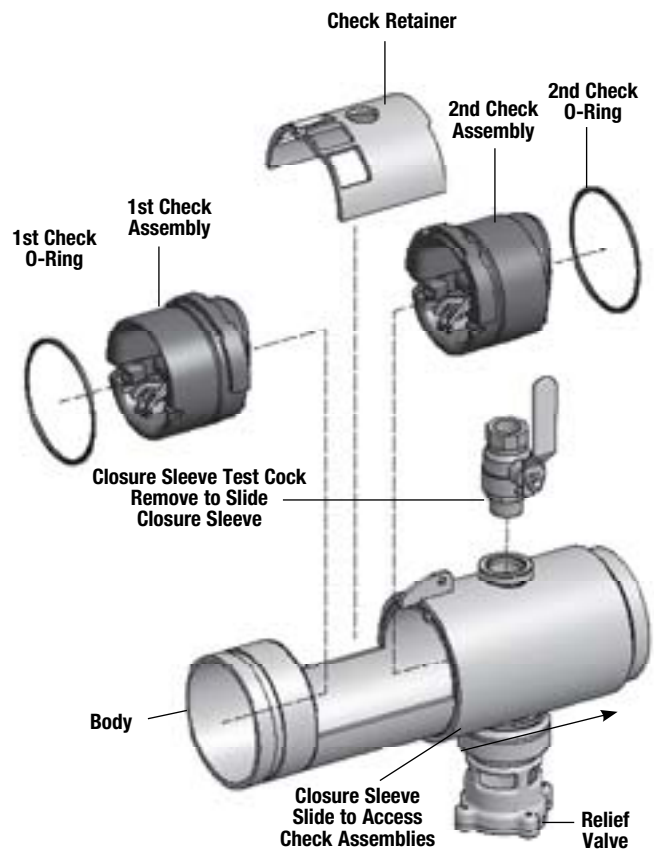
| | | | |
|---------|-----------|----------|--|
| 7010012 | ARK C/M C | 2½" - 4" | |
| 7010013 | ARK C/M C | 6" | |
| 7010014 | ARK C/M C | 8" | |
| 7010015 | ARK C/M C | 10" | |

Kit includes: Closure Sleeve, Sleeve O-Ring (2) and Lube

Test Cock

| | | | |
|---------|-------------|----|------------|
| 7018152 | ARK C/M TC3 | ½" | (2½" - 3") |
| 7018153 | ARK C/M TC3 | ¾" | (4" - 10") |

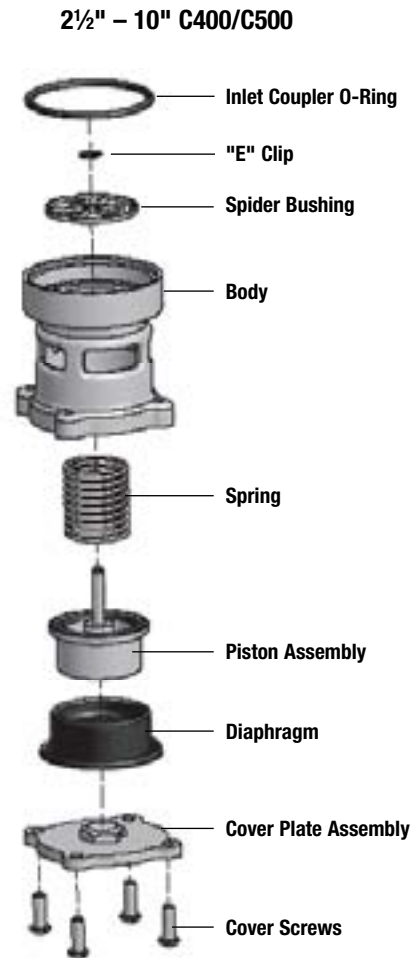
2½" – 10" M400/M500



Series C-400 Reduced Pressure Zone Assembly 2½" – 10" Series C-500 Reduced Pressure Detector Assembly 2½" – 10"

Relief valve kits

| ORDERING NO. | KIT NO. | SIZE |
|--|--------------------|-----------|
| Relief Valve Total Kit | | |
| 7010046 | ARK C/M 400/500 VT | 2½" - 10" |
| Kit Includes: Complete RV w/36" Hose, RV O-Ring and Lube | | |
| Relief Valve Rubber Parts Kit | | |
| 7010047 | ARK C/M 400/500 RV | 2½" - 10" |
| Kit Includes: RV Diaphragm, RV Piston, RV E-Clip, RV O-Ring and Lube | | |



Relief Valve Sensor Lines

Colt

| ITEM | DESCRIPTION | USE FOR | ORDERING CODE |
|------|--------------|--|---------------|
| | Hose ½ x 20" | 2½ – 4 C400, C500 | 7018890 |
| | Hose ½ x 24" | 2½ & 3 C400 N & Z 2½ & 3 C500 N & Z | 7018891 |
| | Hose ½ x 30" | 6 C400, 4 C400N, 2½, 3, 4 C400Z, 6, 8 C500, 4, 6, 8 C500 N & Z, 2½, 3, 4 C500BFG, 2½, 3, 4, 6 C500BFG N & Z | 7018892 |
| | Hose ½ x 36" | 8 & 10 C400, 6, 8, 10 C400 N & Z, 10 C500 N & Z, 6 & 8 C500BFG N & Z | 7018893 |

Maxim

| ITEM | DESCRIPTION | USE FOR | ORDERING CODE |
|------|--------------|--|---------------|
| | Hose ½ x 20" | 2½ & 3 M400, M500 | 7018890 |
| | Hose ½ x 24" | 2½ & 3 M400 N & Z | 7018891 |
| | Hose ½ x 30" | 6 M400, 2.5, 3, 4 M500, 2½, 3, 4 M400 N & Z, 2½, 3, 4 M500 N & Z, 2½ & 3 M500 N & Z BFG | 7018892 |
| | Hose ½ x 36" | 8 & 10 M400, 6, 8, 10 M400 N & Z, 4 & 6 M400BFG N & Z, 6, 8, 10 M500, 6, 8, 10 M500 N & Z 4 & 6 M500BFG N & Z | 7018893 |