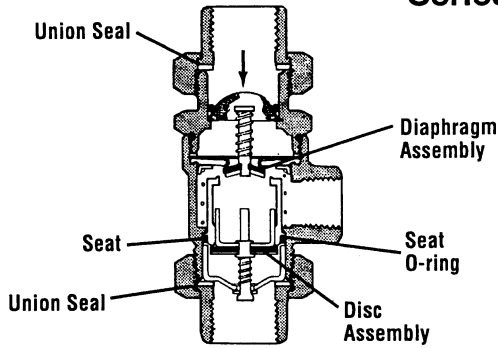


# Repair Kits

When ordering, specify Ordering code Number, Kit Number and Valve Size

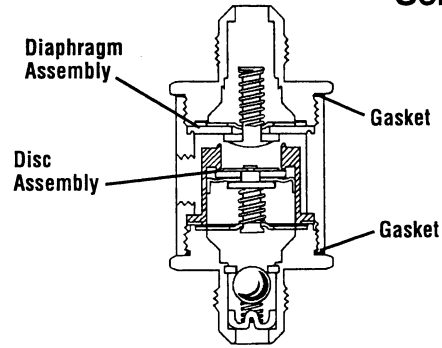
## Series 9D



Kit includes: Diaphragm assembly, Disc assembly, Seat, Seat o-ring and Two union seals

Ordering Code No.	Kit No.	Size (Inches)
886010	RK 9DM2 T	1/2 - 3/4
886011	RK 9DM3 T	1/2

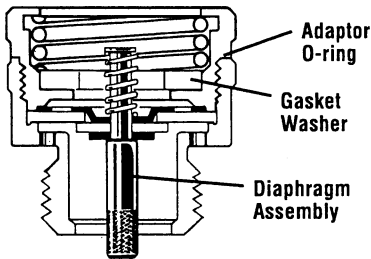
## Series 9BD



Kit includes: Diaphragm assembly, Disc assembly and Two gaskets

Ordering Code No.	Kit No.	Size (Inches)
886012	RK 9BD T	1/4, 3/8

## Series 8A, NF8

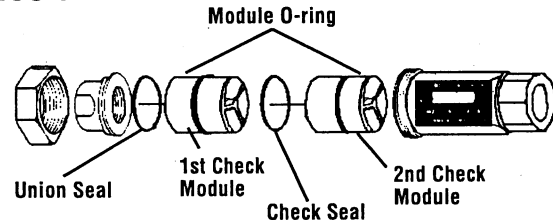


8A Kit includes: Diaphragm assembly, Gasket washer and One o-ring

NF8 Kit includes: Diaphragm assembly, Gasket washer and Three O-rings (Adaptor o-ring and Two sleeve O-rings)

Ordering Code No.	Kit No.	Size (Inches)
886013	RK 8A T	3/4
886014	RK NF8 T	3/4

## Series 7

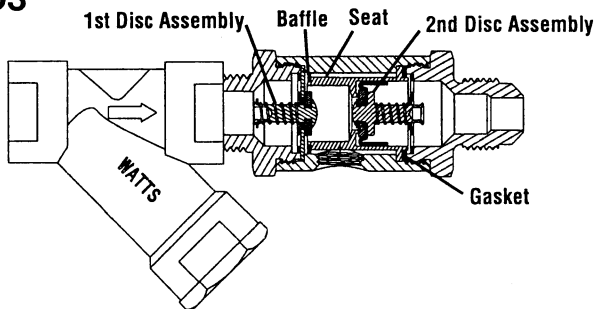


Kit includes: First and second check modules, Two module o-rings, Union seal and Check seal.

Ordering Code No.	Kit No.	Size (Inches)
886015	RK 7/CU7 T	1/2 - 1 1/4
886009	RK 7/7C T	3/8
886016	RK 7B T	3/4
886018	RK A7 T	5/8 - 3/4
886017	RK 07S T	1
*886005	RK L7T	3/4 - 1

\*Kit includes: Two disc assemblies, Two springs, Two cover seal o-rings and Two union o-rings.

## SD3



Kit includes: 1st & 2nd Disc assemblies, Baffle, Seat and Gasket

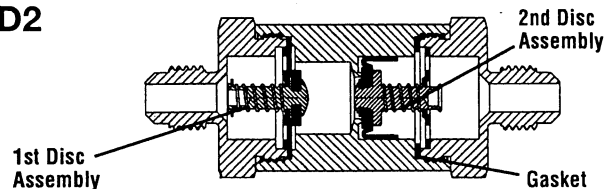
Ordering Code No.	Kit No.	Size (Inches)
888556	RK SD3-T	1/4, 3/8

## Series N9, NLF9, N9-CDT

Kit includes: No. N9, NLF9 consists of: Diaphragm assembly, Disc assembly and Gasket

Ordering Code No.	Kit No.	Size (Inches)
886019	RK N9/NLF9 T	1/4, 3/8
886004	RK N9-CDT	3/4

## SD2



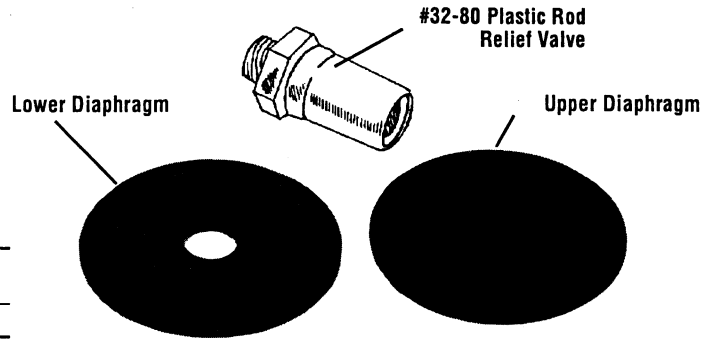
Kit includes: 1st & 2nd Disc assemblies, and Gasket

Ordering Code No.	Kit No.	Size (Inches)
888555	RK SD2-T	1/4, 3/8

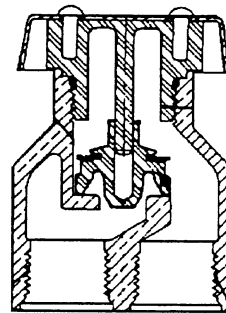
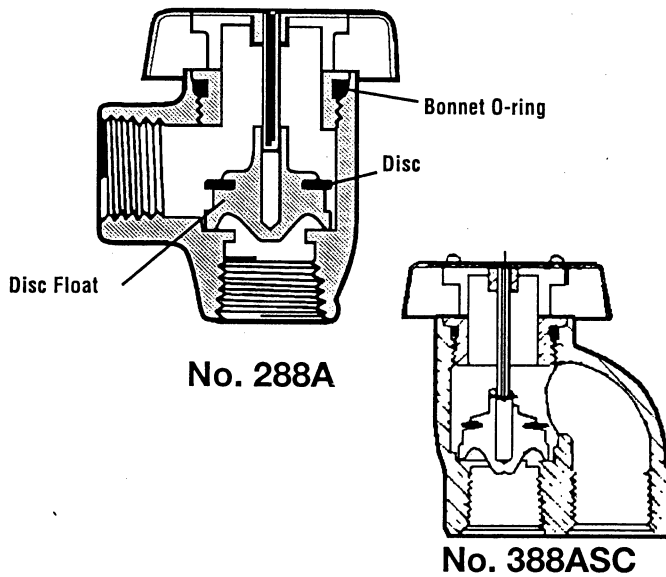
# Governor 80 Ball Cock and Relief Valve Repair Kit

Kit includes: One upper diaphragm, One lower diaphragm and One #32-80 relief valve.

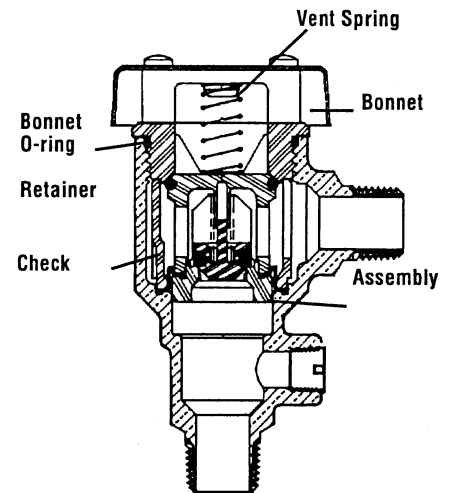
Ordering Code No.	Kit No.	Size
721475	Gov. 80-RK	ALL



## Series 188A, 288A, 289, 388ASC, N388



No. N388



No. 289

Kit includes: Disc assembly (includes Disc and Disc Float) and Bonnet o-ring.

Ordering Code No.	Kit No.	Size (Inches)
887170	RK 188A/288A/388 T	1/4 - 3/8
887171	RK 188A/288A/388 T	1/2
887172	RK 188A/288A/388 T	3/4 - 1
887173	RK 188A/288A/388 T	1 1/4
887174	RK 188A/288A/388 T	1 1/2
887175	RK 188A/288A/388 T	2
887176	RK 188A/288A/388 T	2 1/2 - 3

For 288A's with bell shaped hood

887164	RK 288AZI T	1/4 - 3/8
887165	RK 288AZI T	1/2
887166	RK 288AZI T	3/4

Kit includes: Check assembly, Vent spring, Retainer and Bonnet o-ring.

Ordering Code No.	Kit No.	Size (Inches)
887177	RK 289 T	3/8 - 1/2
887179	RK 289 T	3/4 - 1

Kit includes: Bonnet, Bonnet o-ring and Vent spring.

887178	RK 289 B	3/8 - 1/2
887196	RK 289 B	3/4 - 1