

# MODEL 475V

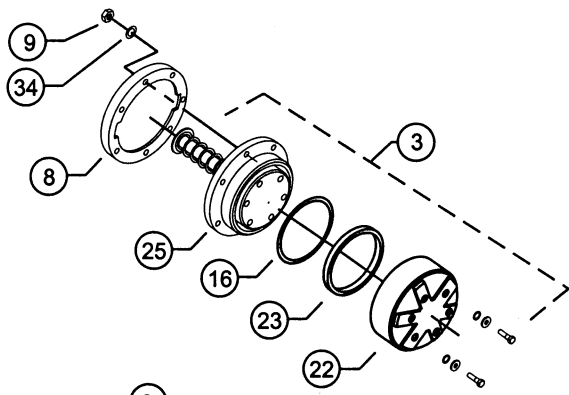
Reduced Pressure Principle  
Backflow Preventers 4" to 10"

**WILKINS**  
A **ZURN**™ Company

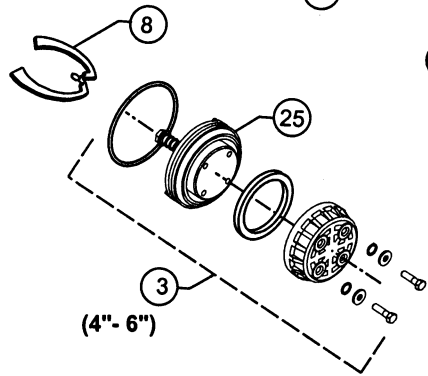
ITEM NO.	DESCRIPTION	4"	6"	8"	10"
1	GATE VALVE, NRS (GXF)	4-48GXF	6-48GXF	8-48GXF	10-48 GXF
	GATE VALVE, OS&Y (GXF)	4-48OSYGXF	6-48OSYGXF	8-48OSYGXF	10-48OSYGXF
	GATE VALVE, OS&Y (GXG)	4-48OSYG	6-48OSYG	8-48OSYG	10-48OSYG
	GATE VALVE, NRS (GXG)	4-48G	6-48G	8-48G	10-48G
2	#1 CHECKASSEMBLY	3709-300	3710-300	3712-300	3712-300
3	#2 CHECKASSEMBLY	3509-300A	3510-300B	3512-300B	3512-300B
4	CU ELBOW	4707-52-010F	4707-52-010F	4711-52-010F	4711-52-010F
5	O-RING, ELBOW	032N	032N	142N	142N
6	GROOVED COUPLING	4-23	6-23	8-23	10-23
7	BOLT	554-11A	554-11A	957-11	957-11
8	SEAT RETAINER ASSEMBLY #2	3509-140	3510-140	3511-14DSS	3511-14DSS
9	SEAT RETAINER #1	3509-14B	3510-14B	3511-9 (NUT)	3511-9 (NUT)
10	COVER	3509-3C	3510-3C	3511-3C	3511-3C
11	COVER RETAINER ASSEMBLY	6-23	8-23	12-23	12-23
12	BULKHEAD FITTING ASSEMBLY	BHF1C-100	BHF2B-100	BHF2B-100	BHF2B-100
13	BALL VALVE	12-850	34-850	34-850	34-850
14	BULKHEAD FITTING ASSEMBLY	BHF1B-100	BHF1B-100	BHF2C-100	BHF2C-100
15	NIPPLE, LONG	12X2-21B	5510-21B	5510-21B	5510-21B
16	O-RING, SEAT ASSEMBLY	353N	364N	273N	273N
17	PLUG/CAP	558-7	34-3B	558-7	558-7
18	BOLT, POPPET RETAINER	558-11E	5510-11A	3511-11	3511-11
19	HANDLE, #1 POPPET ASSEMBLY	3509-6	3510-6	N/A	N/A
20	WASHER	3509-14C	3510-14C	3510-14C	3510-14C
21	O-RING	109N	204N	204N	204N
22	POPPET RETAINER	3509-14	3510-14	3511-14	3511-14
23	SEAL RING	3509-12	3510-12	3511-12	3511-12
24	SEAT ASSEMBLY, #1 POPPET	3709-180	3710-180	3712-180	3712-180
25	SEAT ASSEMBLY, #2 POPPET	3509-180	3510-180	3512-180B	3512-180B
26	CONTROL UNIT ASSEMBLY	3707-CU	3707-CU	3711-CU	3711-CU
27	PITOT TUBE ASSEMBLY	57510-360	57510-360	57510-360	57510-360
28	SENSING TUBE	3710-36	3710-36	4710-36	4710-36
29	ELBOW	3707-38B	3707-38B	3707-38B	3707-38B
30	NIPPLE	14X1.5-21B	14X1.5-21B	14X1.5-21B	14X1.5-21B
31	BULKHEAD FITTING, GASKET	BHF1-13	BHF1-13	BHF1-13	BHF1-13
32	GASKET, COVER RETAINER	6-23-13	8-23-13	12-23-13	12-23-13
33	GASKET, GROOVED COUPLING	4-23-13	6-23-13	8-23-13	10-23-13
34	WASHER	N/A	N/A	3511-14E	3510-14C

## REPAIR KITS

RK4-350 REPAIR KIT Model 475V, 4"			RK6-350 REPAIR KIT Model 475V, 6"			RK8-350 REPAIR KIT Model 475V, 8", 10"		
PART NO.	QTY.	DESCRIPTION	PART NO.	QTY.	DESCRIPTION	PART NO.	QTY.	DESCRIPTION
3509-12	2	SEAL RING	3510-12	2	SEAL RING	3511-12	2	SEAL RING
353N	2	O-RING	364N	2	O-RING	273N	2	O-RING
109N	8	O-RING	204N	8	O-RING	204N	12	O-RING

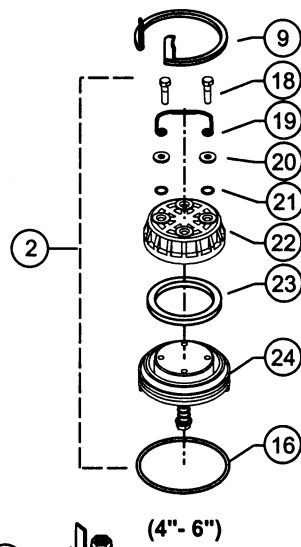


(8" & 10")



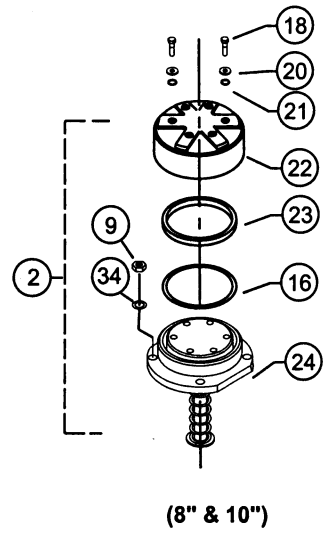
(4" - 6")

#2 CHECK ASSEMBLY

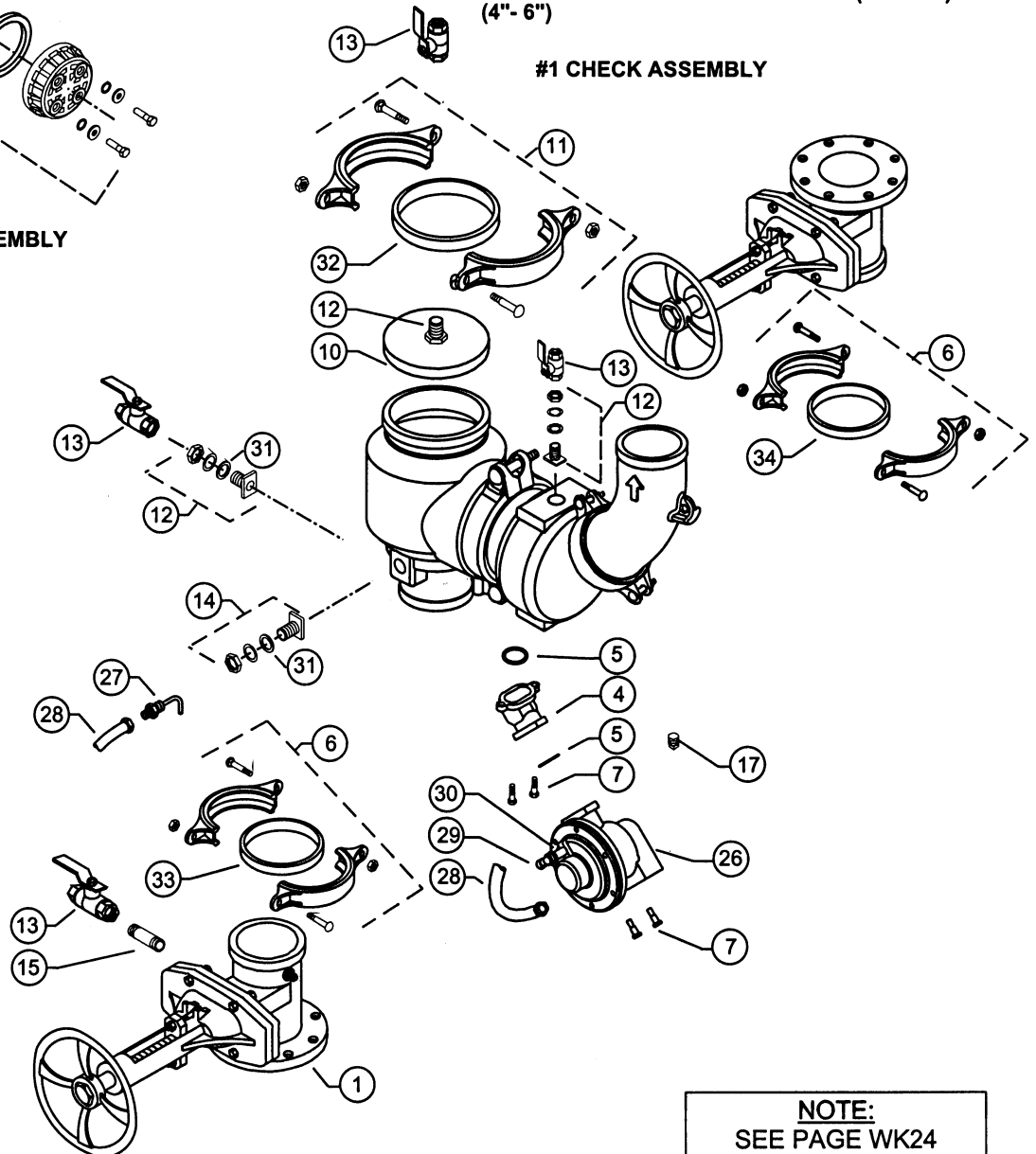


(4" - 6")

#1 CHECK ASSEMBLY



(8" & 10")



**NOTE:**  
SEE PAGE WK24  
FOR RELIEF VALVE  
REPAIR KITS

# WILKINS

A **ZURN**™ Company

## MODEL 375, 475 & 475V Relief Valve 2-1/2" to 10"

RELIEF VALVE COMPLETE			3707-CU	3711-CU
ITEM NO.	DESCRIPTION	QTY.	2-1/2" - 6"	8" & 10"
1	BOLT, COVER	8	554-11A	957-11
2	O-RING	1	222N	227N
3	UPPER PLUNGER	1	3707-34	3711-34
4	DIAPHRAGM	1	3707-43	3711-43
5	LOWER PLUNGER	1	3707-34A	3711-34A
6	SEAL RING	1	3707-12	3711-12
7	SEAL RETAINER	1	3707-14	3711-14
8	SCREW	1	558-11E	558-11E
9	CU SPRING	1	3707-33A	3711A-33
10	CU SEAT	1	3707-18	3711-18
11	O-RING	1	032N	142N
12	WASHER	1	N/A	3707-14
13	STEM ASSY.	1	3707-50	3711-50

### REPAIR KITS

REPAIR KITS, RUBBER			RK212-375R 2-1/2" - 6"	RK8-375R 8" & 10"
ITEM NO.	DESCRIPTION	QTY.	PART NO.	PART NO.
6	SEAL RING	1	3707-12	3711-12
4	DIAPHRAGM	1	3707-43	3711-43
2	O-RING	1	222N	227N
11	O-RING	2	032N	146N

REPAIR KITS, COMPLETE			RK212-375 2-1/2" - 6"	RK8-375 8" & 10"
ITEM NO.	DESCRIPTION	QTY.	PART NO.	PART NO.
N/A	REPAIR KIT, RUBBER	1	RK212-375R	RK8-375R
9	SPRING	1	3707-33A	3711A-33

