

MODEL 350

Double Check

Backflow Preventers 3/4" & 1"

WILKINS

A **ZURN** Company

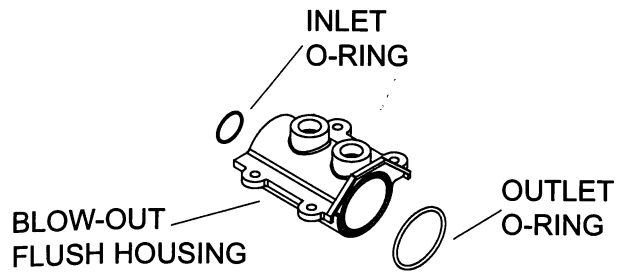
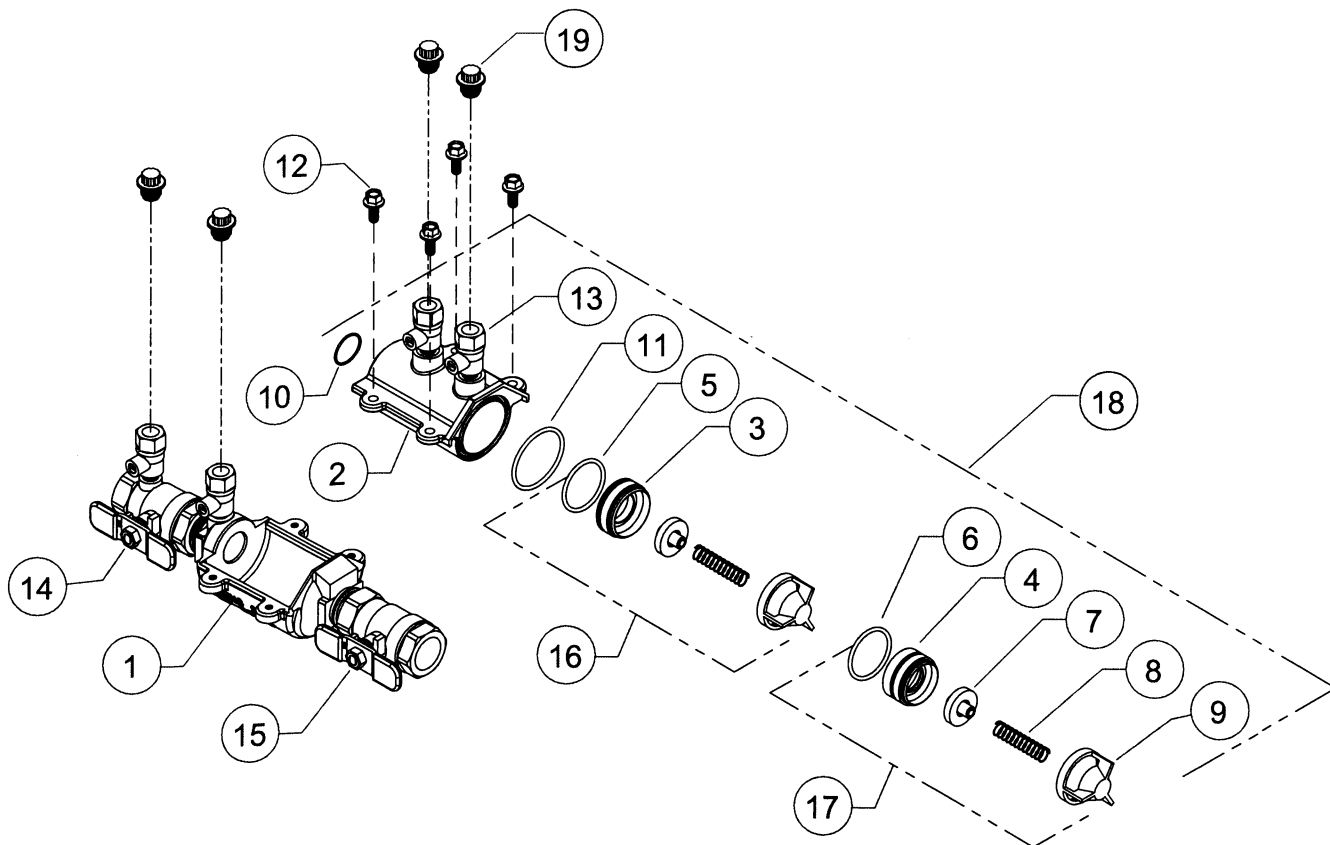
ITEM NO.	DESCRIPTION	3/4"	1"
1	BODY	352-1-010F	353-1-010F
2	HOUSING	352-1A	353-1A
3	#1 SEAT	352-18A	353-18A
4	#2 SEAT	352-18B	353-18B
5	O-RING #1	125N	131N
6	O-RING #2	126N	132N
7	POPPET	352-30	353-30
8	SPRING	352-33	353-33
9	SLEEVE	352-2	353-2
10	O-RING, HOUSING INLET	214N	220N-80
11	O-RING, HOUSING OUTLET	223N	226N-80
12	SCREWS	352-11	352-11
13	TEST COCKS	18-860	18-860
14	BALL VALVE, INLET	34-850T	1-850T
15	BALL VALVE, OUTLET	34-850	1-850
16	CHECK ASSEMBLY #1	352-300A	353-300A
17	CHECK ASSEMBLY #2	352-300B	353-300B
18	HOUSING ASSEMBLY	RK34-350V	RK1-350V
19	TEST COCK CAP PLUG	2-7P	2-7P

REPAIR KITS

RK34-350R RUBBER REPAIR KIT MODEL 350 3/4"			RK1-350R RUBBER REPAIR KIT MODEL 350 1"		
PART NO.	QTY.	DESCRIPTION	PART NO.	QTY.	DESCRIPTION
125N	1	O-RING #1 CHECK ASSY	131N	1	O-RING #1 CHECK ASSY
126N	1	O-RING #2 CHECK ASSY	132N	1	O-RING #2 CHECK ASSY
214N	1	O-RING, HOUSING INLET	220N-80	1	O-RING, HOUSING INLET
223N	1	O-RING, HOUSING OUTLET	226N-80	1	O-RING, HOUSING OUTLET
352-30	2	POPPET	353-30	2	POPPET

RK34-350 COMPLETE REPAIR KIT MODEL 350, 3/4"			RK1-350 COMPLETE REPAIR KIT MODEL 350, 1"		
PART NO.	QTY.	DESCRIPTION	PART NO.	QTY.	DESCRIPTION
352-300A	1	#1 CHECK ASSEMBLY	353-300A	1	#1 CHECK ASSEMBLY
352-300B	1	#2 CHECK ASSEMBLY	353-300B	1	#2 CHECK ASSEMBLY
214N	1	O-RING, HOUSING INLET	220N-80	1	O-RING, HOUSING INLET
223N	1	O-RING, HOUSING OUTLET	226N-80	1	O-RING, HOUSING OUTLET

RK34-350V VESSEL REPAIR KIT MODEL 350, 3/4"			RK1-350V VESSEL REPAIR KIT MODEL 350, 1"		
PART NO.	QTY.	DESCRIPTION	PART NO.	QTY.	DESCRIPTION
ITEM 18	1	HOUSING ASSEMBLY	ITEM 18	1	HOUSING ASSEMBLY



RK34-350BOF
 RK1-350BOF