

MODEL 350 & 450

Double Check Backflow Preventers 2-1/2" to 3"

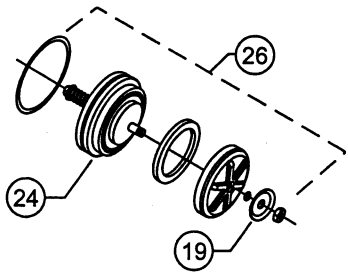
WILKINS

A **ZURN**™ Company

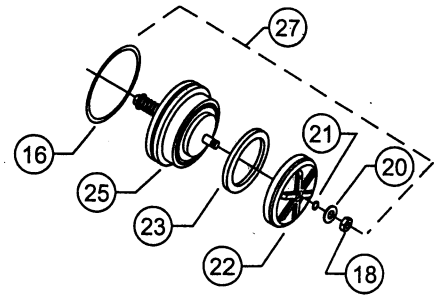
ITEM NO.	DESCRIPTION	(350 & 450) 2-1/2"	(350 & 450) 3"
1	GATE VALVE, NRS	212-48	3-48
	GATE VALVE, OS&Y	212-48OSY	3-48OSY
	GATE VALVE, OS&Y (FXG)	212-48OSYGXF	3-48OSYGXF
2	BOLT, FLANGE	558-11D	558-11D
3	NUT, FLANGE	558-9	558-9
4	GASKET, FLANGE	557-13	558-13
5	O-RING, COVER PLATE	031N	031N
6	COVER PLATE	558-3A-020F	558-3A-020F
7	BOLT, COVER PLATE	554-11A	554-11A
8	SEAT RETAINER #2	3507-14F	3507-14F
9	SEAT RETAINER #1	3507-14F	3507-14F
10	COVER	3507-3C	3507-3C
11	COVER RETAINER ASSY	5-23	5-23
12	BULKHEAD FITTING ASSY	BHF1C-100	BHF1C-100
13	BALL VALVE	12-850	12-850
14	COUPLING	12-51	12-51
15	NIPPLE, LONG	558-21B	558-21B
16	O-RING	245N	245N
17	PLUG	558-7	558-7
18	NUT, BOLT, POPPET RETAINER	3507-9	3507-9
19	HANDLE, #1 POPPET ASSY	3507-14E	3507-14E
20	WASHER	3507-14D	3507-14D
21	O-RING	111N	111N
22	POPPET RETAINER	3507-14	3507-14
23	SEAL RING	3507-12	3507-12
24	SEAT ASSEMBLY, #1 POPPET	3507-180	3507-180
25	SEAT ASSEMBLY, #2 POPPET	3507-180A	3507-180A
26	#1 CHECK ASSEMBLY	3507-300	3507-300
27	#2 CHECK ASSEMBLY	3507-300A	3507-300A
28	BULKHEAD FITTING ASSY	BHF1B-100	BHF1B-100
29	PLUG	558-7	558-7
30	BALL VALVE	12-850M	12-850M
31	GASKET, COVER RETAINER	5-23-13	5-23-13
32	BULKHEAD FITTING GASKET	BHF1-13	BHF1-13

REPAIR KITS

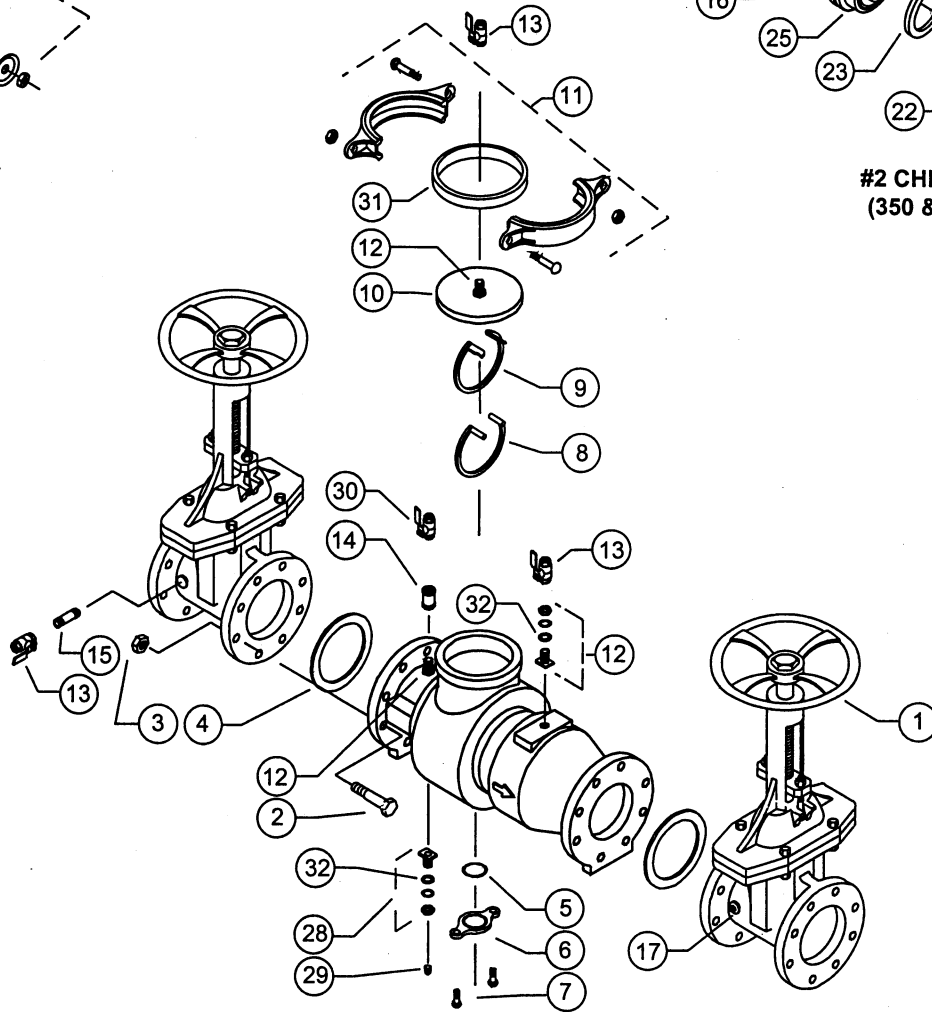
RK212-350 REPAIR KIT Model 350 & 450, 2-1/2", 3"		
PART NO.	QTY.	DESCRIPTION
3507-12	2	SEAL RING
245N	2	O-RING
111N	2	O-RING



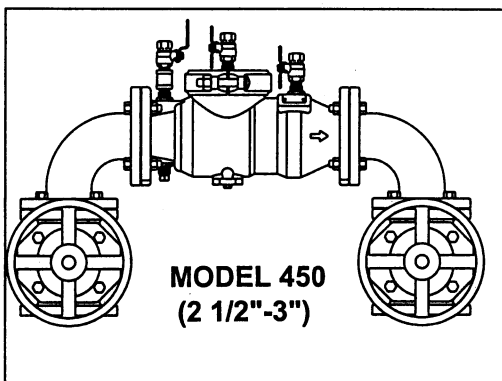
#1 CHECK ASSEMBLY
(350 & 450 2 1/2" & 3")



#2 CHECK ASSEMBLY
(350 & 450 2 1/2" & 3")



MODEL 350
(2 1/2"-3")



MODEL 450
(2 1/2"-3")