

# MODEL 575

Reduced Pressure Principle  
Backflow Preventers 2 1/2" to 6"

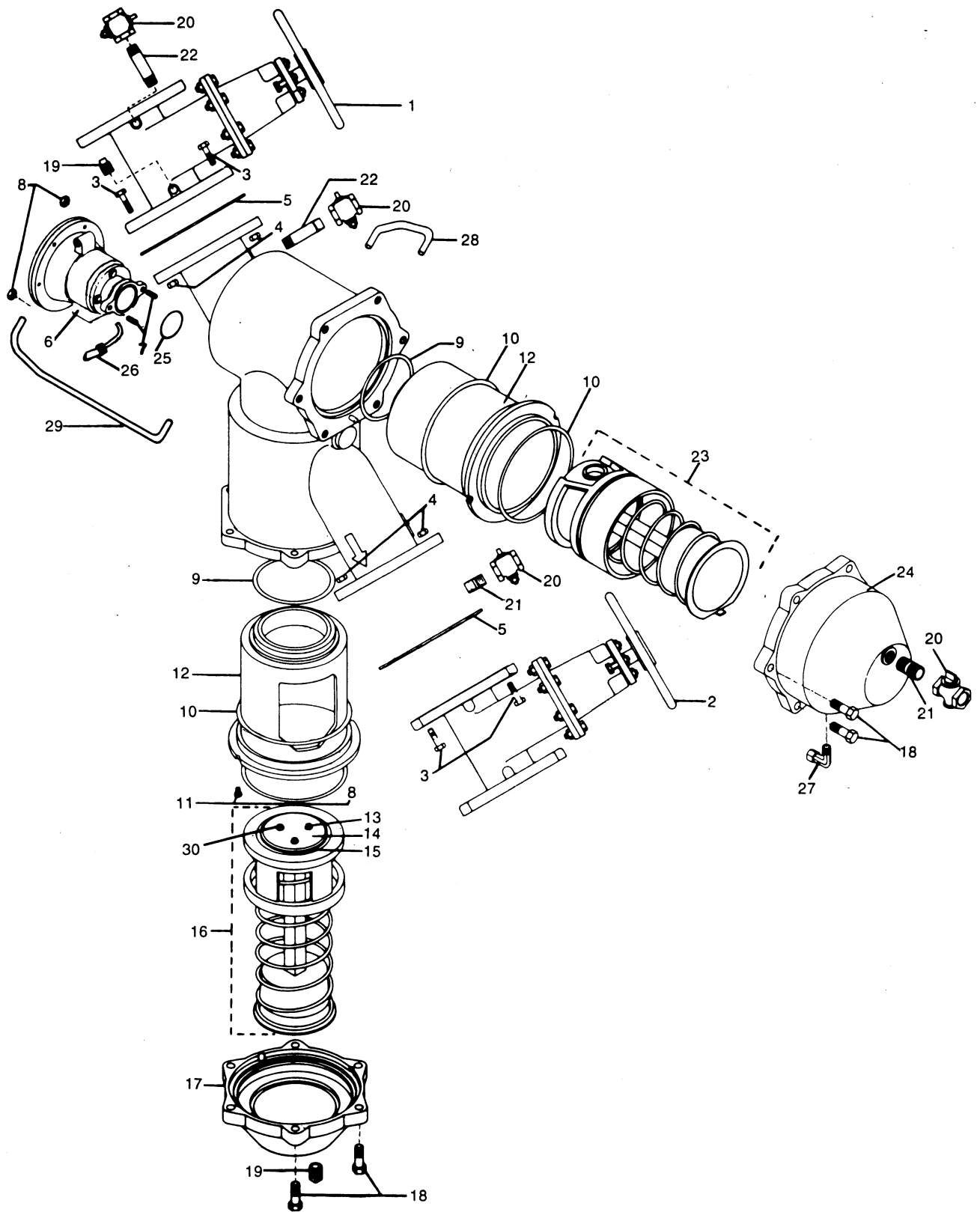
# WILKINS

| ITEM NO. | DESCRIPTION                            | QTY. | 2 1/2"    | QTY. | 3"        | QTY. | 4"        | QTY. | 6"        |
|----------|--|------|-----------|------|-----------|------|-----------|------|-----------|
| 1        | GATE VALVE, TAPPED RESILIENT SEAT      | 1    | 212-48    | 1    | 3-48      | 1    | 4-48      | 1    | 6-48      |
|          | GATE VALVE OS&Y, TAPPED RESILIENT SEAT | 1    | 212-48OSY | 1    | 3-48OSY   | 1    | 4-48OSY   | 1    | 6-48OSY   |
| 2        | GATE VALVE RESILIENT SEAT              | 1    | 212-48    | 1    | 3-48      | 1    | 4-48      | 1    | 6-48      |
|          | GATE VALVE, OS&Y RESILIENT SEAT        | 1    | 212-48OSY | 1    | 3-48OSY   | 1    | 4-48OSY   | 1    | 6-48OSY   |
| 3        | BOLT                                   | 8    | 558-11D   | 8    | 558-11D   | 16   | 559-11    | 16   | 5510-11   |
| 4        | NUT                                    | 8    | 558-9     | 8    | 558-9     | 16   | 558-9     | 16   | 5510-9    |
| 5        | GASKET                                 | 2    | 557-13    | 2    | 558-13    | 2    | 559-13    | 2    | 5510-13   |
| 6        | RELIEF VALVE                           | 1    | 5758-CU   | 1    | 5758-CU   | 1    | 5758-CU   | 1    | 5758-CU   |
| 7        | STUD                                   | 2    | 558-11B   | 2    | 558-11B   | 2    | 558-11B   | 2    | 558-11B   |
| 8        | NUT                                    | 2    | 5758-9    | 2    | 5758-9    | 2    | 5758-9    | 2    | 5758-9    |
| 9        | O-RING, SMALL                          | 2    | 341N      | 2    | 341N      | 2    | 426N      | 2    | 439N      |
| 10       | O-RING, LARGE                          | 4    | 353N      | 4    | 353N      | 4    | 439N      | 4    | 448N      |
| 11       | SCREW                                  | 2    | 558-11A   | 2    | 558-11A   | 2    | 558-11A   | 2    | 724-11A   |
| 12       | SLEEVE                                 | 2    | 558-2     | 2    | 558-2     | 2    | 559-2     | 2    | 5510-2    |
| 13       | SCREW (POPPET)                         | 2    | 558-11    | 2    | 558-11    | 6    | 559-11B   | 6    | 552-11B   |
| 14       | RETAINING PLATE                        | 2    | 558-14    | 2    | 558-14    | 2    | 559-14    | 2    | 5510-14   |
| 15       | SEAL RING                              | 2    | 558-12    | 2    | 558-12    | 2    | 559-12    | 2    | 5510-12   |
| 16       | #2 POPPET ASSY.                        | 1    | Note      | 1    | Note      | 1    | 559-300   | 1    | 5510-300  |
| 17       | #2 COVER                               | 1    | 558-3     | 1    | 558-3     | 1    | 559-3     | 2    | 5510-3A   |
| 18       | BOLT, COVER                            | 8    | 559-11C   | 8    | 559-11C   | 12   | 559-11A   | 16   | 5510-11A  |
| 19       | PIPE PLUG                              | 2    | 558-7     | 2    | 558-7     | 2    | 558-7     | 2    | 5510-7    |
| 20       | TEST COCK                              | 4    | 12-850    | 4    | 12-850    | 4    | 12-850    | 4    | 34-850    |
| 21       | NIPPLE, SHORT                          | 2    | 101-21B   | 2    | 101-21B   | 2    | 101-21B   | 2    | 102-21B   |
| 22       | NIPPLE, LONG                           | 2    | 558-21B   | 2    | 558-21B   | 2    | 558-21B   | 2    | 5510-21B  |
| 23       | #1 POPPET ASSY.                        | 1    | 5758-300  | 1    | 5758-300  | 1    | 5759-300  | 1    | 57510-300 |
| 24       | #1 COVER                               | 1    | 5758-3    | 1    | 5758-3    | 1    | 5759-3    | 1    | 57510-3   |
| 25       | O-RING                                 | 1    | 031N      | 1    | 031N      | 1    | 031N      | 1    | 031N      |
| 26       | PITOT TUBE ASSY.                       | 1    | 5758-360  | 1    | 5758-360  | 1    | 5759-360  | 1    | 57510-360 |
| 27       | FITTING                                | 1    | 5758A-38A | 1    | 5758A-38A | 1    | 5758A-38A | 1    | 5758A-38A |
| 28       | TUBE 1                                 | 1    | 5758-36A  | 1    | 5758-36A  | 1    | 5759-36A  | 1    | 57510-36A |
| 29       | TUBE 2                                 | 1    | 5758-36B  | 1    | 5758-36B  | 1    | 5759-36B  | 1    | 57510-36B |
| 30       | WASHER                                 | 2    | 604C-12   | 2    | 604C-12   | 6    | 72C-12    | 6    | 604C-12   |

Note: SPRING #558-33, POPPET #558-300

## CHECK VALVE RUBBER REPAIR KITS

| NO. RK 212-550R REPAIR KIT<br>Model 550 & 575 2 1/2" & 3" |      |               | NO. RK-4-550R REPAIR KIT<br>Model 550 & 575 4" |      |               | NO. RK-6-550R REPAIR KIT<br>Model 550 & 575 6" |      |               |
|---|------|---------------|--|------|---------------|--|------|---------------|
| PART NO.  | QTY. | DESCRIPTION   | PART NO.                                       | QTY. | DESCRIPTION   | PART NO.                                       | QTY. | DESCRIPTION   |
| 558-12  | 2    | SEAL RING     | 559-12   | 2    | SEAL RING     | 5510-12  | 2    | SEAL RING     |
| 341N  | 2    | O-RING, SMALL | 426N   | 2    | O-RING, SMALL | 439N   | 2    | O-RING, SMALL |
| 353N  | 4    | O-RING, LARGE | 439N   | 4    | O-RING, LARGE | 448N   | 4    | O-RING, LARGE |
| 604C-12   | 2    | WASHER        | 72C-12   | 6    | WASHER        | 604C-12  | 6    | WASHER        |



# WILKINS

## MODEL 575 Relief Valve 2 1/2" to 6"

### RELIEF VALVE COMPLETE

5758-CU

| ITEM NO. | DESCRIPTION     | QTY. | 2 1/2" - 6" |
|----------|-----------------|------|-------------|
| 1        | FITTING         | 1    | 5758A-38A   |
| 2        | SCREW           | 9    | 5752-11     |
| 3        | BLEED SCREW     | 2    | 552-11A     |
| 4        | COVER           | 1    | 5758-3A     |
| 5        | HEX NUT         | 1    | 5758-9      |
| 6        | WASHER          | 1    | 5758-14     |
| 7        | LARGE DIAPHRAGM | 1    | 5758-43     |
| 8        | SPRING RETAINER | 1    | 5758A-80A   |
| 9        | SPRING          | 1    | 5758A-33    |
| 10       | PAN HEAD SCREW  | 6    | 5758-11     |
| 11       | GUIDE           | 1    | 5758-31A    |
| 12       | LARGE O-RING    | 1    | 048N        |
| 13       | RETAINER        | 1    | 5758-80     |
| 14       | SMALL DIAPHRAGM | 1    | 5758-43A    |
| 15       | BODY            | 1    | 5758-1A     |
| 16       | SMALL O-RING    | 1    | 011N        |
| 17       | PISTON          | 1    | 5758-35     |
| 18       | SEAL RING       | 1    | 5758-12     |
| 19       | SEAT GUIDE      | 1    | 5758-31     |
| 20       | HEX HEAD SCREW  | 1    | 5754-11     |
| 21       | SEAT FLANGE     | 1    | 5758-18     |
| 22       | FITTING         | 1    | 5758A-36    |
| 23       | O-RING          | 1    | 031N        |

### RUBBER REPAIR KIT

NO. RK 212-575R

RELIEF VALVE REPAIR KIT  
Model 575 Relief Valve 2 1/2" to 6"

| PART NO. | QTY. | DESCRIPTION     |
|----------|------|-----------------|
| 5758-43  | 1    | LARGE DIAPHRAGM |
| 048N     | 1    | LARGE O-RING    |
| 5758-43A | 1    | SMALL DIAPHRAGM |
| 011N     | 1    | SMALL O-RING    |
| 5758-12  | 1    | SEAL RING       |
| 031N     | 1    | FLANGE O-RING   |

