

MODEL 450

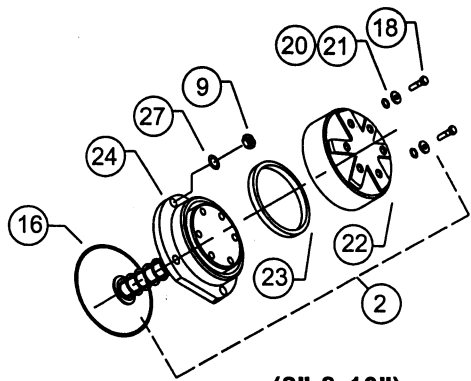
Double Check
Backflow Preventers 4" to 10"

WILKINS
A **ZURN**™ Company

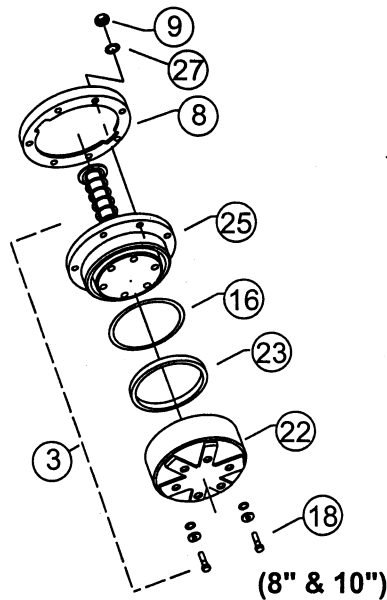
| ITEM NO. | DESCRIPTION | 4" | 6" | 8" | 10" |
|----------|----------------------------|--------------|--------------|--------------|--------------|
| 1 | GATE VALVE, NRS (GXF) | 4-48GXF | 6-48GXF | 8-48GXF | 10-48OSY |
| | GATE VALVE, OS&Y (GXF) | 4-48OSYGXF | 6-48OSYGXF | 8-48OSYGXF | 10-48OSYGXF |
| | GATE VALVE, OS&Y (GXG) | 4-48OSYG | 6-48OSYG | 8-48OSYG | 10-48OSYG |
| | GATE VALVE, NRS (GXG) | 4-48G | 6-48G | 8-48G | 10-48G |
| 2 | #1 CHECKASSEMBLY | 3509-300A | 3510-300A | 3512-300A | 3512-300A |
| 3 | #2 CHECKASSEMBLY | 3509-300A | 3510-300B | 3512-300B | 3512-300B |
| 4 | COVER PLATE | 4507-3A-010F | 4507-3A-010F | 511-3A-010F | 511-3A-010F |
| 5 | O-RING, COVER PLATE | 032N | 032N | 142N | 142N |
| 6 | GROOVED COUPLING | 4-23 | 6-23 | 8-23 | 10-23 |
| 7 | BOLT, COVER PLATE | 554-11A | 554-11A | 957-11 | 957-11 |
| 8 | SEAT RETAINER ASSEMBLY #2 | 3509-140 | 3510-140 | 3511-14DSS | 3511-14DSS |
| 9 | SEAT RETAINER #1 | 3509-14B | 3510-14B | 3511-9 (NUT) | 3511-9 (NUT) |
| 10 | COVER | 3509-3C | 3510-3C | 3511-3C | 3511-3C |
| 11 | COVER RETAINER ASSEMBLY | 6-23 | 8-23 | 12-23 | 12-23 |
| 12 | BULKHEAD FITTING ASSEMBLY | BHF1C-100 | BHF2B-100 | BHF2B-100 | BHF2B-100 |
| 13 | BALL VALVE | 12-850 | 34-850 | 34-850 | 34-850 |
| 14 | BULKHEAD FITTING ASSEMBLY | BHF1B-100 | BHF1B-100 | BHF2C-100 | BHF2C-100 |
| 15 | NIPPLE, LONG | 12X2-21B | 5510-21B | 5510-21B | 5510-21B |
| 16 | O-RING | 353N | 364N | 273N | 273N |
| 17 | PLUG | 558-7 | 558-7 | 558-7 | 558-7 |
| 18 | BOLT, POPPET RETAINER | 558-11E | 5510-11A | 3511-11 | 3511-11 |
| 19 | HANDLE, #1 POPPET ASSEMBLY | 3509-6 | 3510-6 | N/A | N/A |
| 20 | WASHER | 3509-14C | 3510-14C | 3510-14C | 3510-14C |
| 21 | O-RING | 109N | 204N | 204N | 204N |
| 22 | POPPET RETAINER | 3509-14 | 3510-14 | 3511-14 | 3511-14 |
| 23 | SEAL RING | 3509-12 | 3510-12 | 3511-12 | 3511-12 |
| 24 | SEAT ASSEMBLY, #1 POPPET | 3509-180 | 3510-180 | 3512-180A | 3512-180A |
| 25 | SEAT ASSEMBLY, #2 POPPET | 3509-180 | 3510-180 | 3512-180B | 3512-180B |
| 26 | PLUG/CAP | 558-7 | 34-3B | 558-7 | 558-7 |
| 27 | WASHER | N/A | N/A | 3511-14E | 3510-14C |
| 28 | GASKET | BHF1-13 | BHF1-13 | BHF1-13 | BHF1-13 |
| 29 | GASKET, COVER RETAINER | 6-23-13 | 8-23-13 | 12-23-13 | 12-23-13 |
| 30 | GASKET, GROOVED COUPLING | 4-23-13 | 6-23-13 | 8-23-13 | 10-23-13 |

REPAIR KITS

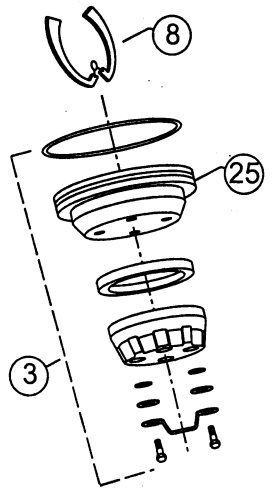
| RK4-350 REPAIR KIT Model 450, 4" | | | RK6-350 REPAIR KIT Model 450, 6" | | | RK8-350 REPAIR KIT Model 450, 8", 10" | | |
|-------------------------------------|------|-------------|-------------------------------------|------|-------------|--|------|-------------|
| PART NO. | QTY. | DESCRIPTION | PART NO. | QTY. | DESCRIPTION | PART NO. | QTY. | DESCRIPTION |
| 3509-12 | 2 | SEAL RING | 3510-12 | 2 | SEAL RING | 3511-12 | 2 | SEAL RING |
| 353N | 2 | O-RING | 364N | 2 | O-RING | 273N | 2 | O-RING |
| 109N | 8 | O-RING | 204N | 8 | O-RING | 204N | 12 | O-RING |



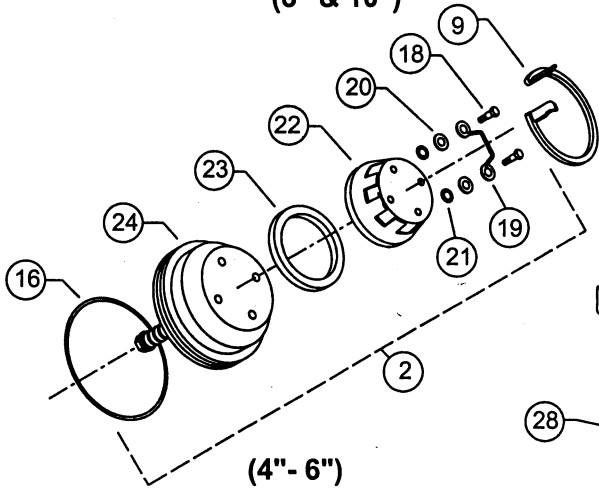
(8" & 10")



(8" & 10")



(4"-6")



(4"-6")

#2 CHECK ASSEMBLY

#1 CHECK ASSEMBLY

