

WILKINS

A ZURN™ Company

MODEL 420

Pressure Vacuum Breakers

1/2" & 3/4"

ITEM NO.	DESCRIPTION	1/2"	3/4"
1	CANOPY SCREW	30-11	30-11
2	CANOPY	421-3	421-3
3	BONNET	421-20	421-20
4	O-RING	034N	034N
5	RELIEF VALVE ASSY	-	-
6	AIR INLET DISC	421A-34	421A-34
7	FLOAT	-	-
8	SPRING RETAINER	421A-80	421A-80
9	CHECK SPRING	421-33	421-33
10	POPPET	421-30	421-30
11	SEAL RING	421-12	421-12
12	SEAT	421-18	421-18
13	O-RING	126N	126N
14	SHUT-OFF VALVE	12-850T	34-850T
15	TEST COCK	18-860	18-860
16	FLOAT ASSEMBLY	421-340	421-340
17	SEAT ASSEMBLY	421-180	421-180

REPAIR KITS

NO. RK12-420

FULL REPAIR KIT

QTY.	PART NO.	DESCRIPTION
1	421-180	SEAT ASSEMBLY
1	421-340	FLOAT ASSEMBLY
1	421-20	BONNET
1	034N	O-RING

NO. RK12-420R

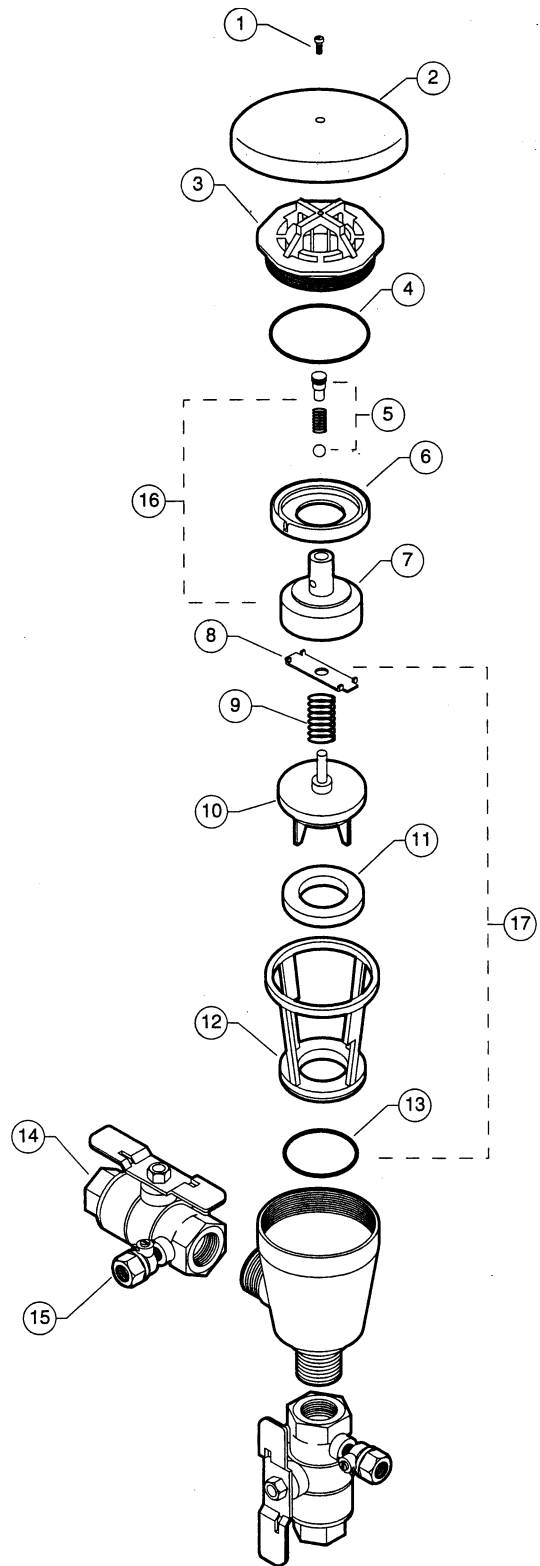
RUBBER REPAIR KIT

QTY.	PART NO.	DESCRIPTION
1	421-12	SEAT RING
1	421A-34	AIR INLET DISC
1	126N	O-RING
1	034N	O-RING

NO. RK12-420FK

FREEZE REPAIR KIT

QTY.	PART NO.	DESCRIPTION
1	421-20	BONNET
1	421-30	POPPET
1	421-340	FLOAT ASSEMBLY



MODEL 420

Pressure Vacuum Breaker

1"

ITEM NO.	DESCRIPTION	1"
1	CANOPY SCREW	7000-11B
2	CANOPY	423-3
3	BONNET	423-20
4	O-RING	039N
5	RELIEF VALVE ASSY	-
6	AIR INLET DISC	423A-34
7	FLOAT	-
8	SPRING RETAINER	423A-80
9	CHECK SPRING	423-33
10	POPPET	423-30
11	SEAL RING	423-12
12	SEAT	423-18
13	O-RING	133N
14	SHUT-OFF VALVE	1-850T
15	TEST COCK	18-860
16	FLOAT ASSEMBLY	423-340
17	SEAT ASSEMBLY	423-180

REPAIR KITS

NO. RK1-420 FULL REPAIR KIT

QTY.	PART NO.	DESCRIPTION
1	423-180	SEAT ASSEMBLY
1	423-340	FLOAT ASSEMBLY
1	423-20	BONNET
1	039N	O-RING

NO. RK1-420R RUBBER REPAIR KIT

QTY.	PART NO.	DESCRIPTION
1	423-12	SEAT RING
1	423A-34	AIR INLET DISC
1	133N	O-RING
1	039N	O-RING

NO. RK1-420FK FREEZE REPAIR KIT

QTY.	PART NO.	DESCRIPTION
1	423-20	BONNET
1	423-30	POPPET

