

MODEL 35

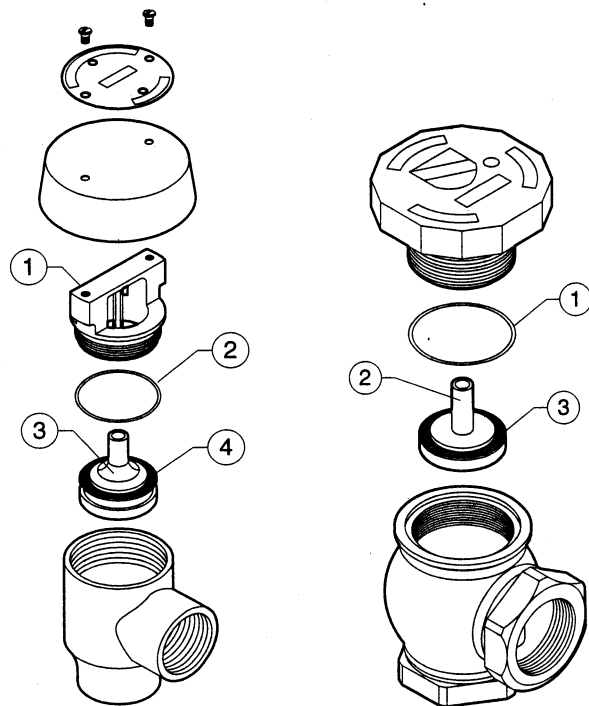
Atmospheric Vacuum Breaker

1/4", 3/8", 1/2", 3/4", 1", 1-1/4", 1-1/2" & 2"

WILKINS

A ZURN™ Company

ITEM NO.	PART NO.	QTY.	DESCRIPTION
RK14-35 1/4" and 3/8" Model 35			
1	35-18A	1	SEAT
2	018N	1	O-RING
3	35-34A	1	FLOAT
4	35-12A	1	SEAL RING
RK12-35 1/2" Model 35			
1	35-18B	1	SEAT
2	022N	1	O-RING
3	35-34B	1	FLOAT
4	35-12B	1	SEAL RING
RK34-35 3/4" Model 35			
1	35-13C	1	GASKET
2	35-34C	1	FLOAT
3	35-12C	1	SEAL RING
RK1-35 1" Model 35			
1	35-13D	1	GASKET
2	35-34D	1	FLOAT
3	35-12D	1	SEAL RING
RK114-35 1-1/4" Model 35			
1	35-13E	1	GASKET
2	35-34E	1	FLOAT
3	35-12E	1	SEAL RING
RK112-35 1-1/2" Model 35			
1	35-13F	1	GASKET
2	35-34F	1	FLOAT
3	35-12F	1	SEAL RING
RK2-35 2" Model 35			
1	35-13G	1	GASKET
2	35-34G	1	FLOAT
3	35-12G	1	SEAL RING

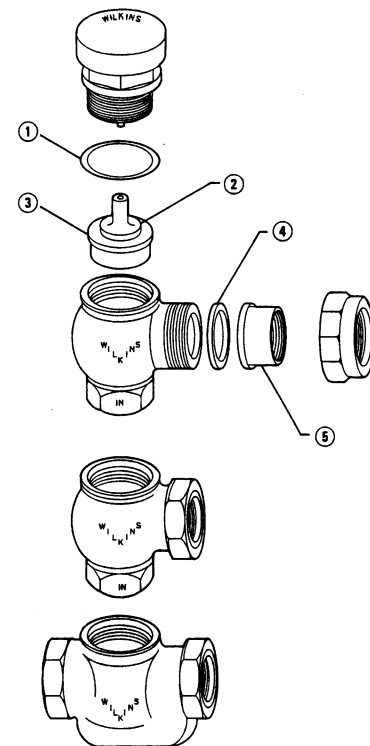


MODEL 30

Atmospheric Vacuum Breaker

1/2", 3/4", 1", 1-1/4", 1-1/2" & 2"

ITEM NO.	PART NO.	QTY.	DESCRIPTION
RK12-30 1/2" Model 30			
1	022N	1	O-RING
2	31-34	1	FLOAT
3	31-12	1	SEAL RING
RK34-30 3/4" Model 30			
1	025N	1	O-RING
2	32-34	1	FLOAT
3	32-12	1	SEAL RING
RK1-315 1" Model 30, 315 & 320			
1	203A-12	1	GASKET
2	303-34	1	FLOAT
3	303-12	1	SEAL RING
RK114-315 1-1/4" Model 30, 315 & 320			
1	204A-12	1	GASKET
2	304-34	1	FLOAT
3	304-12	1	SEAL RING
RK112-315 1-1/2" Model 30, 315 & 320			
1	205A-12	1	GASKET
2	305-34	1	FLOAT
3	305-12	1	SEAL RING
RK2-315 2" Model 30, 315 & 320			
1	206A-12	1	GASKET
2	306-34	1	FLOAT
3	306-12	1	SEAL RING



ATMOSPHERIC VACUUM BREAKERS

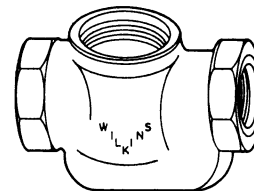
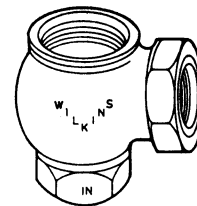
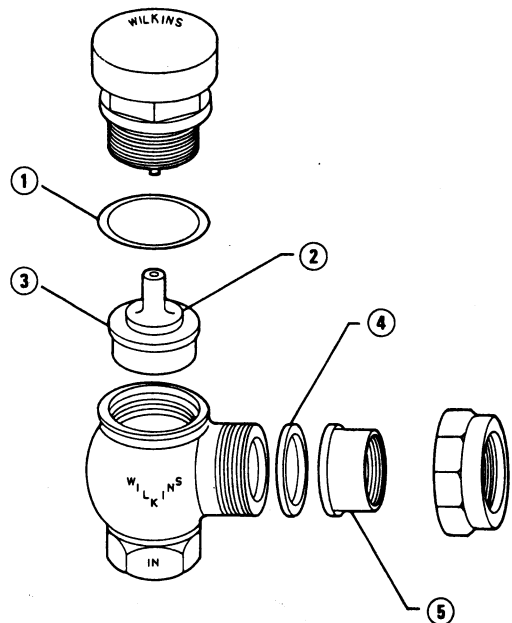
WILKINS

MODEL 30 Size 1/2" to 2" Angle Body
MODEL 315 Size 1/2" to 2" In-Line Body
MODEL 320 Size 1" to 2" Angle Body with Union End

ITEM NO.	DESCRIPTION	1/2"	3/4"	1"	1 1/4"	1 1/2"	2"
1	CAP GASKET/O-RING	022N	025N	203A-12	204A-12	205A-12	206A-12
2	FLOAT	31-34	32-34	303-34	304-34	305-34	306-34
3	SEAT WASHER	31-12	32-12	303-12	304-12	305-12	306-12A
4	UNION GASKET (Model 320 Only)	N/A	N/A	63-13	604-13	605-13	606-13
5	TAILPIECE (Model 320 Only)	N/A	N/A	63-19	604-19	605-19	606-19

REPAIR KITS

PART NO.	QTY.	DESCRIPTION
RK12-30 Model 30 & 315 Size 1/2" Only		
022N	1	O-RING
31-34	1	FLOAT
31-12	1	SEAT WASHER
RK34-30 Model 30 & 315 Size 3/4" Only		
025N	1	O-RING
32-34	1	FLOAT
32-12	1	SEAT WASHER
RK1-315 Model 30, 315 & 320 Size 1" Only		
203A-12	1	CAP GASKET
303-34	1	FLOAT
303-12	1	SEAT WASHER
RK114-315 Model 30, 315 & 320 Size 1 1/4" Only		
204A-12	1	CAP GASKET
304-34	1	FLOAT
304-12	1	SEAT WASHER
RK112-315 Model 30, 315 & 320 Size 1 1/2" Only		
205A-12	1	CAP GASKET
305-34	1	FLOAT
305-12	1	SEAT WASHER
RK2-315 Model 30, 315 & 320 Size 2" Only		
206A-12	1	CAP GASKET
306-34	1	FLOAT
306-12A	1	SEAT WASHER



MODEL 700

WILKINS

A ZURN™ Company

Dual Check Backflow Preventer

1/4", 3/8", 1/2", 3/4" & 1"

ITEM NO.	DESCRIPTION	1/4" - 1/2"	3/4" - 1"
1	POPPET ASSEMBLY	751A-300	702-300
2	O-RING	022N	217N
3	WASHER/O-RING	751-13	217N
4	TAILPIECE, 1/4" FNPT	700A-19	—
	TAILPIECE, 3/8" FNPT	700-19	—
	TAILPIECE, 1/2" FNPT	751-19	—
	TAILPIECE, 3/4" FNPT	—	702-19
	TAILPIECE, 3/4" COPPER	—	702C-19
	TAILPIECE, 3/4" FMTC	—	702-19FM
	TAILPIECE, 1" FNPT	—	63-19
	TAILPIECE, 1" COPPER	—	63C-19
	TAILPIECE, 1" FMTC	—	703-19FM

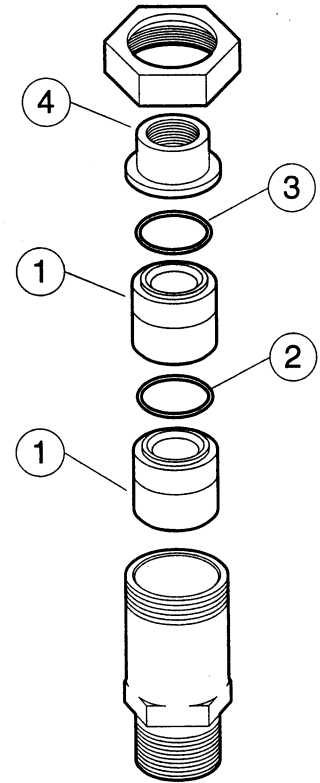
REPAIR KITS

RK14-700 REPAIR KIT (Model 700 1/4", 3/8", 1/2")

QTY.	DESCRIPTION	PART NO.
2	POPPET ASSEMBLY	751A-300
1	O-RING	022N
1	WASHER	751-13

RK34-700 REPAIR KIT (Model 700 3/4" & 1")

QTY.	DESCRIPTION	PART NO.
2	POPPET ASSEMBLY	702-300
2	O-RING	217N



MODEL 705

Dual Check Backflow Preventer

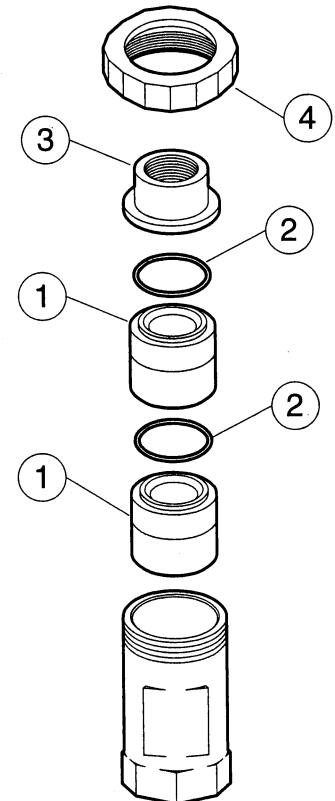
3/4" & 1"

ITEM NO.	DESCRIPTION	3/4" - 1"
1	POPPET ASSEMBLY	702-300
2	O-RING	217N
3	TAILPIECE, 3/4" FNPT	702-19
	TAILPIECE, 1" FNPT	63-19
4	UNION NUT	705-9

REPAIR KITS

RK34-700 REPAIR KIT (Model 705, 3/4" - 1")

QTY.	DESCRIPTION	PART NO.
2	POPPET ASSEMBLY	702-300
2	O-RING	217N



MODEL 750



Dual Check Backflow Preventer with Atmospheric Vent 1/2" & 3/4"

ITEM NO.	DESCRIPTION	PART NO.
1	TAILPIECE, 1/2" FNPT	751-19
	TAILPIECE, 1/2" COPPER	751C-19
	TAILPIECE, 3/4" FNPT	602-19
	TAILPIECE, 3/4" COPPER	602C-19
2	SCREEN, 1/2"	751-41
	SCREEN, 3/4"	34-SCR
3	NO. 1 CHECK ASSEMBLY	751-300
4	SPRING, ZONE	751-33B
5	O-RING	022N
6	NO. 2 CHECK ASSEMBLY	751A-300
7	GASKET	751-13A

REPAIR KIT

RK-750 REPAIR KIT
Model 750 1/2" & 3/4"

QTY.	DESCRIPTION	PART NO.
1	SCREEN	34-SCR
1	NO. 1 CHECK ASSEMBLY	751-300
1	SPRING, ZONE	751-33B
1	O-RING	022N
1	NO. 2 CHECK ASSEMBLY	751A-300
1	GASKET	751-13A

