

# MODEL 375 & 475(V)

Reduced Pressure Principle  
Backflow Preventers 2-1/2" to 3"

# WILKINS

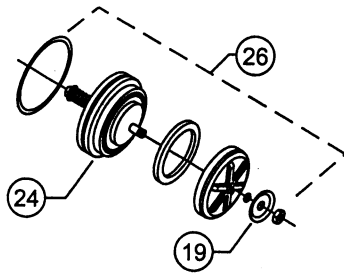
A ZURN™ Company

ITEM NO.	DESCRIPTION	(375 & 475(V)) 2-1/2"	(375 & 475(V)) 3"
1	GATE VALVE, NRS	212-48	3-48
	GATE VALVE, OS&Y	212-48OSY	3-48OSY
	GATE VALVE, OS&Y (FXG)	212-48OSYGXF	3-48OSYGXF
2	BOLT, FLANGE	558-11D	558-11D
3	NUT, FLANGE	558-9	558-9
4	GASKET, FLANGE	557-13	558-13
5	O-RING, CONTROL UNIT	032N	032N
6	CONTROL UNIT	3707-CU	3707-CU
7	BOLT, CONTROL UNIT	554-11A	554-11A
8	SEAT RETAINER #2	3507-14F	3507-14F
9	SEAT RETAINER #1	3507-14F	3507-14F
10	COVER	3507-3C	3507-3C
11	COVER RETAINER ASSY	5-23	5-23
12	BULKHEAD FITTING ASSY	BHF1C-100	BHF1C-100
13	BALL VALVE	12-850	12-850
14	COUPLING	12-51	12-51
15	NIPPLE, LONG	558-21B	558-21B
16	PLUG	558-7	558-7
17	O-RING	245N	245N
18	NUT, BOLT, POPPET RETAINER	3507-9	3507-9
19	HANDLE, #1 POPPET ASSY	3507-14E	3507-14E
20	WASHER	3507-14D	3507-14D
21	O-RING	111N	111N
22	POPPET RETAINER	3507-14	3507-14
23	SEAL RING	3507-12	3507-12
24	SEAT ASSEMBLY, #1 POPPET	3707-180	3707-180
25	SEAT ASSEMBLY, #2 POPPET	3507-180A	3507-180A
26	#1 CHECK ASSEMBLY	3707-300	3707-300
27	#2 CHECK ASSEMBLY	3507-300A	3507-300A
28	BULKHEAD FITTING ASSY	BHF1B-100	BHF1B-100
29	SENSING TUBE FITTING	5758A-36	5758A-36
30	PITOT TUBE ASSY (4", 6" & 8")	3709-29	3709-29
31	SENSING TUBE	3707-36	3707-36
32	BALL VALVE	12-850M	12-850M
33	BULKHEAD FITTING, GASKET	BHF1-13	BHF1-13
34	GASKET, COVER RETAINER	5-23-13	5-23-13

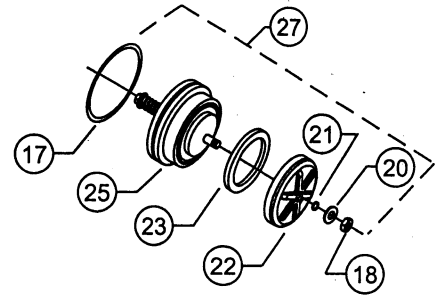
## REPAIR KITS

RK212-350 REPAIR KIT Model 375 & 475(V), 2-1/2", 3"		
PART NO.	QTY.	DESCRIPTION
3507-12	2	SEAL RING
245N	2	O-RING
111N	2	O-RING

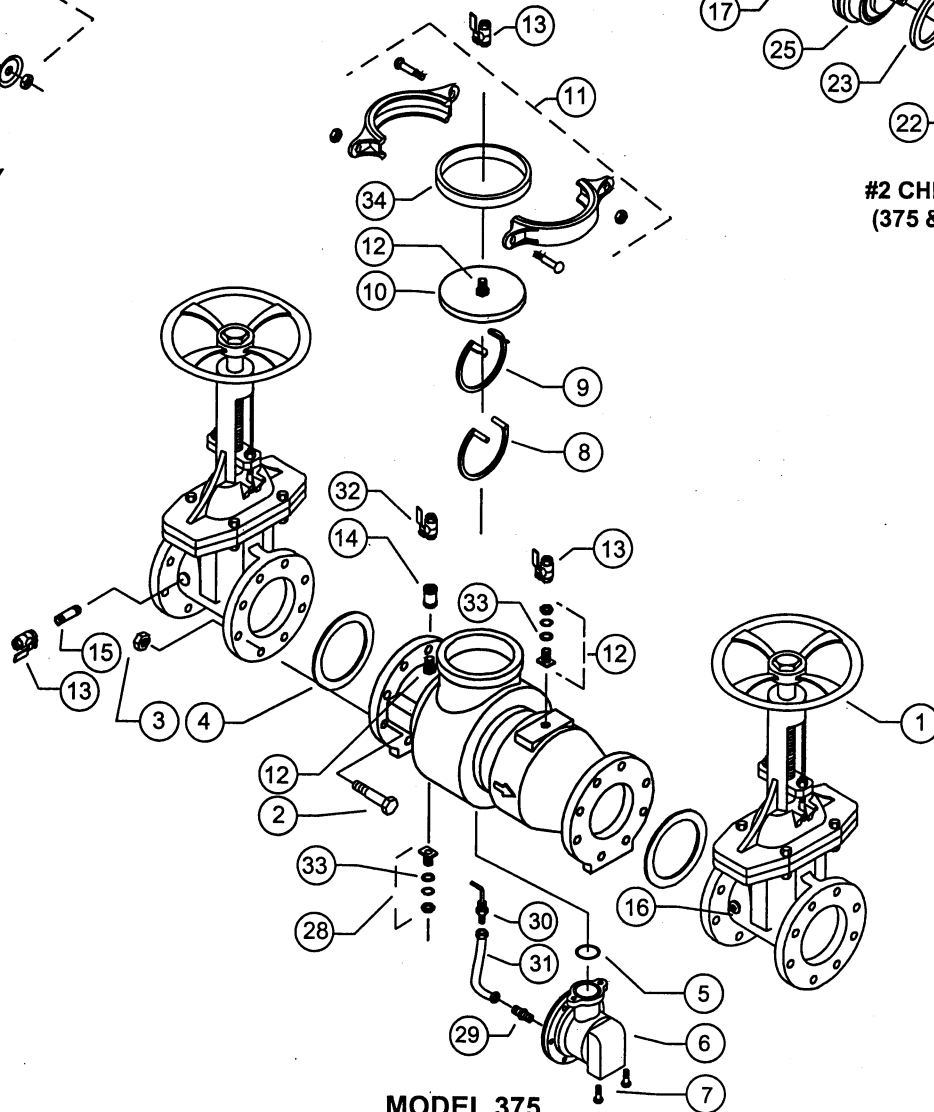
**NOTE:**  
SEE PAGE WK24  
FOR RELIEF VALVE  
REPAIR KITS



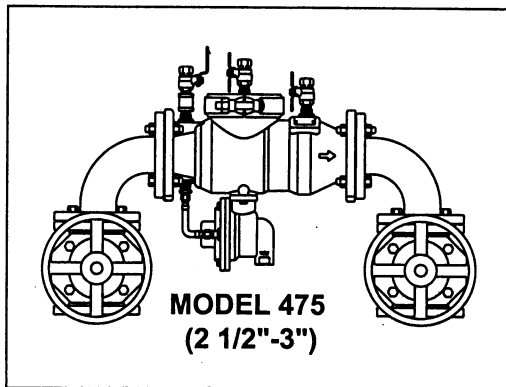
**#1 CHECK ASSEMBLY  
(375 & 475 2 1/2" & 3")**



**#2 CHECK ASSEMBLY  
(375 & 475 2 1/2" & 3")**



**MODEL 375  
(2 1/2"-3")**



**MODEL 475  
(2 1/2"-3")**

# WILKINS

A ZURN™ Company

## MODEL 375, 475 & 475V Relief Valve 2-1/2" to 10"

RELIEF VALVE COMPLETE			3707-CU	3711-CU
ITEM NO.	DESCRIPTION	QTY.	2-1/2" - 6"	8" & 10"
1	BOLT, COVER	8	554-11A	957-11
2	O-RING	1	222N	227N
3	UPPER PLUNGER	1	3707-34	3711-34
4	DIAPHRAGM	1	3707-43	3711-43
5	LOWER PLUNGER	1	3707-34A	3711-34A
6	SEAL RING	1	3707-12	3711-12
7	SEAL RETAINER	1	3707-14	3711-14
8	SCREW	1	558-11E	558-11E
9	CU SPRING	1	3707-33A	3711A-33
10	CU SEAT	1	3707-18	3711-18
11	O-RING	1	032N	142N
12	WASHER	1	N/A	3707-14
13	STEM ASSY.	1	3707-50	3711-50

### REPAIR KITS

REPAIR KITS, RUBBER			RK212-375R 2-1/2" - 6"	RK8-375R 8" & 10"
ITEM NO.	DESCRIPTION	QTY.	PART NO.	PART NO.
6	SEAL RING	1	3707-12	3711-12
4	DIAPHRAGM	1	3707-43	3711-43
2	O-RING	1	222N	227N
11	O-RING	2	032N	146N

REPAIR KITS, COMPLETE			RK212-375 2-1/2" - 6"	RK8-375 8" & 10"
ITEM NO.	DESCRIPTION	QTY.	PART NO.	PART NO.
N/A	REPAIR KIT, RUBBER	1	RK212-375R	RK8-375R
9	SPRING	1	3707-33A	3711A-33

