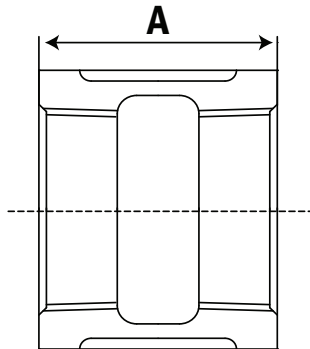


SUBMITTAL DATA SHEET

125Lb. Threaded Fitting Bronze Coupling - 2210

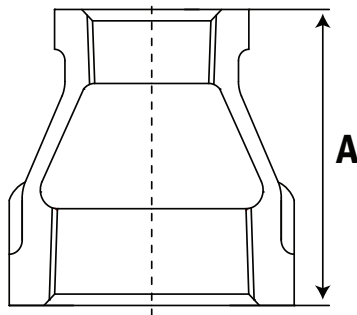


A.Y. McDonald Mfg. Co. Threaded Pipe Fittings are constructed from heavy duty bronze and are rated for commercial, industrial and residential applications up to 125 WOG.



Bronze Coupling - 2210

Model Number	Size	Dimensions A	Carton Qty	Weight Per Pcs.
2210	1/4	0.98	5	0.11
2210	3/8	1.06	5	0.14
2210	1/2	1.30	5	0.19
2210	3/4	1.42	5	0.25
2210	1	1.69	5	0.43
2210	1 1/4	1.85	5	0.60
2210	1 1/2	1.93	5	0.71
2210	2	2.20	5	1.42



Bronze Reducing Coupling - 2210

Model Number	Size	Dimensions A	Carton Qty	Weight Per Pcs.
2210	3/4 x 1/2	1.38	5	0.24
2210	1 x 1/2	1.50	5	0.30
2210	1 x 3/4	1.57	5	0.39
2210	1 1/4 x 3/4	1.65	5	0.52
2210	1 1/4 x 1	1.77	5	0.55
2210	1 1/2 x 3/4	1.77	5	0.60
2210	1 1/2 x 1	1.77	5	0.68
2210	1 1/2 x 1 1/4	1.89	5	0.74
2210	2 x 1	2.05	5	1.00
2210	2 x 1 1/4	2.05	5	1.05
2210	2 x 1 1/2	2.05	5	1.20

SUBMITTAL INFORMATION

- **Standards**

ASTM B584 UNS Alloy C83600 (Casting)
ASME B16.15 (Dimensions)
ANSI/ASME B1.20.1 (Threads)

- **Markings**

Manufacturer's logo, Size, Country of Origin



Non-Potable
Use Only



A.Y. McDonald Mfg. Co.
P.O. Box 508
Dubuque, IA 52004-0508

Toll Free: 1-800-292-2737
Fax: 1-800-832-9296
Hours: 7:00 a.m. - 5:00 p.m., CST

sales@aymcdonald.com
www.aymcdonald.com

A.Y. McDonald considers the information on this assembly drawing correct when published. Item and option availability, including specifications, are subject to change without notice.

Submitted by: