

Series 009, LF009

Reduced Pressure Zone Assemblies

Sizes 1 1/4" – 2"

Repair Kits

When ordering specify Ordering Code, Kit No., and Valve Size.

ORDERING CODE	KIT NO.	SIZE	LIST PRICE
---------------	---------	------	------------

Total Repair Kits

LEAD FREE	0887794	RK 009M2-T	1 1/4"– 1 1/2"	\$314.00
	0887284	RK 009-T	1 1/4"– 2"	401.00
	0887269	RK 009M1-T	1 1/4"– 2"	389.00
LEAD FREE	0887795	RK 009M2-T	2"	381.50

Kit consists of: relief valve repair kit, first check repair kit, second check repair kit, retainer (if plastic)

Relief Valve Kits

Relief Valve Total Kits

LEAD FREE	0887307	RK 009M2 VT	1 1/4"– 1 1/2"	\$ 206.50
	0887277	RK 009M1 VT	1 1/4"– 2"	292.50
	0887016	RK 009 VT	1 1/4"– 2"	304.50
LEAD FREE	0887545	RK 009M2 VT	2"	287.00

Kit consists of: RV assembly, seat, seat O-ring, cover O-ring, sensing passage O-ring and upper stem O-ring and RV spring.

Relief Valve Rubber Parts Kits

LEAD FREE	0887306	RK 009M2 RV	1 1/4"– 1 1/2"	50.25
	0887276	RK 009M1 RV	1 1/4"– 2"	52.50
	0887184	RK 009 RV	1 1/4"– 2"	56.75
LEAD FREE	0887544	RK 009M2 RV	2"	51.50

Kit consists of: diaphragm, seat O-ring, cover O-ring and sensing passage O-ring.

Complete Rubber Parts Kits

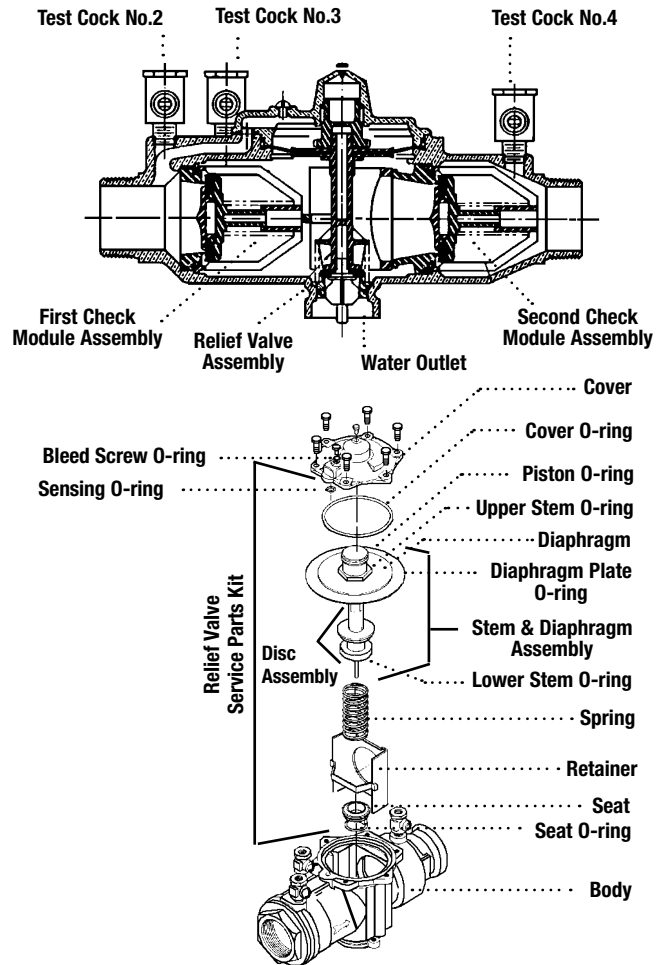
LEAD FREE	0887309	RK 009M2 RT	1 1/4"– 1 1/2"	99.25
	0887185	RK 009 RT	1 1/4"– 2"	139.50
	0887280	RK 009M1 RT	1 1/4"– 2"	107.50
LEAD FREE	0887547	RK 009M2 RT	2"	100.50

Kit consists of: two check assembly O-rings, two disc assemblies, one cover O-ring, one RV diaphragm, one RV seat O-ring, one sensing passage O-ring, one diaphragm plate O-ring, one RV lower stem O-ring, one RV upper stem O-ring, one RV disc assembly and one bleed screw O-ring.

Cover Kits

LEAD FREE	0794047	LFRK 009M2 C	1 1/4"– 1 1/2"	128.00
	0794048	LFRK 009M2 C	2" 009M2,	144.50
			1 1/4"– 2"	
		009/009M1		

Kit consists of: cover, cover O-ring sensing passage O-ring, bleed screw O-ring, vent hood and bleed screw.



2

Reduced Pressure Zone Assemblies

*The wetted surface of this product contacted by consumable water contains less than 0.25% of lead by weight.

Series 009, LF009

Reduced Pressure Zone Assemblies

Sizes 1/4" – 2"

Check valve kits

When ordering specify Ordering Code, Kit No., and Valve Size.

1/4" – 1"

ORDERING CODE	KIT NO.	SIZE	LIST PRICE
---------------	---------	------	------------

First Check Kits

0887291	RK 009 CK1	1/4" – 1/2"	\$38.00
0887505	RK SS009 CK1	1/2" – 3/4"	39.00
0887000	RK 009M2 CK1	3/4"	31.75
0887515	RK SS009M3 CK1	1/4" – 3/4"	32.25
0888520	RK 009M3 CK1	3/4"	31.75
0887005	RK 009 CK1	3/4" – 1"	60.00
0887009	RK 009 CK1SS	3/4" – 1"	222.00
0887525	RK SS009 CK1	1"	58.75
0887789	RK 009 M2 CK1	1"	57.75

Kit consists of: check assembly and cover O-ring.

Second Check Kits

0887292	RK 009 CK2	1/4" – 1/2"	37.00
0887506	RK SS009 CK2	1/2" – 3/4"	37.75
0887001	RK 009M2 CK2	3/4"	26.00
0887516	RK SS009M3 CK2	1/4" – 3/4"	26.50
0888521	RK 009M3 CK2	3/4"	26.00
0887007	RK 009 CK2	3/4" – 1"	54.50
0887011	RK 009 CK2SS	3/4" – 1"	191.00
0887526	RK SS009 CK2	1"	53.50
0887790	RK 009M2 CK2	1"	52.50

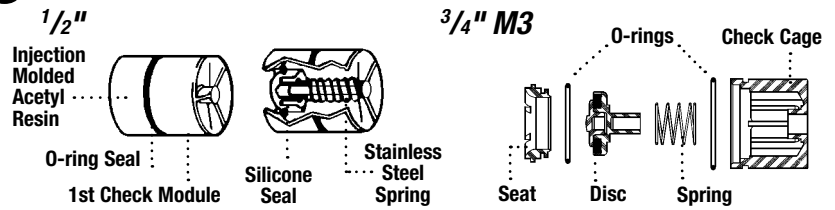
Kit consists of: check assembly and cover O-ring.

Check Rubber Parts

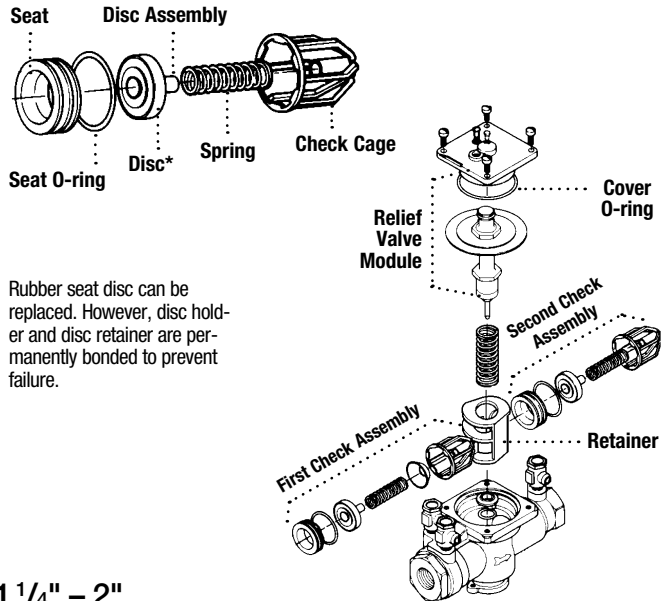
0887293	RK 009 RC3	1/4" – 1/2"	22.50
0887507	RK SS009 RC1	1/2" – 3/4"	23.00
0887508	RK SS009 RC2	1/2" – 3/4"	23.00
0887003	RK 009M2 RC3	3/4"	21.50
0888595	RK SS009M3 RC1	1/4" – 3/4"	23.00
0888596	RK SS009M3 RC2	1/4" – 3/4"	23.00
0888522	RK 009M3 RC3	3/4"	21.50
0887017	RK 009 RC1	3/4" – 1"	11.25
0887180	RK 009 RC2	3/4" – 1"	11.25
0887527	RK SS009 RC1	1"	11.50
0887528	RK SS009 RC2	1"	11.50
0887791	RK 009M2 RC1	1"	11.00
0887792	RK 009M2 RC2	1"	11.00

Kit consists of: disc, cover O-ring and seat O-ring.

CHECK ASSEMBLIES



1" – 2"



Rubber seat disc can be replaced. However, disc holder and disc retainer are permanently bonded to prevent failure.

1 1/4" – 2"

ORDERING CODE	KIT NO.	SIZE	LIST PRICE
---------------	---------	------	------------

First Check Kits

0887300	RK 009M2 CK1	1 1/4" – 1 1/2"	\$110.00
0887270	RK 009M1 CK1	1 1/4" – 2"	120.00
0887006	RK 009 CK1	1 1/4" – 2"	122.00
0887010	RK 009 CK1SS	1 1/4" – 2"	317.00
0887272	RK 009M1 CK1SS	1 1/4" – 2"	304.50
0887540	RK 009M2 CK1	2"	117.50

Kit consists of: first check assembly, cover O-ring and sensing passage O-ring.

Second Check Kits

0887301	RK 009M2 CK2	1 1/4" – 1 1/2"	102.50
0887271	RK 009M1 CK2	1 1/4" – 2"	106.50
0887008	RK 009 CK2	1 1/4" – 2"	108.50
0887012	RK 009 CK2SS	1 1/4" – 2"	273.50
0887273	RK 009M1 CK2SS	1 1/4" – 2"	263.00
0887541	RK 009M2 CK2	2"	104.50

Kit consists of: second check assembly, cover O-ring and sensing passage O-ring.

First Check Rubber Parts Kits

0887304	RK 009M2 RC1	1 1/4" – 1 1/2"	23.25
0887274	RK 009M1 RC1	1 1/4" – 2"	27.75
0887018	RK 009 RC1	1 1/4" – 2"	41.00
0887542	RK 009M2 RC1	2"	24.50

Kit consists of: first check assembly O-ring, disc holder assembly, cover O-ring and sensing passage O-ring.

Second Check Rubber Parts Kits

0887305	RK 009M2 RC2	1 1/4" – 1 1/2"	23.25
0887275	RK 009M1 RC2	1 1/4" – 2"	27.75
0887183	RK 009 RC2	1 1/4" – 2"	41.25
0887543	RK 009M2 RC2	2"	24.50

Kit consists of: second check assembly O-ring, disc holder assembly, cover O-ring and sensing passage O-ring.

*The wetted surface of this product contacted by consumable water contains less than 0.25% of lead by weight.

2

Reduced Pressure Zone Assemblies