

Series 009, LF009

Reduced Pressure Zone Assemblies

Sizes 1/4" - 1"

Repair Kits

When ordering specify Ordering Code, Kit No., and Valve Size.

| ORDERING CODE | KIT NO. | SIZE | LIST PRICE |
|---------------|---------|------|------------|
|---------------|---------|------|------------|

Total Repair Kits

| ORDERING CODE | KIT NO. | SIZE | LIST PRICE |
|---------------|------------|-------------|------------|
| 0887298 | RK 009-T | 1/4" - 1/2" | \$123.00 |
| 0888527 | RK 009M3-T | 3/4" | 126.50 |
| 0887302 | RK 009M2-T | 3/4" | 126.50 |
| 0887283 | RK 009-T | 3/4" - 1" | 204.00 |
| 0887793 | RK 009M2-T | 1" | 196.50 |

Kit consists of: relief valve repair kit, first check repair kit, second check repair kit, retainer (if plastic)

Relief Valve Kits

Total Relief Valve Kits

| ORDERING CODE | KIT NO. | SIZE | LIST PRICE |
|---------------|------------------|-------------|------------|
| 0887294 | RK 009 VT | 1/4" - 1/2" | \$88.75 |
| 0887509 | RK SS009 VT | 1/2" | 90.25 |
| 0887002 | RK 009M2 VT | 3/4" | 111.00 |
| 0887520 | RK SS009M2/M3 VT | 1/4" - 3/4" | 113.50 |
| 0888524 | RK 009M3 VT | 3/4" | 111.00 |
| 0887015 | RK 009 VT | 3/4" - 1" | 158.00 |
| 0887503 | RK SS009VT | 1" | 155.00 |
| 0887785 | RK 009M2 VT | 1" | 152.00 |

Kit consists of: seat, seat O-ring, stem & diaphragm assembly, stem O-ring, cover O-ring and RV spring.

Relief Valve Rubber Parts Kits

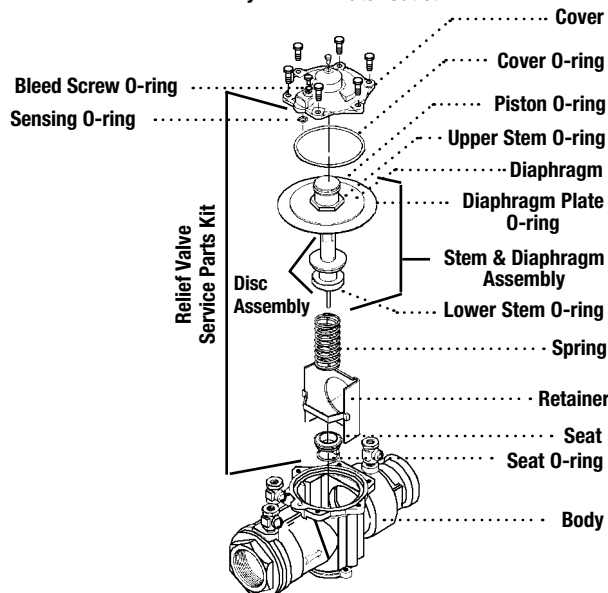
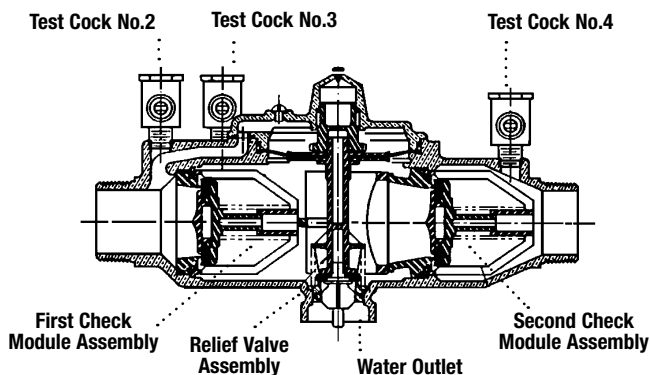
| ORDERING CODE | KIT NO. | SIZE | LIST PRICE |
|---------------|------------------|-------------|------------|
| 0887295 | RK 009 RV | 1/4" - 1/2" | 38.00 |
| 0887510 | RK SS009 RV | 1/2" | 39.00 |
| 0886998 | RK 009M2 RV | 3/4" | 43.00 |
| 0887519 | RK SS009M2/M3 RV | 1/4" - 3/4" | 46.00 |
| 0888523 | RK 009M3 RV | 3/4" | 43.00 |
| 0887181 | RK 009 RV | 3/4" - 1" | 44.50 |
| 0887529 | RK SS009 RV | 3/4" - 1" | 46.00 |
| 0887786 | RK 009M2 RV | 1" | 43.00 |

Kit consists of: diaphragm, disc assembly, stem O-rings, seat O-ring and cover O-ring.

Total Rubber Parts Kits

| ORDERING CODE | KIT NO. | SIZE | LIST PRICE |
|---------------|---------------|-------------|------------|
| 0887297 | RK 009 RT | 1/4" - 1/2" | 60.25 |
| 0887511 | RK SS009 RT | 1/2" | 61.50 |
| 0886999 | RK 009M2 RT | 3/4" | 64.25 |
| 0887521 | RK SS009M2 RT | 1/4" - 3/4" | 69.00 |
| 0888597 | RK SS009M3 RT | 1/4" - 3/4" | 69.00 |
| 0888526 | RK 009M3 RT | 3/4" | 66.75 |
| 0887182 | RK 009 RT | 3/4" - 1" | 66.75 |
| 0887530 | RK SS009 RT | 1" | 69.00 |
| 0887787 | RK 009M2 RT | 1" | 64.25 |

Kit consists of: diaphragm, two disc assemblies, stem O-rings, cover O-ring, two seat O-rings and RV seat O-ring.



| ORDERING CODE | KIT NO. | SIZE | LIST PRICE |
|---------------|---------|------|------------|
|---------------|---------|------|------------|

Cover Kits

| ORDERING CODE | KIT NO. | SIZE | LIST PRICE |
|---------------|-----------------|-------------|------------|
| 0794044 | LFRK 009 C | 1/4" - 1/2" | \$56.75 |
| 0887500 | RK SS009 C | 1/2" | 160.00 |
| 0887013 | RK 009 C | 3/4" - 1" | 90.25 |
| 0887501 | RK SS009M2/M3 C | 1/4" - 3/4" | 178.00 |
| 0794045 | LFRK 009M2/M3 C | 3/4" | 63.00 |
| 0887502 | RK SS009 C | 1" | 258.50 |
| 0794046 | LFRK 009M2 C | 1" | 100.00 |

Kit consists of: cover and cover O-ring.

*The wetted surface of this product contacted by consumable water contains less than 0.25% of lead by weight.

Series 009, LF009

Reduced Pressure Zone Assemblies

Sizes 1/4" – 2"

Check valve kits

When ordering specify Ordering Code, Kit No., and Valve Size.

1/4" – 1"

| ORDERING CODE | KIT NO. | SIZE | LIST PRICE |
|---------------|---------|------|------------|
|---------------|---------|------|------------|

First Check Kits

| | | | |
|---------|----------------|-------------|---------|
| 0887291 | RK 009 CK1 | 1/4" – 1/2" | \$38.00 |
| 0887505 | RK SS009 CK1 | 1/2" – 3/4" | 39.00 |
| 0887000 | RK 009M2 CK1 | 3/4" | 31.75 |
| 0887515 | RK SS009M3 CK1 | 1/4" – 3/4" | 32.25 |
| 0888520 | RK 009M3 CK1 | 3/4" | 31.75 |
| 0887005 | RK 009 CK1 | 3/4" – 1" | 60.00 |
| 0887009 | RK 009 CK1SS | 3/4" – 1" | 222.00 |
| 0887525 | RK SS009 CK1 | 1" | 58.75 |
| 0887789 | RK 009 M2 CK1 | 1" | 57.75 |

Kit consists of: check assembly and cover O-ring.

Second Check Kits

| | | | |
|---------|----------------|-------------|--------|
| 0887292 | RK 009 CK2 | 1/4" – 1/2" | 37.00 |
| 0887506 | RK SS009 CK2 | 1/2" – 3/4" | 37.75 |
| 0887001 | RK 009M2 CK2 | 3/4" | 26.00 |
| 0887516 | RK SS009M3 CK2 | 1/4" – 3/4" | 26.50 |
| 0888521 | RK 009M3 CK2 | 3/4" | 26.00 |
| 0887007 | RK 009 CK2 | 3/4" – 1" | 54.50 |
| 0887011 | RK 009 CK2SS | 3/4" – 1" | 191.00 |
| 0887526 | RK SS009 CK2 | 1" | 53.50 |
| 0887790 | RK 009M2 CK2 | 1" | 52.50 |

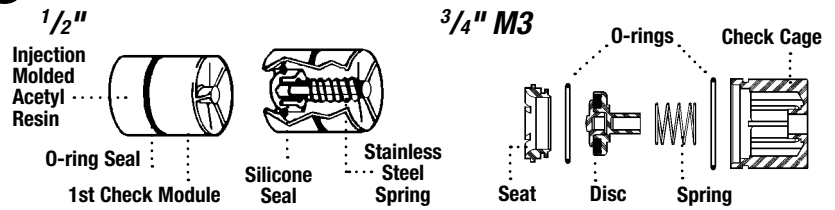
Kit consists of: check assembly and cover O-ring.

Check Rubber Parts

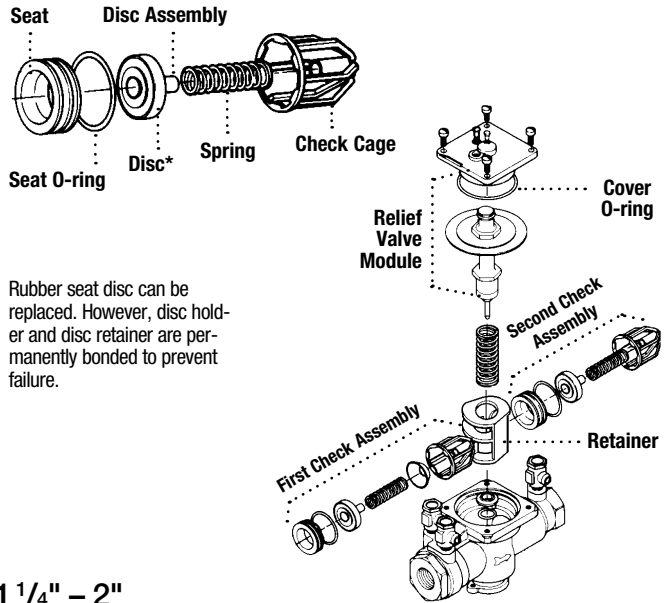
| | | | |
|---------|----------------|-------------|-------|
| 0887293 | RK 009 RC3 | 1/4" – 1/2" | 22.50 |
| 0887507 | RK SS009 RC1 | 1/2" – 3/4" | 23.00 |
| 0887508 | RK SS009 RC2 | 1/2" – 3/4" | 23.00 |
| 0887003 | RK 009M2 RC3 | 3/4" | 21.50 |
| 0888595 | RK SS009M3 RC1 | 1/4" – 3/4" | 23.00 |
| 0888596 | RK SS009M3 RC2 | 1/4" – 3/4" | 23.00 |
| 0888522 | RK 009M3 RC3 | 3/4" | 21.50 |
| 0887017 | RK 009 RC1 | 3/4" – 1" | 11.25 |
| 0887180 | RK 009 RC2 | 3/4" – 1" | 11.25 |
| 0887527 | RK SS009 RC1 | 1" | 11.50 |
| 0887528 | RK SS009 RC2 | 1" | 11.50 |
| 0887791 | RK 009M2 RC1 | 1" | 11.00 |
| 0887792 | RK 009M2 RC2 | 1" | 11.00 |

Kit consists of: disc, cover O-ring and seat O-ring.

CHECK ASSEMBLIES



1" – 2"



Rubber seat disc can be replaced. However, disc holder and disc retainer are permanently bonded to prevent failure.

1 1/4" – 2"

| ORDERING CODE | KIT NO. | SIZE | LIST PRICE |
|---------------|---------|------|------------|
|---------------|---------|------|------------|

First Check Kits

| | | | |
|---------|----------------|-----------------|----------|
| 0887300 | RK 009M2 CK1 | 1 1/4" – 1 1/2" | \$110.00 |
| 0887270 | RK 009M1 CK1 | 1 1/4" – 2" | 120.00 |
| 0887006 | RK 009 CK1 | 1 1/4" – 2" | 122.00 |
| 0887010 | RK 009 CK1SS | 1 1/4" – 2" | 317.00 |
| 0887272 | RK 009M1 CK1SS | 1 1/4" – 2" | 304.50 |
| 0887540 | RK 009M2 CK1 | 2" | 117.50 |

Kit consists of: first check assembly, cover O-ring and sensing passage O-ring.

Second Check Kits

| | | | |
|---------|----------------|-----------------|--------|
| 0887301 | RK 009M2 CK2 | 1 1/4" – 1 1/2" | 102.50 |
| 0887271 | RK 009M1 CK2 | 1 1/4" – 2" | 106.50 |
| 0887008 | RK 009 CK2 | 1 1/4" – 2" | 108.50 |
| 0887012 | RK 009 CK2SS | 1 1/4" – 2" | 273.50 |
| 0887273 | RK 009M1 CK2SS | 1 1/4" – 2" | 263.00 |
| 0887541 | RK 009M2 CK2 | 2" | 104.50 |

Kit consists of: second check assembly, cover O-ring and sensing passage O-ring.

First Check Rubber Parts Kits

| | | | |
|---------|--------------|-----------------|-------|
| 0887304 | RK 009M2 RC1 | 1 1/4" – 1 1/2" | 23.25 |
| 0887274 | RK 009M1 RC1 | 1 1/4" – 2" | 27.75 |
| 0887018 | RK 009 RC1 | 1 1/4" – 2" | 41.00 |
| 0887542 | RK 009M2 RC1 | 2" | 24.50 |

Kit consists of: first check assembly O-ring, disc holder assembly, cover O-ring and sensing passage O-ring.

Second Check Rubber Parts Kits

| | | | |
|---------|--------------|-----------------|-------|
| 0887305 | RK 009M2 RC2 | 1 1/4" – 1 1/2" | 23.25 |
| 0887275 | RK 009M1 RC2 | 1 1/4" – 2" | 27.75 |
| 0887183 | RK 009 RC2 | 1 1/4" – 2" | 41.25 |
| 0887543 | RK 009M2 RC2 | 2" | 24.50 |

Kit consists of: second check assembly O-ring, disc holder assembly, cover O-ring and sensing passage O-ring.

*The wetted surface of this product contacted by consumable water contains less than 0.25% of lead by weight.

2

Reduced Pressure Zone Assemblies