

Series 957, 957RPDA, LF957RPDA

Reduced Pressure Zone Assemblies
 Reduced Pressure Detector Assemblies

Sizes 2 1/2" – 10"

Relief Valve Kits

When ordering specify Ordering Code, Kit No., and Valve Size.

ORDERING CODE	KIT NO.	SIZE	LIST PRICE
---------------	---------	------	------------

Relief Valve Total Kits

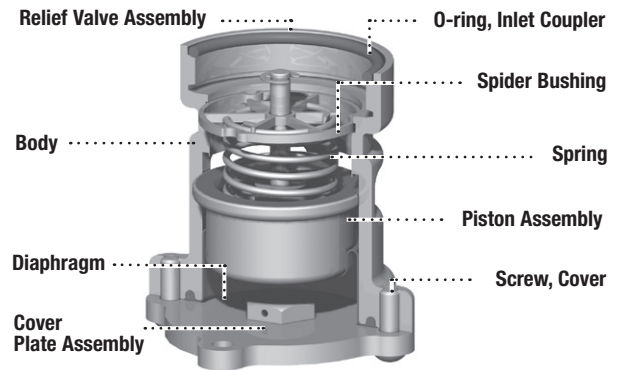
LEAD FREE	0899232	RK 957/957RPDA VT	2 1/2" – 10"	\$733.00
------------------	---------	-------------------	--------------	----------

Kit consists of: complete relief valve assembly.

Relief Valve Rubber Parts Kits

LEAD FREE	0899236	RK 957/957RPDA RV	2 1/2" – 10"	\$207.50
------------------	---------	-------------------	--------------	----------

Kit consists of: diaphragm, inlet coupler O-ring and piston assembly.



2

Reduced Pressure Zone Assemblies

*The wetted surface of this product contacted by consumable water contains less than 0.25% of lead by weight.

Series 957, 957RPDA, LF957RPDA

Reduced Pressure Zone Assemblies Reduced Pressure Detector Assemblies

Sizes 2 1/2" – 10"

Check valve kits

When ordering specify Ordering Code, Kit No., and Valve Size.

ORDERING CODE	KIT NO.	DISC	SIZE	LIST PRICE
---------------	---------	------	------	------------

First Check Kits

7018129	RK 957/957RPDA CK1	EPDM	2 1/2" – 4"	\$331.00
0889370	RK 957/957RPDA CK1-RS	Red Silicone	2 1/2" – 4"	331.00
7018132	RK 957/957RPDA CK1	EPDM	6"	491.50
0889374	RK 957/957RPDA CK1-RS	Red Silicone	6"	491.50
7018135	RK 957/957RPDA CK1	Red Silicone	8"	782.00
0899215	RK 957/957RPDA CK1	Red Silicone	10"	1,061.00

Kit consists of: first check module, check module O-ring and disc elastomer.

Second Check Kits

0899216	RK 957/957RPDA CK2	EPDM	2 1/2" – 4"	312.50
0889371	RK 957/957RPDA CK2-RS	Red Silicone	2 1/2" – 4"	312.50
0899217	RK 957/957RPDA CK2	EPDM	6"	434.00
0889375	RK 957/957RPDA CK2-RS	Red Silicone	6"	434.00
0899218	RK 957/957RPDA CK2	Red Silicone	8"	719.50
0899219	RK 957/957RPDA CK2	Red Silicone	10"	904.50

Kit consists of: second check module, check module O-ring and disc elastomer.

First or Second Check Rubber Parts Kits

0899220	RK 957/957RPDA RC4	EPDM	2 1/2" – 4"	40.75
0889372	RK 957/957RPDA RC4-RS	Red Silicone	2 1/2" – 4"	40.75
0899221	RK 957/957RPDA RC4	EPDM	6"	52.00
0889376	RK 957/957RPDA RC4-RS	Red Silicone	6"	52.00
0899222	RK 957/957RPDA RC4	Red Silicone	8"	72.75
0899223	RK 957/957RPDA RC4	Red Silicone	10"	163.00

Kit consists of: check module O-ring, disc elastomer and E-clip.

Check Sleeve Cover Kits

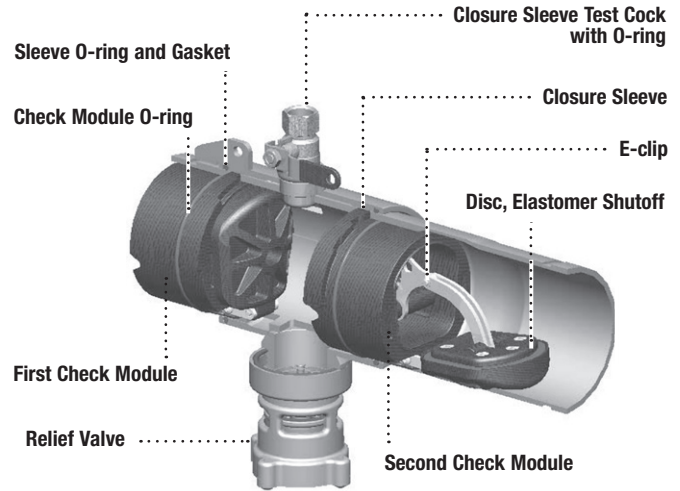
0899240	RK 957/957RPDA C		2 1/2" – 4"	395.50
0899241	RK 957/957RPDA C		6"	531.00
0899242	RK 957/957RPDA C		8"	907.00
0899243	RK 957/957RPDA C		10"	1,107.00

Kit consists of: closure sleeve, sleeve O-ring and gasket.

Total Rubber Parts Kits

0899244	RK 957/957RPDA RT	EPDM	2 1/2" – 4"	278.00
0889373	RK 957/957RPDA RT-RS	Red Silicone	2 1/2" – 4"	278.00
0899245	RK 957/957RPDA RT	EPDM	6"	299.00
0889377	RK 957/957RPDA RT-RS	Red Silicone	6"	299.00
0899246	RK 957/957RPDA RT	Red Silicone	8"	340.50
0899247	RK 957/957RPDA RT	Red Silicone	10"	559.50

Kit consists of: 1st and 2nd check module O-ring, (2) disc elastomer, (2) E-clips, relief valve diaphragm, relief valve inlet coupler O-ring and relief valve piston assembly.



2

Reduced Pressure Zone Assemblies

*The wetted surface of this product contacted by consumable water contains less than 0.25% of lead by weight.