

SUBMITTAL SHEET

| | |
|-------------------|-------------|
| JOB NAME | ITEM TAG |
| JOB LOCATION | PART NUMBER |
| CONTRACTOR | DATE |
| ENGINEER APPROVAL | DATE |

NO LEAD BRASS PRESS-TO-CONNECT x STEEL FLANGE

LegendPress® x Flange Adapter

Press-type end connections eliminate the need for soldering, reducing labor and material costs and eliminating the fire hazard associated with the process.

Press-to-connect connections are designed for installation onto ASTM B88 types K, L and M hard-drawn copper tubing.

When un-pressed the o-rings create leak paths during the pressure test, to quickly identify an un-pressed joint.

Available in nominal tubing sizes 1" to 4".

1" to 2" sizes use VUS profile jaws, and 2-1/2" to 4" sizes use XL-C profile jaws.

Working Pressure, Non Shock (PSI)

| | |
|------------------------------|--------------------------------|
| Cold working pressure (CWP): | 200 psi @ 73°F |
| Saturated steam (WSP): | Not suitable for steam service |
| Operating temperature range: | 0°F to 250°F |

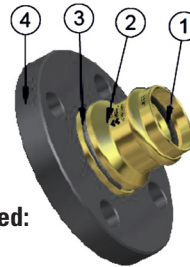
Pictured:

Small Diameter Flange



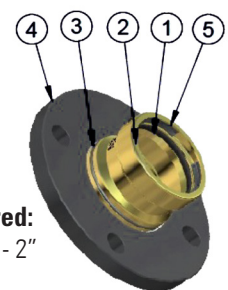
Pictured:

Small Diameter Flange



Pictured:

1" - 2"

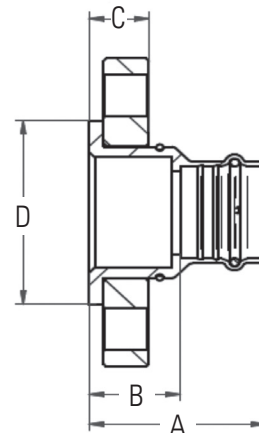


Pictured:

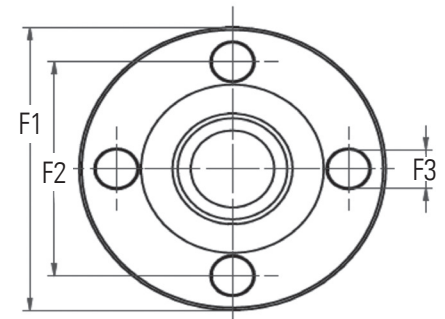
2 1/2" - 2"

| MATERIAL SPECIFICATION | |
|---------------------------|-----------------------|
| PART | MATERIAL |
| 1 Press O-ring | EPDM Elastomer |
| 2 Press Adapter | Lead-free cast bronze |
| 3 Retaining clip | Stainless steel |
| 4 Flange | Steel |
| 5 Grip ring (2-1/2" - 4") | Steel |

| DIMENSIONS - Inch | | | | | |
|-------------------|------|------|------|------|-----------------|
| Size | A | B | C | D | Insertion Depth |
| 1" | 2.44 | 1.25 | 0.82 | 2.38 | 1-3/16" |
| 1-1/4" | 2.44 | 1.25 | 0.82 | 2.75 | 1-3/16" |
| 1-1/2" | 2.68 | 1.30 | 0.82 | 3.12 | 1-3/8" |
| 2" | 2.95 | 1.38 | 0.82 | 3.88 | 1-9/16" |
| 2-1/2" | 2.75 | 1.18 | 0.82 | 4.62 | 1-9/16" |
| 3" | 3.00 | 1.18 | 0.90 | 5.12 | 1-3/8" |
| 4" | 3.00 | 0.88 | 0.90 | 6.62 | 2-1/8" |



Pictured:
Cut-away View



Pictured:
Flange Details

Certifications/Listings:

NSF/ANSI 61: Drinking water system components - Health effects.
NSF/ANSI 372: Drinking water system components - Lead content

Standards:

ANSI/ASME B16.51: Copper and copper alloy press-connect pressure fittings.
ANSI/ASME B16.5: Flange and bolt dimensions for class 150 flanges.

| Class 150 Flange Data | | | |
|-----------------------|---------------------------|-------------------------|-----------------|
| (F1) Flange Diameter | (F2) Bolt Circle Diameter | (F3) Bolt Hole Diameter | Number of Bolts |
| 4.25 | 3.12 | 0.62 | 4 |
| 4.62 | 3.50 | 0.62 | 4 |
| 5.00 | 3.88 | 0.62 | 4 |
| 6.00 | 4.75 | 0.75 | 4 |
| 7.00 | 5.50 | 0.75 | 4 |
| 7.50 | 6.00 | 0.75 | 4 |
| 9.00 | 7.50 | 0.75 | 8 |