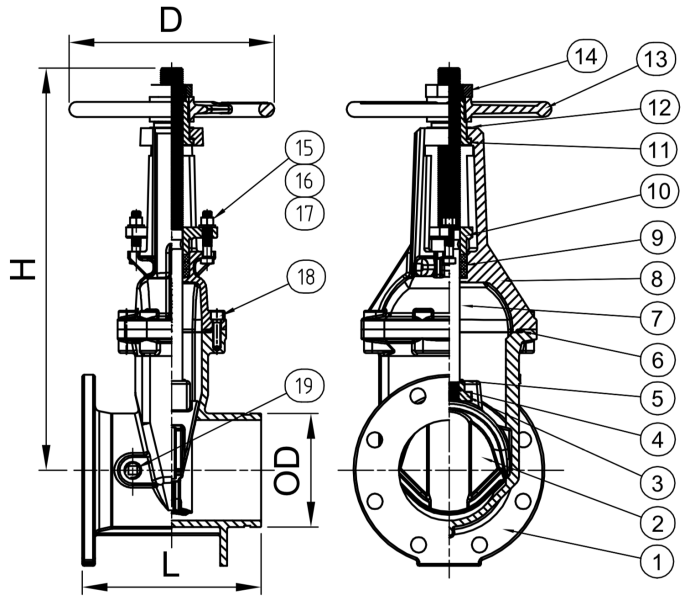
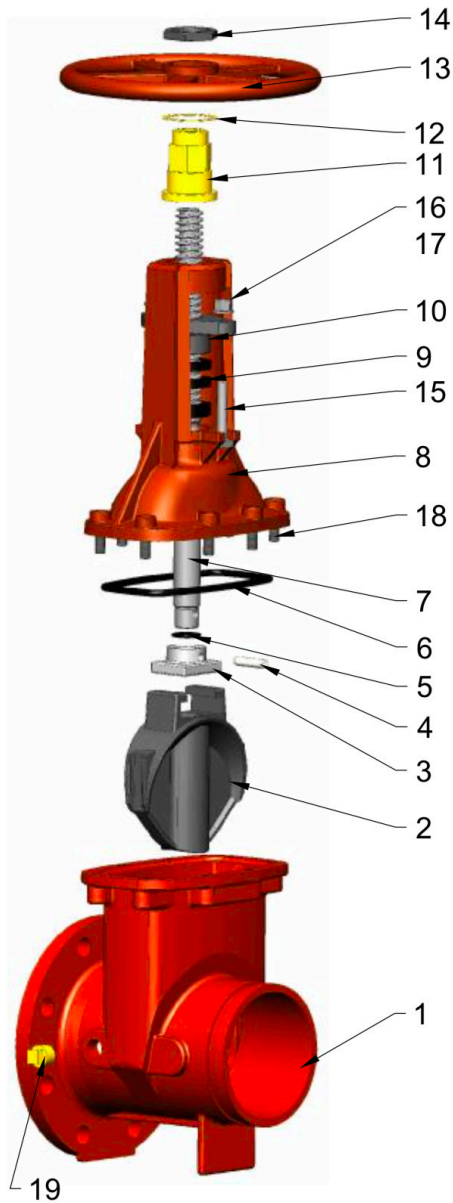


818 Series OS&Y Resilient Seated Gate Valve 2.5" - 12", FL × Grooved Ends



COMPONENTS

NO.	PART NAME	MATERIAL	ASTM SPECIFICATIONS
1	BODY	DUCTILE IRON	ASTM A536 65-45-12
2	WEDGE	DUCTILE IRON	EPDM ENCAPSULATED
3	WEDGE NUT	STAINLESS STEEL	AISI 304
4	PIN	STAINLESS STEEL	AISI 420
5	O-RING	RUBBER	EPDM
6	GASKET	RUBBER	EPDM
7	STEM	STAINLESS STEEL	AISI 304
8	BONNET	DUCTILE IRON	ASTM A536 65-45-12
9	PACKING	GRAPHITE	
10	GLAND	DUCTILE IRON	ASTM A536 65-45-12
11	YOKE NUT	BRONZE	ASTM C95200
12	WASHER	BRASS	
13	HANDWHEEL	DUCTILE IRON	ASTM A536 65-45-12
14	HANDWHEEL NUT	DUCTILE IRON	ASTM A536 65-45-12
15	BOLTS	STAINLESS STEEL	A2-70
16	NUTS	STAINLESS STEEL	A4-70
17	WASHERS	STAINLESS STEEL	AISI 304
18	BONNET BOLTS	STAINLESS STEEL	AISI 304
19	PLUG	MALLEABLE IRON	

DIMENSIONS

	(INCHES)							
SIZE	2 1/2"	3"	4"	5"	6"	8"	10"	12"
OD	2 7/8"	3 1/2"	4 1/2"	5 1/2"	6 1/2"	8 5/8"	10 3/4"	12 3/4"
L	7 1/2"	8"	9"	10"	10 1/2"	11 1/2"	13"	14"
H (OPEN)	16 5/8"	18 7/8"	21 5/8"	25 4/5"	29 1/8"	36 5/8"	44 1/2"	52"
H (CLOSED)	13 3/4"	15 3/4"	17 3/4"	20 7/8"	23 1/4"	28 3/4"	34 3/4"	40 1/6"
D	7 1/4"	10"	10"	12"	12"	14"	17 1/2"	17 1/2"