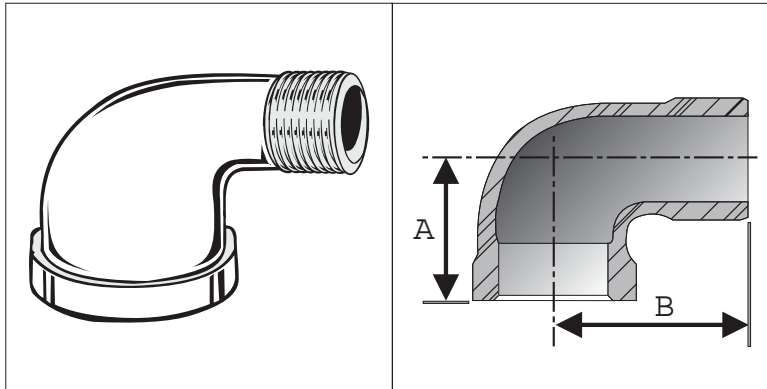


SUBMITTAL DATA SHEET

No-Lead 125LB Threaded Bronze Pipe Fittings 90° Bronze Street Elbow - 72291



A.Y. McDonald Mfg. Co. No-Lead Pipe Fittings & Nipples are constructed from heavy duty bronze and are rated for commercial, industrial and residential applications up to 125 WOG. Threads conform to ANSI B1.20.1 and fitting dimensions comply with ANSI B16.15.



Model Number	Size	Dimensions		Case Quantity Master	Case Quantity Inner	Weight Per Pcs.
		A	B			
72291	1/8"	0.55	0.91	600	5	0.07
72291	1/4"	0.71	1.10	600	5	0.10
72291	3/8"	0.83	1.22	300	5	0.14
72291	1/2"	1.02	1.50	200	5	0.24
72291	3/4"	1.18	1.65	100	5	0.33
72291	1"	1.42	1.97	75	5	0.69
72291	1 1/4"	1.69	2.24	40	5	1.06
72291	1 1/2"	1.85	2.44	35	5	1.28
72291	2"	2.13	2.87	20	2	1.95

SUBMITTAL INFORMATION

- No-Lead Bronze Alloy
- **Materials**
C89833, AWWA C800, ASTM B584
- **Fitting Dimensions**
ANSI B 16.15, Class 125
- **Union Dimensions**
WWW-U-516-B
- **Threads**
ANSI / ASME B1.20.1

NO-LEAD: The weighted average of the wetted surface of this no-lead product contacted by consumable water contains less than one quarter of one percent (0.25%) lead.



A.Y. McDonald Mfg. Co.
P.O. Box 508
Dubuque, IA 52004-0508

Toll Free: 1-800-292-2737
Fax: 1-800-832-9296
Hours: 7:00 a.m. - 5:00 p.m., CST

sales@aymcdonald.com
www.aymcdonald.com

A.Y. McDonald considers the information on this assembly drawing correct when published. Item and option availability, including specifications, are subject to change without notice.

Submitted by: