

# SUBMITTAL SHEET

JOB NAME \_\_\_\_\_ ITEM TAG \_\_\_\_\_

JOB LOCATION \_\_\_\_\_ PART NUMBER \_\_\_\_\_

CONTRACTOR \_\_\_\_\_ DATE \_\_\_\_\_

ENGINEER APPROVAL \_\_\_\_\_ DATE \_\_\_\_\_

## LEAD-FREE CURB STOP

### T-5300NL



**Pictured:**  
Model T-5300NL

Lead-free design is suitable for all no-lead potable water installations, in full compliance of the lead-free plumbing law. Pack-joint end connections provide the maximum pullout resistance.

90-degree operation with enclosed operating head stops.

Operating head has been drilled to accept stationary rod cotter pin attachment.

Full-port, ball-and-seat design is superior to plug-type designs.

Durable, Teflon\*-coated ball assures positive, bubble-tight shutoff, low torque operation and long service life.

For underground water service installations only, to permit shutoff of the water supply from the water main to the building.

Available in CTS nominal sizes 3/4" through 2".

- Third-party tested and certified in compliance with U.S. Federal Public Law 111-380 (National lead-free plumbing law).
- Certified lead-free and in compliance with NSF 372 lead content requirements.
- Manufactured to AWWA C800 specifications.
- Pack-joint end connections are designed to be installed onto the following tubing types:
  1. Types K or L copper water tubing compliant with ASTM B88
  2. Polyethylene plastic tubing compliant with ASTM D2737 SDR 9 (insert stiffener required).

#### Working Pressure, Non Shock (PSI)

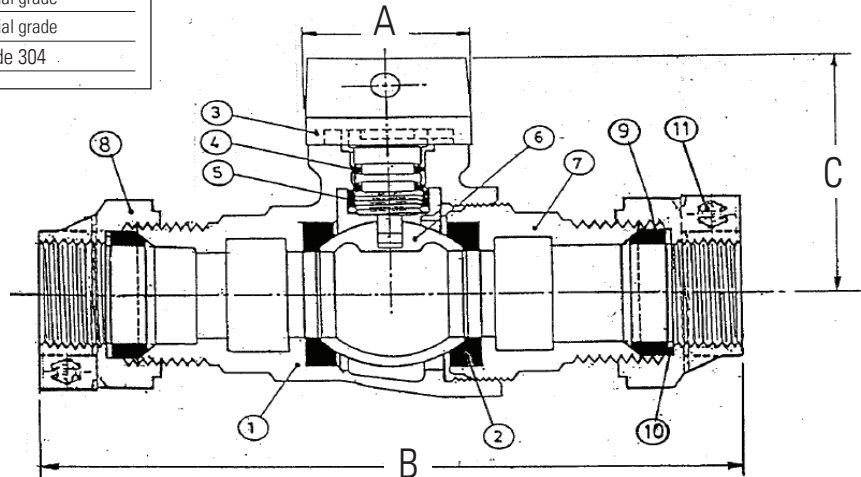
Cold working pressure (CWP): 300 psi - 100°F Max



MATERIAL SPECIFICATION		
PART	MATERIAL	SPECIFICATION
1 Body	Lead-free cast bronze	ASTM B584 - UNS C89836
2 Seats (2)	Buna-N (NBR) nitrilic rubber	Commercial grade
3 Operating head and stem	Lead-free cast bronze	ASTM B584 - UNS C89836
4 Stem O-rings (2)	Buna-N (NBR) nitrilic rubber	Commercial grade
5 Stem locknut	Lead-free cast bronze	ASTM B584 - UNS C89836
6 Ball	Teflon* coated lead-free cast bronze	ASTM B584 - UNS C89836
7 End adapter	Lead-free cast bronze	ASTM B584 - UNS C89836
8 Pack-joint nut	Cast bronze	ASTM B584 - UNS C83600
9 Pack-joint gasket (2)	Buna-N (NBR) nitrilic rubber	Commercial grade
10 Pack-joint anti-friction ring (2)	Nylon* resin	Commercial grade
11 Pack-joint clamp bolt (2)	Stainless steel	AISI grade 304

\*Teflon and Nylon are registered trademarks of DuPont.

DIMENSIONS			
Size	A	B	C
3/4"	1.61	6.50	2.69
1"	1.61	6.65	2.79
1-1/4"	1.61	7.06	2.84
1-1/2"	2.03	9.12	3.45
2"	2.03	10.37	3.64



**Pictured:**  
Model T-5300NL  
Cut-away